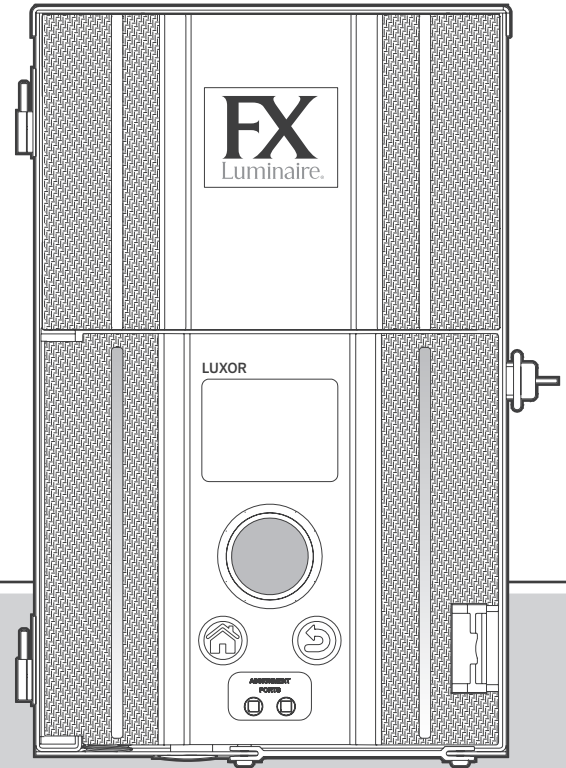


LUXOR®

OWNER'S MANUAL

ZD Technology®
ZDC Technology®



LED Landscape Lighting Controller
Owner's Manual and Installation Instructions
for the Luxor Controller

FXLuminaire®

Table of Contents

3	Luxor Controller Overview	13	Time/Date	26	Luxor Linking Setup
3	Luxor Controller Components	14	Language	26	Updating to Luxor Linking
4	Glossary of Terms	14	Location	27	Wired Connection for Satellite Controllers
4	Safety Information	15	Assign	28	Chassis Communication and Assignment
5	Installing the Luxor Transformer	15	Network	28	Wireless Communication and Assignment
5	Locating the Transformer	16	Backup	29	Care and Maintenance
5	Mounting the Transformer	16	How to Restore an Existing File	29	Regular Preventive Maintenance
8	Running Cable to the Fixtures	17	Assigning Light Fixtures into Groups	30	Troubleshooting
10	Low-Voltage Cable	18	Setting Up Programs	31	Firmware Updates
10	Cabling Methods	19	Calendar-Based Programming	33	Fuse Replacement
10	Connecting Cables at the Terminal Block	19	Themes	34	System Reset
11	Operating the Luxor Controller	20	Manual Mode	34	Facepack Reset
11	Navigating the Luxor Controller	21	Color	35	Database Reset
11	Home Screen	21	Color Palette	35	Chassis Indicator Lights
12	Activity Screen	22	Color Wheel	36	Warranty
12	Diagnostics Screen	23	Mixing FX Luminaire LED, ZD Technology, and ZDC Technology	38	Notes
13	Setup Screen	24	Using Other Devices with the Luxor Controller	41	Fixture Group Stickers*
		25	Disable		

*Use the stickers attached to the back of this guide to simplify group assignments when programming fixtures at the Luxor Controller facepack or with the Light Assignment Module.

The Luxor Controller is a lighting transformer capable of controlling groups of lights that are initiated by programmed events. These events are adjustments of light intensity at set times. All lights within a system are communicated with and powered via two-wire connections. All lights within a system communicate with the same two-wire connections that also power the system.



Note

The Luxor Controller is intended for use with FX Luminaire LED fixtures or devices containing FX Luminaire ZD Technology or ZDC Technology. Use of other fixtures is not recommended due to the absence of communication capabilities. It is not for use with incandescent fixtures.

Luxor Controller Components

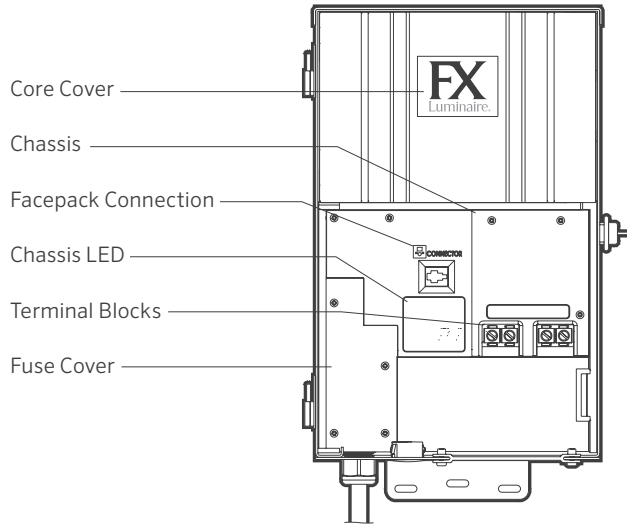


Figure 1: Luxor Controller

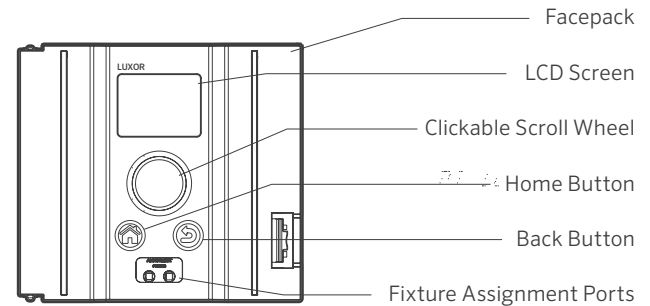


Figure 2: Luxor Facepack

Glossary of Terms

Group: An addressed set of lights that is designated numerically and controlled as a set by the controller

Theme: A predetermined set of groups, intensities, and colors called to action by the program or manual functions

Fixture/Luminaire: Light unit that contains an FX Luminaire LED board or device with FX Luminaire zoning, dimming, or color capabilities

Intensity: Value indicating the measurable amount of brightness, from 1% to 100%

Event: The initiation, adjustment, or conclusion of a selected theme or group with specific intensity and/or color settings

Duration: The length of time an event will run

Hue: The primary attribute of a color; it is represented by a numeric value between 0 and 359

Saturation: The richness of a color mixed with white light, from 0% to 100%

Color: The visual combination of hue and saturation

Primary Controller: Luxor Controller containing a facepack

Satellite Controller: Controller without a facepack

Safety Information

These cord-connected units consist of step-down, isolated, two-winding-type transformers, circuit breakers, and associated circuitry intended to supply power to low-voltage, submersible lighting fixtures.

WARNING — Risk of Electric Shock. Install the power unit 5' (1.5 m) or more from a pool or spa and 10' (3 m) or more from a fountain. Where the power unit is installed within 10' (3 m) of a pool or spa, connect power unit to a GFCI-protected branch circuit. Do not use an extension cord when connecting the power unit to the 120 V source. The grounding conductor shall be 12 AWG (2.05 mm) minimum. The outdoor power unit shall be connected to a GFCI-protected, hooded, flush-type cover plate receptacle marked “Wet Location” while in use.

Caution: The supply circuit for the landscape lighting system shall be protected by a Class A-type ground fault circuit interrupter, unless it is provided with the landscape lighting system. This device is accepted as a component of a landscape lighting system where the suitability of the combination shall be determined by local inspection authorities having jurisdiction. Do not connect two or more power supplies in parallel. Not for use in dwelling units. This presents a risk of fire. Do not place insulation under the terminal plate. Check the connector after installation.

Circuit Protection

- 12.5 A for a 150 W controller
- 22 A for a 300 W controller

Locating the Transformer

1. Locate the transformer in a well-ventilated area away from direct irrigation spray and central to the proposed installation site of the majority of the lighting fixtures. The primary goal is to minimize the length of cable runs from the transformer to the lighting fixtures, which minimizes voltage drop and cable size. A common mistake is to locate the single transformer on the service side of the house or in the garage, which might result in excessively long cable runs to reach lighted areas. Transformers with power cords must be located adjacent to a 120 V, GFCI-protected exterior electrical receptacle. If a 120 V power source is not available at the desired transformer installation location, hire a licensed electrician to run a dedicated 120 V, 15 A circuit to the desired location. For international Luxor Controller models, the previously mentioned information applies for 230 V, 10 A circuits.
2. Test all existing receptacles with both a receptacle tester and a digital voltmeter or amp clamp to verify proper wiring and voltage at the receptacle.

Mounting the Transformer

Wall-Mount Installation

1. Install all transformers a minimum of 12" (30.5 cm) above the finish grade, as measured from finish grade to the bottom of the transformer and according to code.
2. Drill pilot holes into the mounting surface, insert anchors, and install screws into the anchors, leaving approximately 1/8" (3 mm) of the thread exposed on the screw. Mount the transformer on the screw.

3. Use a level and a pencil to determine and mark locations for the bottom anchors. Remove the transformer from the wall. Drill the anchor holes and install the anchors.
4. Place the transformer back on top of the uppermost mounting screw. Then install the screws into the anchors at the bottom of the transformer to secure it to the wall.

Post-Mount Installation

5. Install a pressure-treated 4" x 4" x 36" (10 cm x 10 cm x 92 cm) or larger post in concrete footing.
6. Repeat the wall-mount installation instructions (Figure 3 on page 6) without using wall anchors.

For additional information regarding installation techniques, visit fxl.com and click on the Professionals tab.

All Luxor Controllers come equipped with a 5' (1.5 m), 12 AWG (2.05 mm), three-prong electrical power cord. Only use the Luxor power cord in conjunction with a GFCI-protected, 120 V exterior receptacle (or 230 V receptacle for international/export version).



Note

When installing the Luxor Wi-Fi Module, consider increasing the installation height to improve signal strength and screen visibility.

Installing the Luxor Transformer

Figure 3: Wall mounting

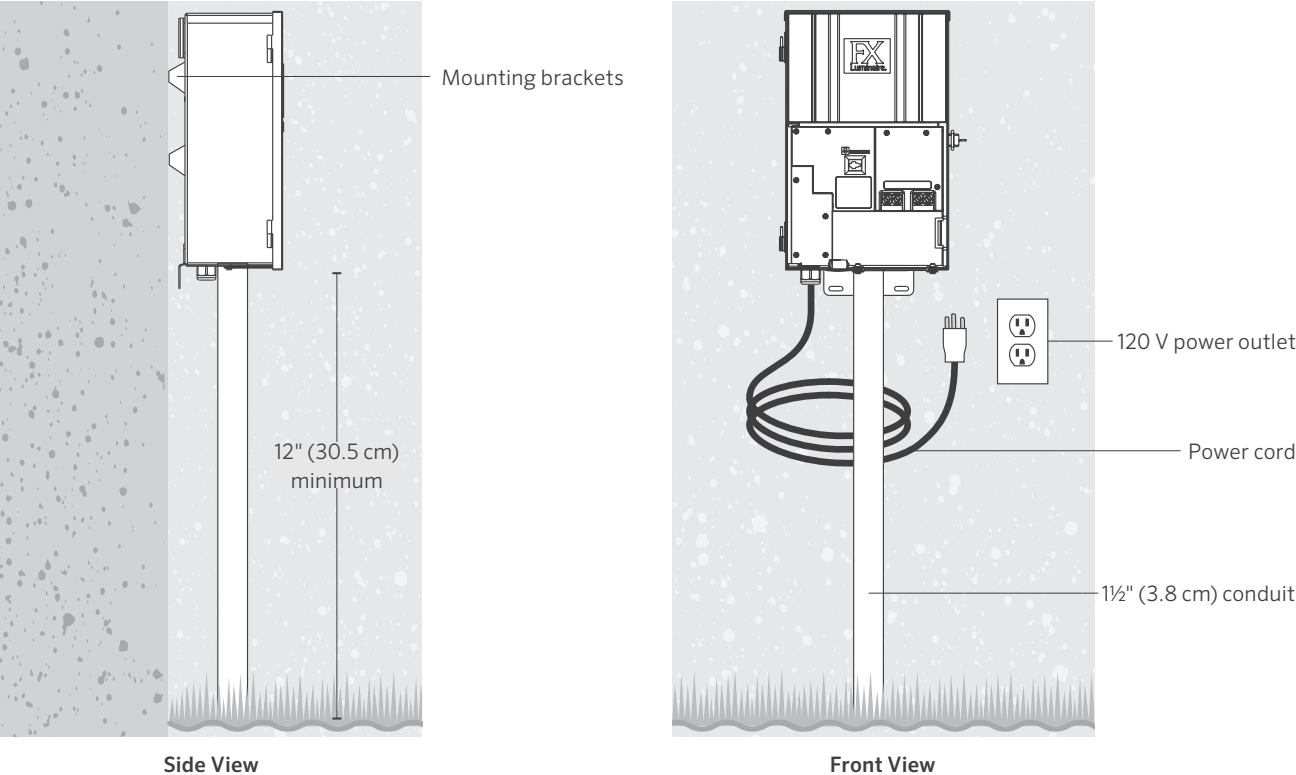
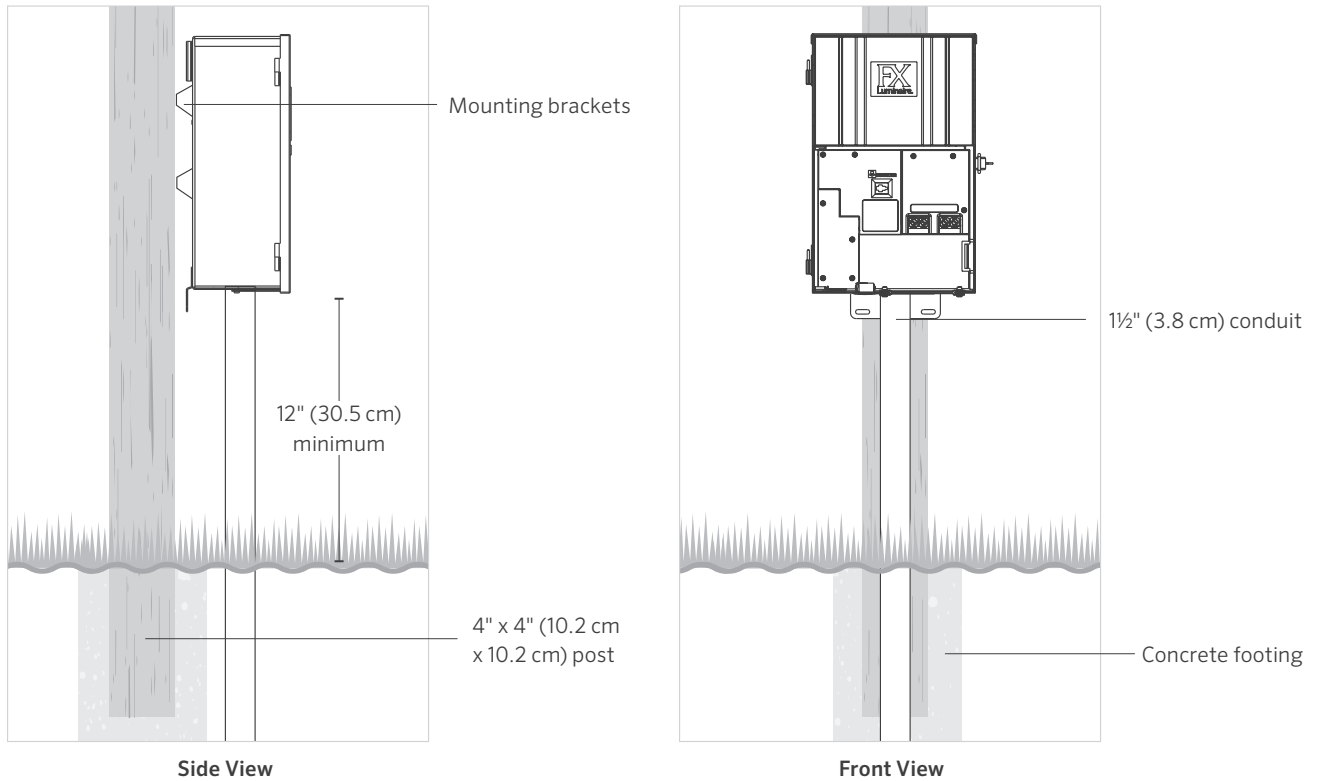


Figure 4: Post mounting



Installing the Luxor Transformer

Running Cable to the Fixtures

After you install the transformer and determine all fixture locations, run a correctly sized cable from the transformer to the fixtures. FX Luminaire LED fixtures require between 10 and 15 V for optimal operation and longevity. This is accomplished by the following:

1. Group fixtures into distance zones as illustrated below. Do not include a fixture that is 10' (3 m) away from the transformer on the same cable run as one that is 100' (30 m) away.
2. Use the proper cabling method for the application. Center-load all cable runs to minimize the voltage differential between fixtures.
3. Use a correctly sized cable to accommodate voltage drop. As a general best practice, limit the wattage load per cable run to no more than 160 W.

CIRCUITING GUIDELINES

Loads Per Cable

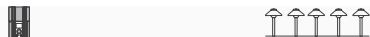


Close Zone: 0 to 40' (0 to 12.2 m)

12 AWG (2.05 mm): 160 W max.

10 AWG (2.59 mm): 180 W max.

8 AWG (3.26 mm): 220 W max.

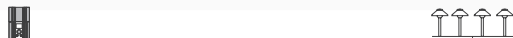


Mid Zone: 40 to 80' (12.2 to 24.4 m)

12 AWG (2.05 mm): 120 W max.

10 AWG (2.59 mm): 140 W max.

8 AWG (3.26 mm): 200 W max.

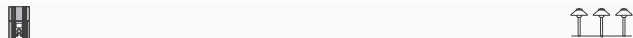


Far Zone: 80 to 120' (24.4 to 36.6 m)

12 AWG (2.05 mm): 100 W max.

10 AWG (2.59 mm): 120 W max.

8 AWG (3.26 mm): 180 W max.



Out There Zone: 120 to 160' (36.6 to 54.9 m)

12 AWG (2.05 mm): 60 W max.

10 AWG (2.59 mm): 100 W max.

8 AWG (3.26 mm): 160 W max.

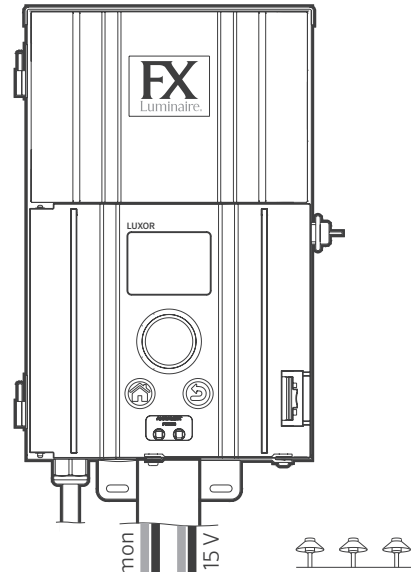
Summary

For maximum light output and LED life, each luminaire should be provided with 10 to 15 VAC (ZD) and 11 to 15 VAC (ZDC).

Cable Stats

Low-voltage lighting systems are typically installed using stranded, direct-burial-rated cable. The most common cable used is 12/2 AWG (2.05 mm) stranded cable. The size of cable used in wiring the lighting system will be determined by the wattage load and length of cable run from the transformer to the lighting fixtures.

It is very important to note that all low-voltage cable has a maximum rating. Overloading cable can create a dangerous safety hazard, so be sure to choose the right cable size for your lighting system.



Watts shown are per 12 AWG (2.05 mm) cable. Install additional cable runs as needed to complete the project. To increase the maximum wattage, run 8 AWG (3.26 mm) or double 12 AWG (2.05 mm) to the first fixture in the zone. Use a digital voltmeter to fine-tune circuits.

Out There Zone:
120 to 160'
(36.6 to 54.9 m)
LED 110 W max.

15 V tap

Figure 5: Wiring example

Installing the Luxor Transformer

Low-Voltage Cable

Each low-voltage lighting cable consists of two parts. The part of the cable that carries the voltage load is referred to as the Common lead. The Common lead is installed into one of the two COM terminal blocks. The other wire lead is installed into one of the two lugs labeled 15 V. Voltage is carried out from the transformer to the fixtures via the Common side of the cable and returns back to the transformer 15 V tap via the other half of the cable to complete the circuit.

Cabling Methods

Within each cabling zone, you may utilize several cabling methods. The primary objective is to minimize voltage drop by installing a properly sized feeder cable (home run) to each zone, and to make sure all fixtures with ZD Technology on each cable run are receiving 10 to 15 V (or 11 to 15 V for fixtures with ZDC Technology).

Connecting Cables at the Terminal Block

Transformer terminal block: The Luxor Controller includes two Common lugs and two 15 V lugs.

Common Lugs: One conductor from each cable run coming from the lights to the transformer must be connected to one of the common lugs. The other conductor will be installed into the 15 V hot lug.

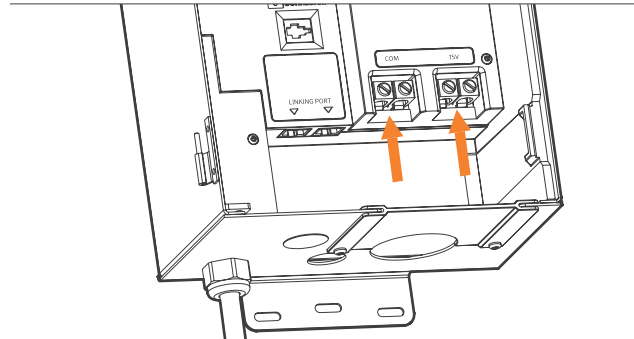


Figure 6: Output terminal blocks

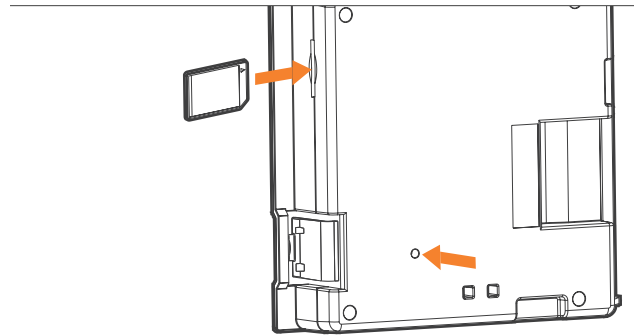


Figure 7: Back of facepack showing SD card and reset button

Navigating the Luxor Controller

The Luxor Controller contains only three user interface elements:

- **Home** button: Opens main screen while on any other function
- **Help** button: Navigates to previous screen
- Clickable scroll wheel: Primary interaction and selection tool

Home Screen

All functions on the controller are accessible through the **Home** screen. The default display on the **Home** screen displays the following:

- Current time
- Current date
- Sunrise/sunset for the current day (dependent on location; see **Set Location**)
- All category options

All category options are located on the right side of the **Home** screen and are selected using the main scroll wheel. Turn the scroll wheel clockwise or counterclockwise until the desired category is highlighted in light blue. Press the scroll wheel inward to select and enter the desired category.

- While in any screen, to return to the **Home** screen.
- While in any screen, press the **Home** button to return to the **Home** screen.

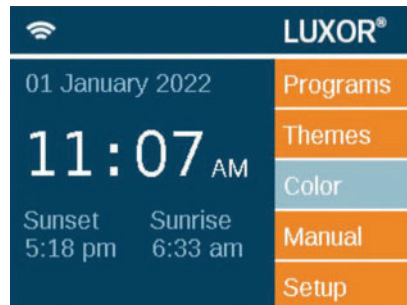


Figure 8: Home screenshot

Activity Screen

After five minutes of inactivity, an **Activity** screen will appear on the LCD screen if the lights are running. The wait time is reduced to only five seconds when the current screen is the **Home** screen.

The **Activity** screen displays:

- Chassis load: Amp load of controller chassis. Chassis 1-10 are displayed. Only chassis with an active load will display an orange load bar.
- Current time
- Source of transformer load: Manual or Schedule

You cannot make selections on this screen; it is simply an activity display. Press the **Home** button to return to the **Home** screen.

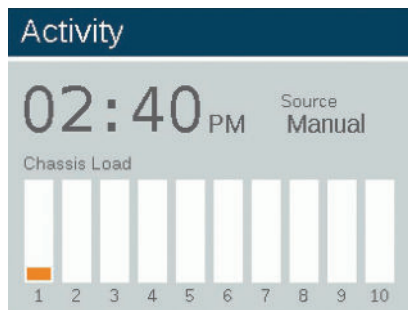


Figure 9: Activity screenshot

Diagnostics Screen

Assigned: Controller assigned

Communicating: Controller communicating

Overload: Controller overload indication

Load Status: Controller load as a percentage

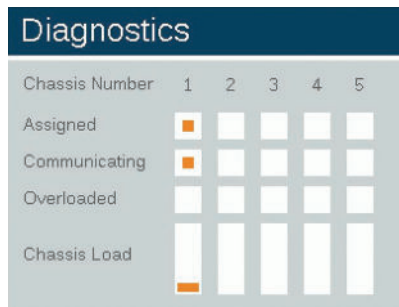


Figure 10: Diagnostics screenshot

Setup Screen

All background tools and settings (except color) are accessible in the **Setup** screen. Scroll through the various options to set up the controller.

Time/Date

- Set the three time categories (Hr:Min:Sec) to the current time settings by pushing the scroll wheel when the appropriate field is highlighted, scrolling through the numeric options, and pressing the scroll wheel again to finalize the selection.
- Turn past 12 on the hour (“Hr”) setting to adjust a.m. and p.m., as displayed next to the seconds (“Sec”).
- To convert clock to 24-hour convention, select the “24hr” selection box.
- Set the three date categories (Month, Day, Year) to the current date by pushing the scroll wheel when the appropriate field is highlighted, scrolling through the options, and pressing the scroll wheel again to finalize the selection.
- Setting the month, day, and year automatically sets the day of the week, which appears to the right of the year.
- When activated, Daylight Saving Time (DST), will adjust the time forward or backward by one hour at the appropriate dates each year. To initiate it, select **On**. To deactivate it, select **Off**.
- Select **Auto** to sync the controller time clock every 24 hours.

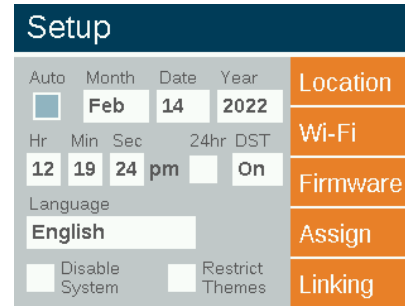


Figure 11: Setup screenshot

Operating the Luxor Controller

Language

In the **Setup** screen, select the language field by pressing the scroll wheel and turning it to the desired language. Press the scroll wheel again to finalize the selection.

- The language change will not take effect until either the **Back** or the **Home** buttons are pressed.

Location

The **Location** menu is designed to graphically represent a controller's location on a map for accurate sunrise and sunset times based on the current date, time zone, and longitude/latitude settings.

First, select **Location** from the **Setup** screen. While in the Location screen, select **Region**. Once region is selected, scroll to **Time Zone** and select the current time zone.

If latitude and longitude coordinates are known, enter the values in the **Lat** and **Long** fields. To set latitude and longitude using the map feature, scroll to **Map** and press the scroll wheel.

- The full-screen crosshairs designate the user's location on the map. The map will change based on the selected region.
- Latitude is first adjusted by rotating the scroll wheel to move the crosshairs up and down. Numeric indicators at the top right area of the screen will display the actual coordinate. Press the scroll wheel to select the latitude; it is set by pressing the click wheel.
- Next, adjust the longitude by rotating the scroll wheel to move the crosshairs left and right.

- The coordinate settings are automatically saved after each press of the scroll wheel. Select the **Home** button to leave the **Location** screen.
- To initiate a reset or adjustment, press the scroll wheel and repeat the steps listed for setting latitude and longitude.



Figure 12: Location Screen



Figure 13: Location map of the United States

Assign

When compatible fixtures are plugged into the fixture programming ports, the assign screen will automatically display. The **Assign** screen is also accessible under the **Setup** menu.

Network

By default, the LAN tab will be displayed. The Wi-Fi or label will be displayed when the FX Luminaire Wi-Fi Module is inserted into the accessory port in the back of the facepack. For more information on using the Wi-Fi, refer to the separate owner's manual for Luxor Accessories.



fxl.com/luxor-documents

Restrict

The restrict function prevents changes to themes.

1. From the **Home** screen, navigate to the **Setup** and select **Restrict Themes** screens using the scroll wheel.
2. To remove the restriction, deselect **Restrict Themes**.

Backup

The backup function saves all information entered into the controller, including programs, themes, colors, and setup data. To create a backup file for your Luxor Controller, follow the steps below.

1. Insert an SD card into the side of the facepack with the pins facing toward the front of the facepack.
2. From the **Home** screen, navigate to the **Setup** and then **Firmware** screens using the scroll wheel.
3. Navigate to **Backup** using the scroll wheel.
4. Input a file name for the backup file. You do not need to use all available spaces.
5. Press **Backup**.
6. After backup is successful, press the SD card inward and then release to remove the card from the facepack.

How to Restore an Existing File

1. Insert an SD card (pins facing the front) with the preloaded file into the side of the facepack. Press the card completely inward and then release. The card will lock into place.
2. From the **Home** screen, navigate to the **Setup** and then **Firmware** screens using the scroll wheel.
3. Navigate to **Backup** using the scroll wheel.
4. Input the file name of the desired database to restore. The filename must match exactly.
5. Press **Restore**.
6. After a successful restore, press the SD card inward and then release to remove the card from the facepack.

Assigning Light Fixtures into Groups

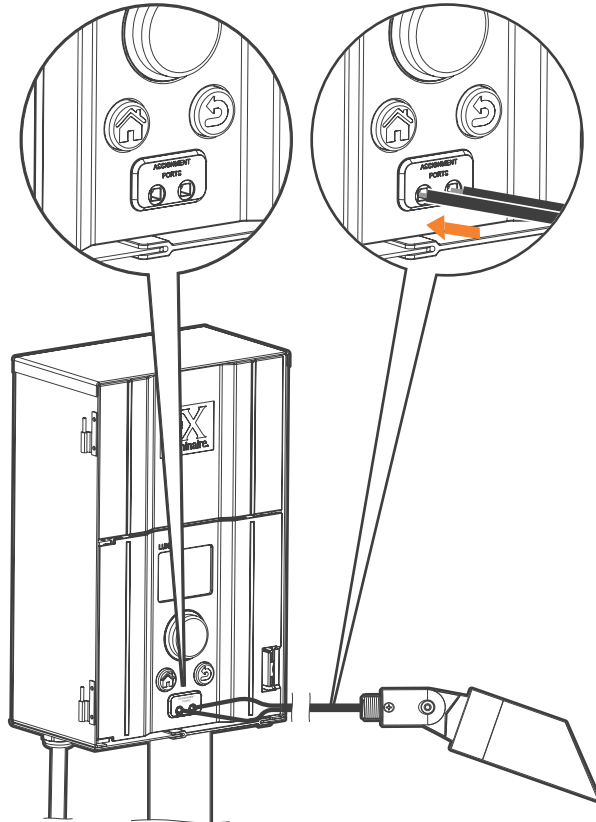


Figure 14: Fixture assignment wire diagram

The lighting assignment screen is automatically displayed when an FX Luminaire LED fixture or device containing FX Luminaire ZD Technology or ZDC Technology is connected into the assignment ports of the controller facepack. This mode can also be forced by navigating to **Setup** and selecting **Assign**.

1. Enter this mode by placing two separate wires from a single FX Luminaire LED fixture or device containing FX Luminaire ZD Technology or ZDC Technology into each of the assignment ports on the front of the facepack. The wires must maintain contact inside the assignment ports during the entire process.
2. Navigate to **Program** and press the scroll wheel to initiate assignment. When complete, the screen will show “Assignment Successful” or “Assignment Failed.” If failed, reposition wires and try again. If the problem persists, the board or device may either be defective or not programmable.
3. The assigned group number is stored in the device (e.g., LED board, lamp, CUBE) and not in the facepack. Thus, power loss or other errors within the Luxor Controller will not affect the fixture assignment. If a device is replaced, the new device must be programmed to the desired group number.



Note

Always address one fixture at a time. Attempting to address more than one fixture at a time can result in assignment failures.

Setting Up Programs

The **Programs** screen is where all daily running programs are set up. Programs are set by scheduling fixtures that have been assigned to groups or themes. For more about assigning fixtures to groups, see “Assigning Light Fixtures into Groups.”

1. Each program is designated by a letter (“A” through “G”) at the top right section of the screen. Select the desired letter using the scroll wheel prior to selecting the days of the week.
2. Selecting days of the week designates which days the program will run based on the event settings. Select or remove each day by highlighting the corresponding box over each day with the scroll wheel and pushing to select or deselect.
3. The **Event** field specifies the factors that will initiate a timed event. Options include sunrise, sunset, or time.
4. The **Time** field specifies what time the programmed event will occur. Sunrise/sunset times are based off of astronomical timing set by the location (longitude and latitude) of the unit. Optional timed offsets (\pm 15-minute increments) are available for sunrise/sunset events. Time events are determined by the time of day.
5. The **Group/Theme** field specifies which group or theme is associated with each event. Scroll right to select groups. Scroll left to select available themes.
6. The **Color** field specifies the desired color for group events. Colors are not available for themes.

The **%** field specifies the desired intensity for each event. Values range from 0% (off) to 100%. Theme events are limited to On or Off.

You can create multiple events to initiate or change fixture intensities, but you must use a separate event to turn them off.

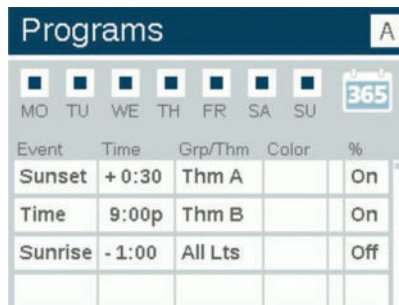


Figure 15: Programs screenshot



Note on Day Beginning and End

Days are designated to start and end at noon (12 p.m.). This allows lights to continue running after midnight within a single day’s program setting.

Calendar-Based Programming

Calendar-based programming allows program(s) to run during specific dates throughout the year.

To set a calendar-based program, enter the Date-Based Scheduling screen by selecting the calendar icon located in the right-hand corner of the **Program** screen.

Users can select the **Start** and **End** dates for each desired program. Selecting **Exclusive** will allow the controller to only run the specified program during the requested dates. The controller will revert back to the non-exclusive programs after the controller is outside of the **Exclusive** date range.



Program	Start Date	End Date	Exclusive
A	Jan 1	Dec 31	<input type="checkbox"/>
B	Feb 14	Feb 15	<input checked="" type="checkbox"/>
C	Jul 1	Jul 5	<input checked="" type="checkbox"/>
D	Oct 30	Nov 1	<input checked="" type="checkbox"/>
E	Dec 1	Dec 26	<input checked="" type="checkbox"/>

Figure 16: Date-Based Scheduling screenshot



Note

Calendar-based programs are not required for controller operation.

Themes

A theme is a planned set of groups at stated colors and intensities. A user can call up themes in the **Program** menu for quick setting of a series of groups, or in the **Manual** menu for on-demand control. Common uses for themes include location-based (e.g., gazebo) and lifestyle-based (e.g., vacation or party).

- Themes are set initially by selecting the **Theme** function from the **Home** screen.
- Each theme is designated by a letter (“A” through “Z”) at the top right section of the screen. Select the desired letter using the scroll wheel.
- Enter the various groups selected for the theme, with corresponding colors and intensities.

Operating the Luxor Controller

1. Select the **Test Theme** checkbox to temporarily turn on all groups that have been set in a theme. While this function is active, a user can make adjustments to the theme and see the changes in real time. Test theme function will end when a key has not been pressed for five minutes, the home key is pressed, or another theme is selected.
2. To completely clear the theme, select the **Erase** button. This function clears all fields in the theme and removes the erased theme from any existing programs.



Figure 17: Themes screenshot

Manual Mode

Use **Manual** mode to turn on and adjust lights outside of the set programs. Manual settings will always take precedence over any currently running programs.

3. From the **Home** screen, navigate to the **Manual** screen using the scroll wheel.
4. Designate a group number and then the intensity at which the given group should be illuminated.

5. Set the duration, or the amount of time that the group will run.
6. Navigate to and select the **Start** button with the scroll wheel.
7. To stop the countdown, the **Stop** button should be activated. This will only pause to allow for adjustments and should not delete any settings above.

If the group is currently running within a program, the manual setting will take precedence.

When the manual settings are finished, the regularly scheduled program will immediately continue operating at the next event time, even if it was interrupted.

After manual settings have been started, the intensity and time can be adjusted while the program is still running.

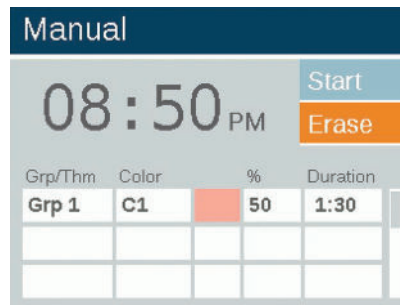


Figure 18: Manual screenshot

Color

ZDC Technology adds color to existing zoning and dimming options. A color system requires that an LED board with ZDC Technology is installed into each desired FX Luminaire LED fixture. Standard and ZD Technology enabled FX Luminaire fixtures will zone and zone/dim, respectively, but color is achieved only through the use of specific LED boards with ZDC Technology.



Figure 19: Home screen

Color Palette

Colors are selected on the **Color Palette** screen. The Luxor Controller can store up to 250 preset colors, labeled numerically as seen in Figure 20. Each color requires hue and saturation values. Hue is the primary attribute of a color. The selected value is found on the standard color wheel and is represented by numeric values between 0 and 359. Saturation is the percentage of hue seen with white light filling in the remainder (e.g., 80% saturation is 80% of the selected hue and 20% of white light).

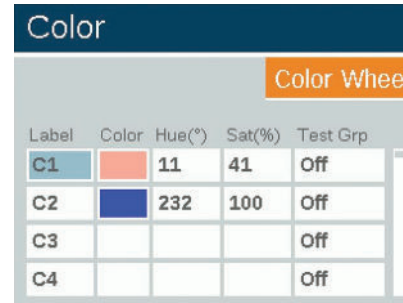


Figure 20: Color palette screenshot

- Access the color palette by selecting the **Color** function from the **Home** screen.
- Only four colors are displayed at a time. Turn the scroll wheel clockwise to access the remaining 246 color labels.
- Use the scroll wheel to highlight the desired color label (e.g., C1). Adjust the hue/saturation settings using one of two methods:
 1. **Color Swatch:** Scroll one click to the right to highlight the color swatch and press the scroll wheel to open the **Color Selection** screen. Adjust the **Hue** (top) and/or **Saturation** (bottom) by selecting the appropriate chart, scrolling left or right until the desired setting is located, and pressing the scroll wheel again to finalize the setting.
 2. **Hue/Sat Values:** Scroll to highlight the hue or saturation numeric values. Press the scroll wheel to select, then scroll to select the desired values. Press the scroll wheel again to finalize the setting.

- The test group column allows the user to view the created color of a specific group. The color will remain active until the color palette screen is exited or the test group is set to off. Scroll to the test group box and select a group to activate a color label onto that group.
- Changes to colors in real time are made when the color is active through a test group, a theme, a program, or a manual program.

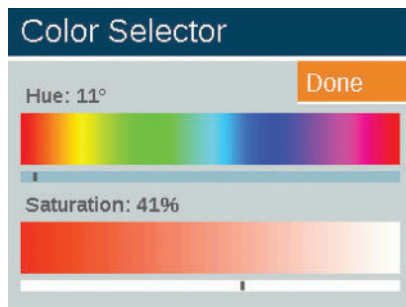


Figure 21: Color selector screenshot



fxl.com/color-guide

Color Wheel

The color wheel feature scans through all 300 hues constantly at intervals determined by the user. The scan is applied at the group level, allowing various groups to cycle at different colors and rates.

1. Access the color wheel menu by selecting the **Color Wheel** function from the **Home** screen.
2. Choose a label for your wheel (e.g., CW2).
3. Select a starting color. This is a user-defined color from the **Color Palette** menu.
4. Select the number of seconds in which the controller will scan through all 300 hues, beginning first at the "Starting Color." For rapid color changes, choose a lower number of seconds.
5. Apply the color wheel into programs, themes, and manual modes using the same principles described in the "Color" section (page 21). Rather than applying a single color to each group (e.g., C1), scroll the reverse direction to apply a color wheel (e.g., CW1).



Note

Color and non-color LED boards must be assigned to different groups.

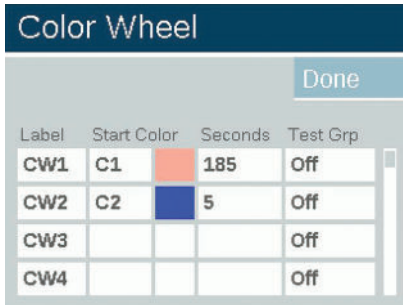


Figure 22: Color wheel screenshot

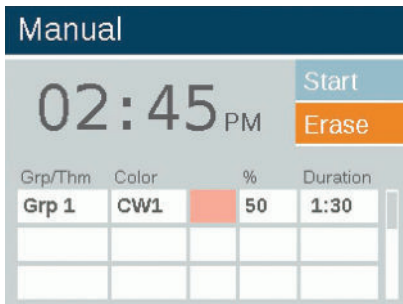


Figure 23: Manual mode screenshot

Mixing FX Luminaire LED, ZD Technology, and ZDC Technology

FX Luminaire offers a variety of LED boards with ascending functionality when used with the Luxor Controller. The standard board is zoneable, the ZD Technology board offers zoning and dimming, and ZDC Technology encompasses the first two and adds color to the mix.

	STANDARD	ZD	ZDC
Zoning	●	●	●
Dimming		●	●
Color			●

When "all lights on" is activated in the **Manual** mode with an assigned color, non-color lights (e.g., standard and ZD) will not turn on. Select the white color (0 hue and 0 sat) to ensure all lights come on in this mode.

Using Other Devices with the Luxor Controller

The Luxor Controller can communicate with devices other than FX Luminaire integrated LED boards. Two of those devices include the Luxor CUBE and the Luxor MR-16 ZD LED Lamp.

Luxor CUBE

For a total smart yard management solution, the Luxor CUBE allows the Luxor Controller to control, zone, and dim lighting fixtures and other devices that don't have built-in FX Luminaire ZD Technology. Install the CUBE in-line prior to the fixtures or devices you wish to control as a zone. When that zone is activated by the controller, all fixtures or devices in-line after the CUBE will initiate and dim according to the commands given by the controller.

The CUBE is offered in three models to ensure maximum design flexibility:

- Low-Voltage Lighting (LCM-LV)
- Line-Voltage Lighting (LCM-HV)
- Relay and 0-10 V Dimming (LCM-RLY-010V)

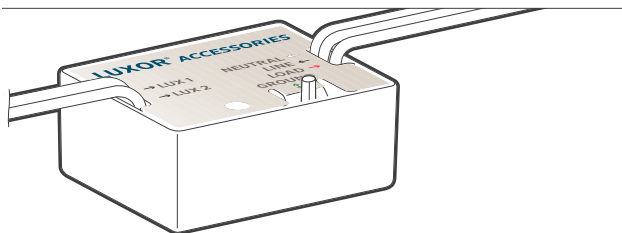


Figure 24: Luxor CUBE

MR-16 ZD LED Lamp

The MR-16 ZD LED Lamp is a convenient, high-quality solution that converts incandescent fixtures to energy-efficient LED fixtures. When connected to a Luxor Controller, the MR-16 ZD adds zoning, dimming, and control capabilities to any brand of low-voltage landscape lighting fixture that has an MR-16 socket.

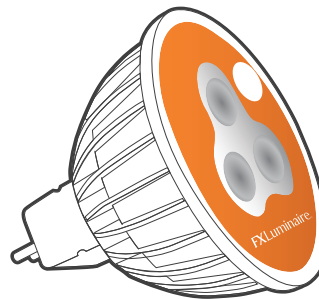


Figure 25: Luxor MR-16 ZD LED Lamp

Disable

The **Disable** option allows you to completely shut down all lighting events in the **Manual** and **Program** modes regardless of time or status, indefinitely. This mode does not turn off the unit but rather suspends all lighting events until the user decides to reactivate. The lights will remain off after a reactivation is executed and will not turn back on until the next event (program or manual) occurs.

1. The **Disable** feature is accessed from the **Setup** screen.
2. When **Disable System** is selected, the unit will immediately shut down all fixtures in **Programs**, **Manual**, or **Themes**.
3. All lights will remain off and the lights will not reactivate until **Disable System** is deselected. If in the **Off** state and a manual event is initiated, it will run until finished or another **Disable System** is performed.
4. The **Home** screen will show “**Off**” in place of the current time when the unit is shut down.

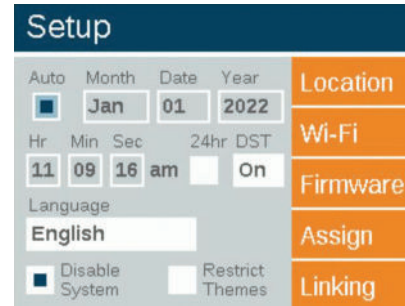


Figure 26: Shutdown screenshot

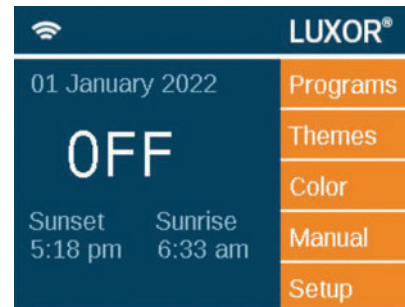


Figure 27: Home screen in disabled mode

Luxor Linking Setup

Luxor Linking allows for a single point of control for sites that require multiple Luxor Controllers. A linking system can contain a total of nine satellite controllers.

Primary controller: A Luxor Controller with a facepack installed. Linking firmware is required for both facepack and chassis.

Satellite controller: A controller with no facepack installed. Linking firmware is required for the chassis.



Note

Prior to running a Linking system, verify primary and satellite controllers have the latest version of linking firmware for both the facepack and chassis.

Updating to Luxor Linking

1. From the product page, download the latest facepack and chassis Luxor Linking firmware onto an SD card.
2. Update facepack firmware.
3. Update chassis firmware.

Chassis firmware updates take about 15 minutes. The progress bar shown at the bottom of the facepack indicates the progress of the firmware update. Do not unplug power or Cat 6 connections while firmware updates are in process.



Note

More information on updating firmware can be found under "Firmware Updates" (page 31).

Wired Connection for Satellite Controllers

1. Disconnect power to the primary and satellite controllers.
2. Insert one end of Cat 6 cable into the linking port of the primary controller.

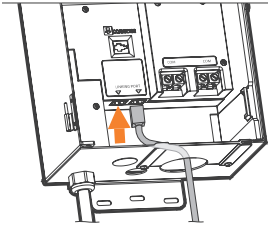


Figure 28: Primary controller

3. Insert the opposite end of the Cat 6 cable into the linking port of the desired satellite controller.

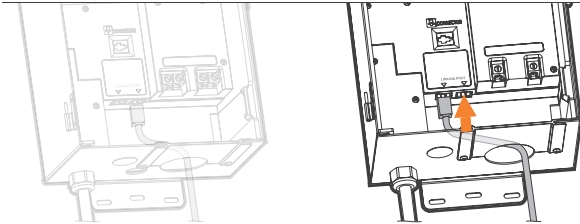


Figure 29: Satellite controller

4. If site requires multiple satellite controllers, insert new Cat 6 cable into the unused linking port of the previous satellite controller.
5. Insert the opposite end of the Cat 6 cable into the unused linking port of the next satellite controller.

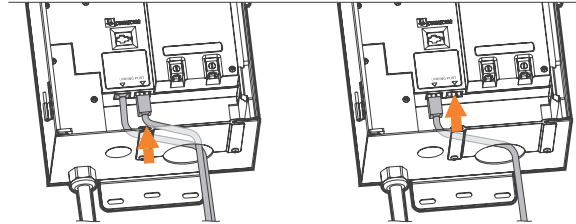


Figure 30: Satellite controller

6. Continue this connection method until all satellite units are installed in series with the primary controller.

Chassis Communication and Assignment

1. Restore power to the primary controller.
2. On the facepack **Diagnostics** screen, verify that the primary controller has been "Assigned" and is "Communicating."

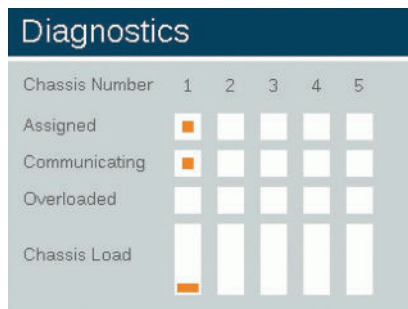


Figure 31: Diagnostics screenshot

3. Apply power to satellite controllers.
4. On facepack **Diagnostics** screen, verify satellite controllers have been "Assigned" and are "Communicating."

Before proceeding, confirm that the number of total chassis assigned and communicating equal the total number of primary and satellite controllers.



Note

The assigned chassis numbers do not always correspond with the installed primary and satellite controllers shown on the display.

Wireless Communication and Assignment

Before programming, determine which Wireless Linking Module (LINK-MOD in the U.S. and Canada or LINK-MOD-E internationally) will be installed on the primary Luxor Controller.

For more information on Wireless Luxor Linking setup, use the link below.



fxl.com/luxor-documents

Regular Preventive Maintenance

Perform the following regular preventive maintenance procedures:

CATEGORY	DESCRIPTION	TIMELINE
Transformer	Tighten all terminal lugs.	Annually
	Blow out all bugs and webs.	Annually
Fixtures	Clean dirty lenses to minimize calcium deposits.	Annually
	Straighten all pathway lights.	Quarterly
	Trim all plant material as needed; relocate fixtures as needed as plant materials mature.	Quarterly
	Clean debris off well light lenses and grates.	Quarterly
	Check cable and cable connectors.	Annually
	Rebury cable and connectors that may have crept to the surface.	Semiannually
	Check aiming angles.	Semiannually
	Check, adjust, and replace all cable and cable ties in trees.	As needed



Note

When replacing fixture LED boards, be sure to use FX Luminaire LED boards. Use of other brands may cause the fixture to malfunction.

Troubleshooting

PROBLEM	CAUSE	RESOLUTION
Error message: “Overload” (uppercase “O”)	An uppercase “O” overload indicates current far in excess of normal operating current, typically caused by a short circuit. This is controlled by a hardware circuit and trips the overload immediately.	Check for shorts in the line. Resolve or repair the short circuit.
Error message: “overload” (lowercase “o”)	A lowercase “o” overload indicates a current in excess of the rated current, but not as much as the uppercase “O.” For 150 W transformers the limit is 11 amps, and for 300 W transformers the limit is 22 A. For this current to trip the overload, it must be continually above these values for one second.	Reduce the number of fixtures by one, turning on, and repeating until the “overload” does not occur. Resolve/repair the short circuit.
Error message: “No Wi-Fi Card Present”	Wi-Fi card not detected.	Pull out the Wi-Fi Card and re-insert. If problem persists, replace with a new Wi-Fi card.
Error message: “Communications Failure”	Communication between the facepack and chassis is not present.	Replace the cable connecting the facepack to the chassis. If problem persists, call Technical Services at +1-760-591-7383.
Transformer will not turn off when program is complete.	No off time programmed.	Go to programs and add an event time with an intensity of zero for your off time.
The transformer display is on, but no fixtures are on.	The transformer’s fuse has blown.	Replace the fuse in the transformer.



Note

Shorts and overloads are not covered by the FX Luminaire warranty and can be detected only when the transformer is tested in the field. Periodic system maintenance is required to keep your FX Luminaire lighting system operating at peak performance. Practicing these maintenance suggestions will lengthen the life and enjoyment of your lighting design.

Firmware Updates

Firmware updates are occasionally released to add features or enhance the Luxor functionality. To update the facepack, chassis, Wi-Fi module, and flash firmware on the Luxor Controller, an SD card is required to transfer the data from a computer to the facepack.

1. Go to the FX Luminaire website (fxl.com) and navigate to the Luxor product page. The firmware update files are located under the **Documents** tab.
2. Save the desired firmware onto an SD card.
3. Remove the facepack from the chassis by pulling on the tab to the right of the facepack and swinging the facepack door open.
4. Pull the black tab outward while pushing the facepack through the door carriage.
5. Insert the SD card with the pins facing the front of the facepack, pressing completely inward. Then release to lock the card into place.
6. From the **Home** screen, select **Setup**. Navigate to the **Firmware** tab and press the scroll wheel.



fxl.com/luxor-firmware

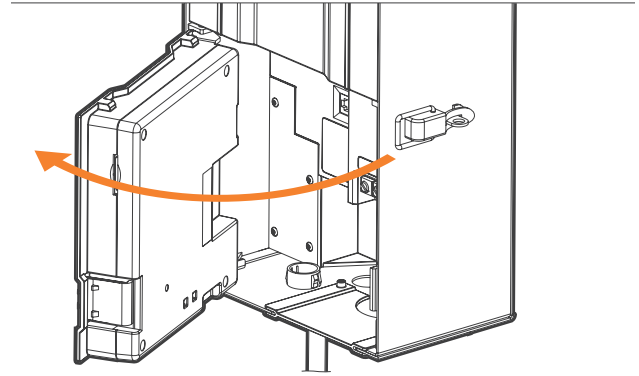


Figure 32: Facepack open

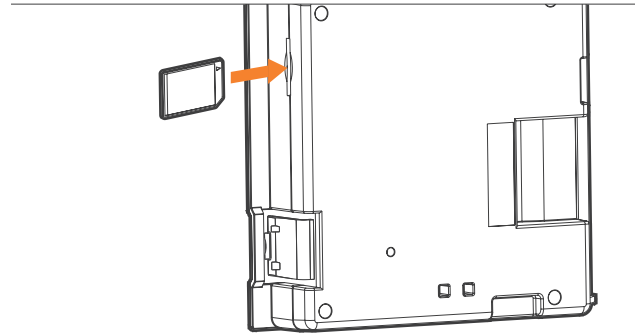


Figure 33: SD card installation

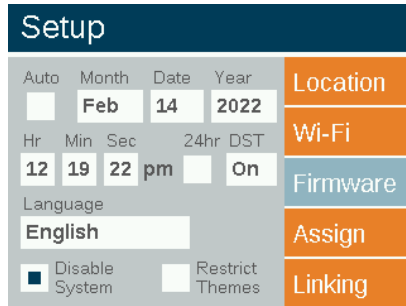


Figure 34: Setup screen (firmware)

7. Select the **Firmware Type** that will be updated.
8. Once the designed type is selected, navigate to **Update** and press the scroll wheel. The facepack and flash update processes usually take between 5 and 15 seconds, chassis updates typically take a couple of minutes, and fixture updates can take up to 15 minutes.

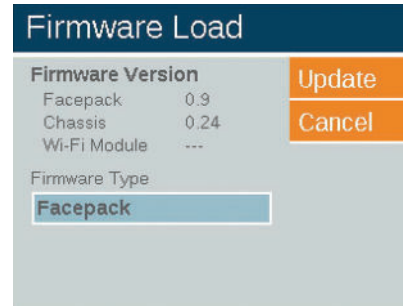


Figure 35: Firmware load screenshot

Fuse Replacement

If the unit is powering on, but the fixtures attached are not receiving power, the fuse may need to be replaced. To replace the fuse, follow the directions below:

1. Unplug the Luxor Controller from power.
2. Remove all wires from the Common and 15 V terminals on the chassis.
3. Remove the four screws from the fuse cover.
4. Remove and replace the fuse with the following specifications:
 - $\frac{3}{16}$ " x $\frac{3}{4}$ " (5 mm x 20 mm)
 - 25 V
 - 10 A
 - UL rated
5. Replace the cover and four screws, reattach the fixture wires, and restore power to the controller.

System Reset

There are two types of system resets: facepack reset and database reset. The facepack reset simply removes power to the facepack and restarts the firmware. A database reset deletes the entire database to allow the user to start from scratch. All program data is lost during a database reset, but fixture assignments remain intact.

Facepack Reset

1. Remove the facepack from the chassis by pulling on the tab to the right of the facepack.
2. Swing the facepack door open.
3. Locate a paper clip, pen tip, or other small-point tool.
4. Locate the reset button on the back of the facepack.
5. Press and hold the reset button for two seconds using the selected tool.

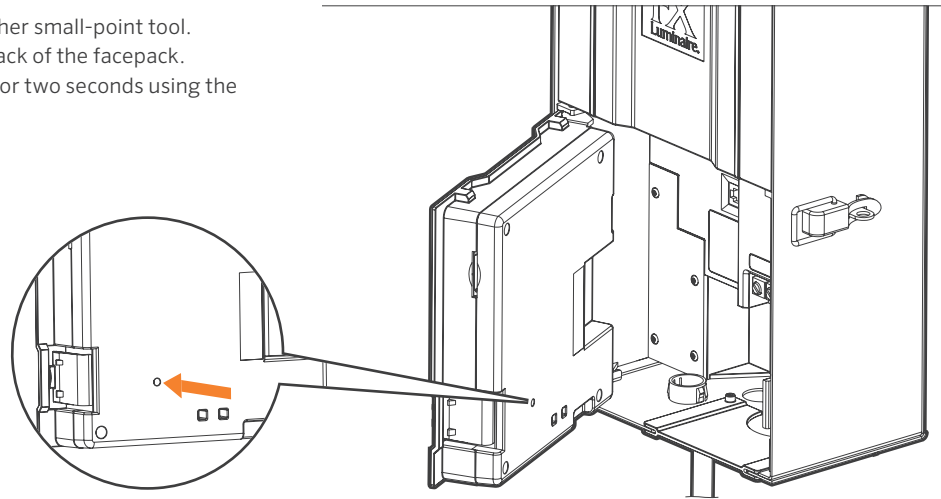


Figure 36: Reset button

Database Reset

1. From the **Home** screen, push the **Home** button and the **Back** button simultaneously to bring up the **Diagnostics** screen (Figure 2 on page 3).
2. Wait two seconds and press the center scroll wheel.
3. Navigate to the **Clear** option and press the scroll wheel (Figure 37).

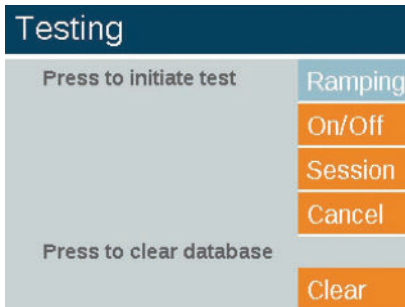


Figure 37: Engineering testing screenshot



Note

Clearing the database does not erase fixture group assignments (page 17).

Chassis Indicator Lights

An indicator light displays the communication status of the chassis to the facepack. The following colors indicate the accompanying status:

- **Blinking green:** Communication established
- **Amber:** Communication error/facepack unplugged
- **Red:** Short or overload detected in the system

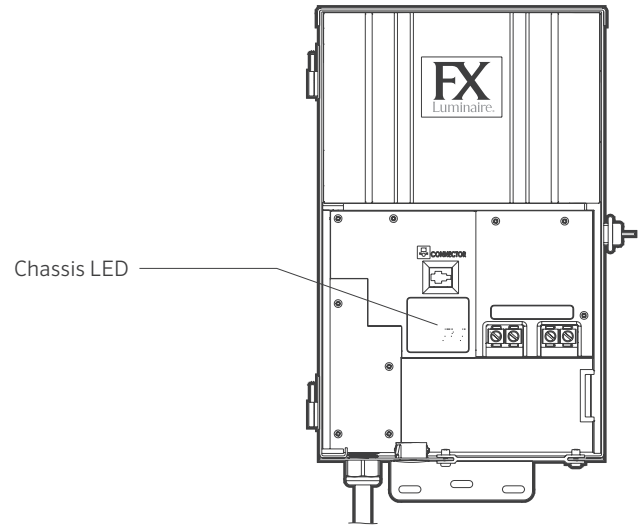


Figure 38: Chassis indicator lights

Warranty

Hunter Industries Incorporated (“Hunter”) warrants FX Luminaire (“FX”) Transformers to be free of defects in materials or workmanship under normal use for a period of ten (10) years from the original date of installation. Hunter warrants FX Low-Voltage Lighting Fixtures to be free of defects in materials or workmanship under normal use for a period of three (3) years from the original date of installation. Hunter extends the warranty on FX Fixtures to ten (10) years from the original date of installation when both FX Fixtures and Transformers are installed on the same project exclusive of any competitor’s product. Hunter warrants FX LED Fixtures to be free of defects in materials or workmanship under normal use for a period of ten (10) years from the original date of installation. MR-16 LED Lamps, MR-16 ZD Lamps, G4 LED Lamps, Luxor CUBE Devices, SRP Strip Lights, and Line-Voltage Series Fixtures are warranted for five (5) years. MR-16 Eco Lamps, MR-11 Eco Lamps, and PAR-36 Eco Lamps are warranted for three (3) years. If a defect in an FX product is discovered during the applicable warranty period, Hunter will repair or replace the product or the defective part, at its discretion. This warranty does not extend to repairs, adjustments, or replacement of an FX product or part that results from misuse, negligence, alteration, modification, tampering, or improper installation and/or maintenance of the product. This warranty extends only to the original installer of the FX product. If a defect arises in an FX product or part during the warranty period, you should contact your local FX Authorized Distributor.

FX’S OBLIGATION TO REPAIR OR REPLACE ITS PRODUCTS AS SET FORTH ABOVE IS THE SOLE AND EXCLUSIVE WARRANTY SET FORTH BY FX. THERE ARE NO OTHER WARRANTIES, EXPRESSED OR IMPLIED, INCLUDING WARRANTIES OF MERCHANTABILITY AND FITNESS FOR A PARTICULAR PURPOSE. FX WILL NOT BE LIABLE TO DISTRIBUTOR OR ANY OTHER PARTY IN STRICT LIABILITY, TORT, CONTRACT, OR ANY OTHER MANNER FOR DAMAGES CAUSED OR CLAIMED TO BE CAUSED AS A RESULT OF ANY DESIGN OR DEFECT IN FX’S PRODUCTS, OR FOR ANY SPECIAL, INCIDENTAL, CONSEQUENTIAL, OR EXEMPLARY DAMAGES OF ANY NATURE, INCLUDING WITHOUT LIMITATION LOST BUSINESS OR PROFITS. NOTWITHSTANDING THE FOREGOING, IF FOR ANY REASON FX IS FOUND TO BE LIABLE IN NO EVENT SHALL FX’S LIABILITY EXCEED THE PRICE OF THE PRODUCT WHICH GIVES RISE TO THE CLAIM, LOSS, OR DAMAGE.

Any FX product being returned must receive approval and a Return Goods Authorization number from Hunter Customer Service prior to sending product back. All returned product is subject to a 25 percent restocking fee. Product must be returned within six (6) months of order date. All product returned must be in its original packaging, be undamaged and unused and never energized. Product not meeting these criteria will be returned to original sender. Line-Voltage Series Fixtures are not returnable. Products with specialty finishes are not returnable. Specialty finishes include (but are not limited to): Almond (AL), Verde Speckle (VF), Silver (SV), Flat White (FW), White Gloss (WG), Black Wrinkle (BF), White Wrinkle (WF), and Nickel Plate (NP). Hunter Industries is not responsible for product loss or damage during return transit to RMA location.

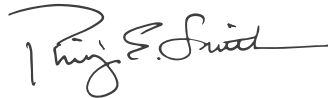
If you have questions concerning the warranty or its application, please write to:

Customer Service Department
FX Luminaire
1940 Diamond Street
San Marcos, CA 92078 USA

FXLuminaire®

A Hunter Industries Company

Our mission is to create the most energy-efficient lighting products in the world while maintaining the highest level of quality and reliability. In every instance we will back our innovations with the unwavering support our customers need to succeed.



Gene Smith, President, Landscape Irrigation and Outdoor Lighting



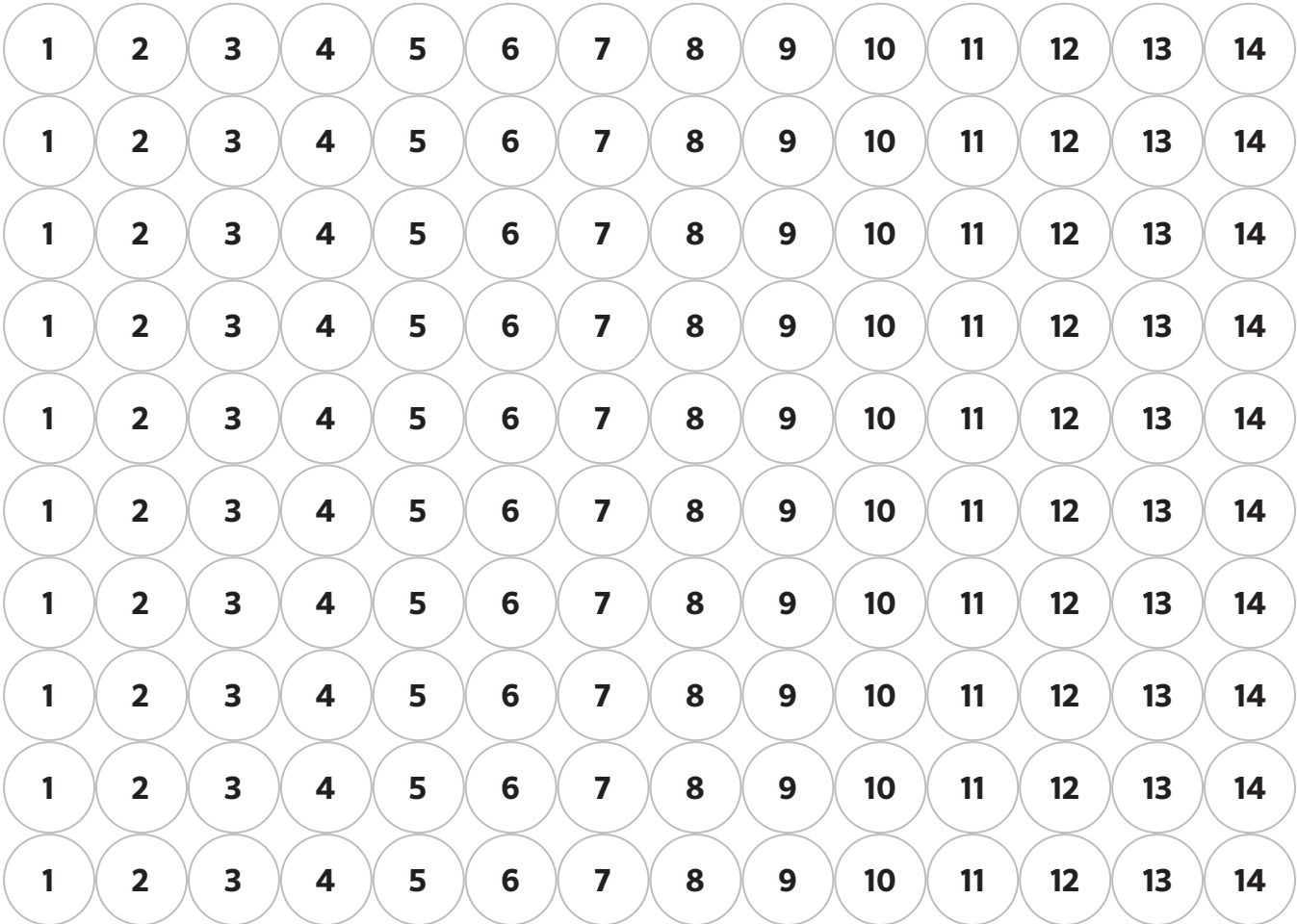
Need more helpful information
on your product? Find tips
on installation, controller
programming, and more.

fxl.com/support

HUNTER INDUSTRIES | *Built on Innovation®*
1940 Diamond Street, San Marcos, CA 92078 USA
hunterindustries.com

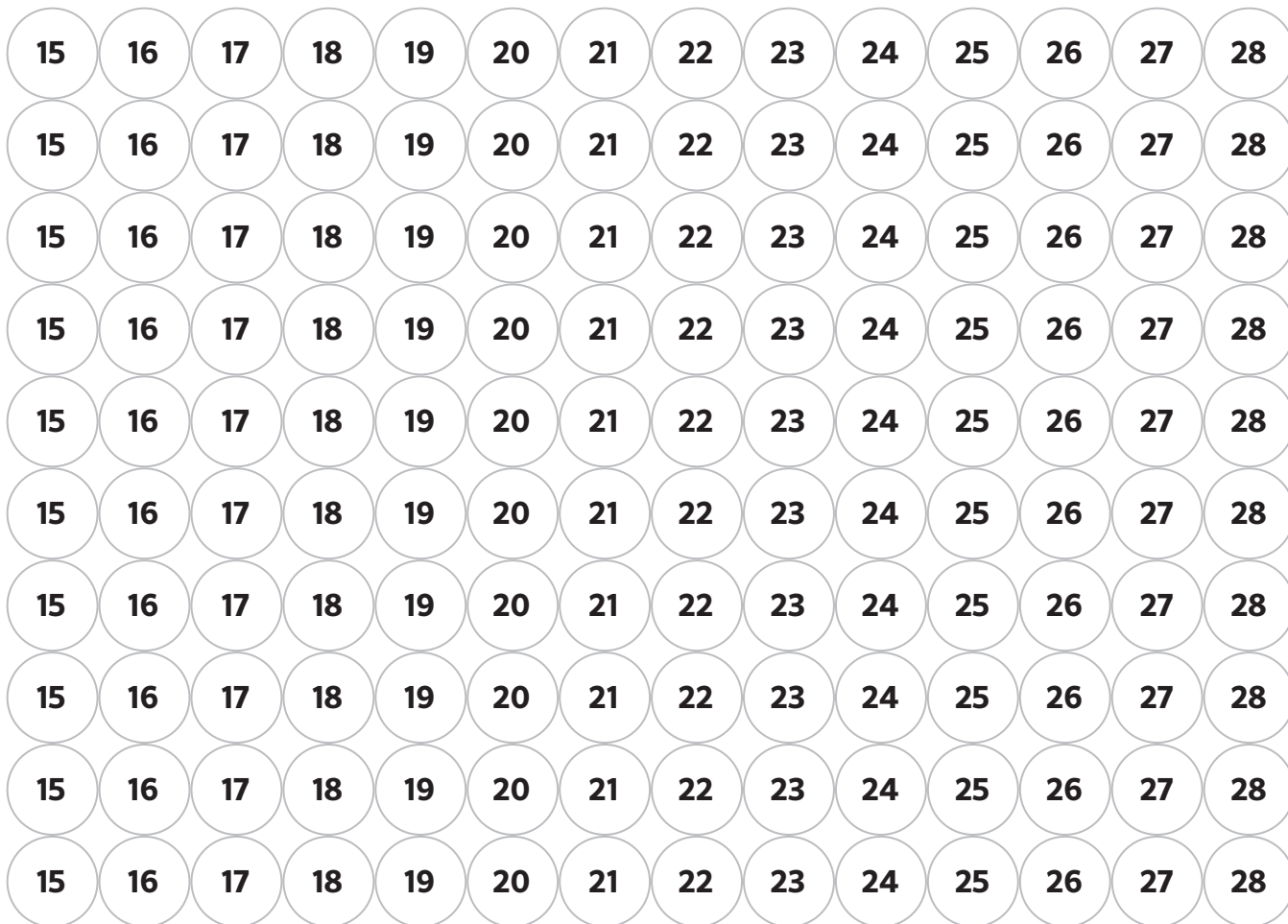
© 2022 Hunter Industries™. Hunter, FX Luminaire, all related logos, and all other trademarks are property of Hunter Industries, registered in the U.S. and other countries.

FX-244-OM-EN B 4/22



To simplify installation, use these stickers when programming fixtures at the Luxor Controller facepack or with the Light Assignment Module. Place the stickers on fixture wires to create a visual reference for group numbering in the field.

Fixture Group Stickers



To simplify installation, use these stickers when programming fixtures at the Luxor Controller facepack or with the Light Assignment Module. Place the stickers on fixture wires to create a visual reference for group numbering in the field.