

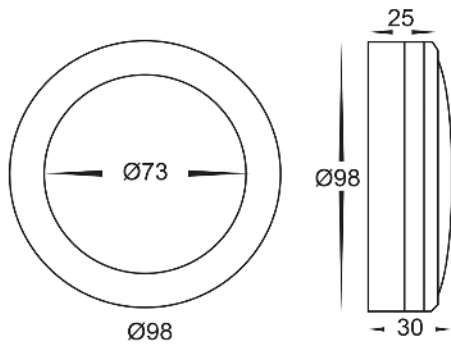
Pinta Step Light Installation Instructions



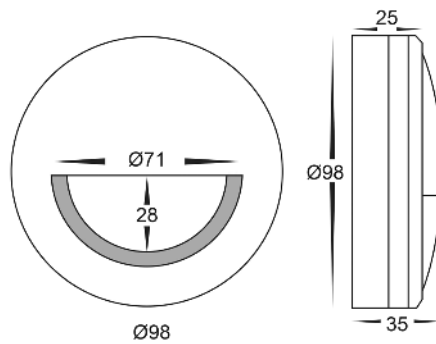
Product Specifications

Model No.	HV2960C-BLK-240V	HV2960C-TTM-240V	HV2960W-BLK-240V	HV2960W-TTM-240V	HV2960C-BLK-12V	HV2960C-TTM-12V	HV2960W-BLK-12V	HV2960W-TTM-12V
	HV2961C-BLK-240V	HV2961C-TTM-240V	HV2961W-BLK-240V	HV2961W-TTM-240V	HV2961C-BLK-12V	HV2961C-TTM-12V	HV2961W-BLK-12V	HV2961W-TTM-12V
Name	Nava							
Material	Aluminium							
Colour	Black	Titanium	Black	Titanium	Black	Titanium	Black	Titanium
IP Rating	IP65							
Input Voltage	240v AC				12v DC			
Protection Class	⚡ (Requires Earth)				⚡ (Low Voltage)			
Lamp Base	Built in LED							
Lamp Wattage	1x 5w							
Colour Temp	5500k		3000k		5500k		3000k	
Lumens	400lm		360lm		400lm		360lm	
CRI	> 80							
Wiring	Parallel							
Dimmable	No							
Warranty	3 Years Replacement*							

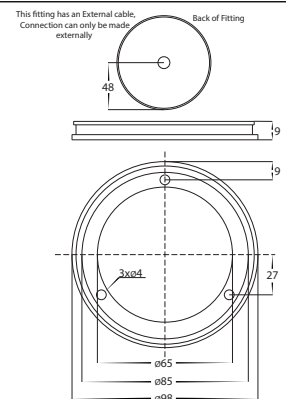
HV2960 Dimensions



HV2961 Dimensions



Mounting Base



Important Safety Issues:

- This product must be installed by a qualified electrician according to AS/NZS 3000.
- Ensure all electrical mains are disconnected before any installation.
- Modification of this product will void any warranty.
- Havit Lighting does not take responsibility for wrong installation, incorrect use, or use of installation material that does not belong to the system.
- When installing low voltage fittings, Voltage to fitting must be within +or- 5% of voltage required and cannot be installed more than 25m from LED Driver, if not within this allowance warranty will be voided.
- Aluminium and 304SS fittings must not be installed within 5km of any salt water environments.
- All o-rings and seals must be in place correctly to maintain warranty.
- These instructions may be updated at any time due to product improvements, Please visit website for most current installation instructions.

Steps for Installation for 240v Models:

1. Make sure that the electrical circuit is free of voltage (master switch off)
2. Remove allen screws from side of fitting as set aside.
3. Install base plate in desired location
4. Connect the cable - use wire with earth; connect the earth first, then live and neutral wire
5. Strip back the cable on both fitting and cable run and twist together the earth cables first, then positive and neutral cables together.
6. Solder all joins using solder and either a heat gun or butane gas torch.
7. Cover connections using an adhesive lined heat shrink or gel cap to make connection watertight. Failure to do this will void warranty.
8. Heat the heat shrink or crimp the gel cap making sure all connections are covered.
9. Reattach fitting to base plate making sure allen screws are tight to avoid water penetration into fitting
10. Apply silicon around edge of fitting to prevent any water from getting inside to electrical connections.
11. All connections must be carried out carefully, inspect all contacts before switching back on the electric circuit.

Steps for Installation for 12v DC Models:

1. Make sure that the electrical circuit is free of voltage (master switch off)
2. Remove allen screws from side of fitting as set aside.
3. Install base plate in desired location
4. Using an appropriate 12v DC LED Driver - DO NOT CONNECT LIGHT FITTING DIRECTLY TO 240V
5. Connect the cable - If more than one fitting installed, wiring must be done in parallel.
6. Strip back the cable on both fitting and cable run and twist the positive cables together. Then connect neutral cables together
7. Solder all joins using solder and either a heat gun or butane gas torch.
8. Cover connections using an adhesive lined heat shrink or gel cap to make connection watertight. Failure to do this will void warranty.
9. Heat the heat shrink or crimp the gel cap making sure all connections are covered.
10. Reattach fitting to base plate making sure allen screws are tight to avoid water penetration into fitting
11. Apply silicon around edge of fitting to prevent any water from getting inside to electrical connections.
12. All connections must be carried out carefully, inspect all contacts before switching back on the electric circuit.

Must be installed by a licensed electrician

Contact Details:

143 Beauchamp Road
Matraville NSW 2036
Australia
Tel: 02 9381 8300
Fax: 02 9666 8881
Email: sales@havit.com.au
Web: www.havit.com.au

Warranty Terms & Conditions*



Additional Information

