

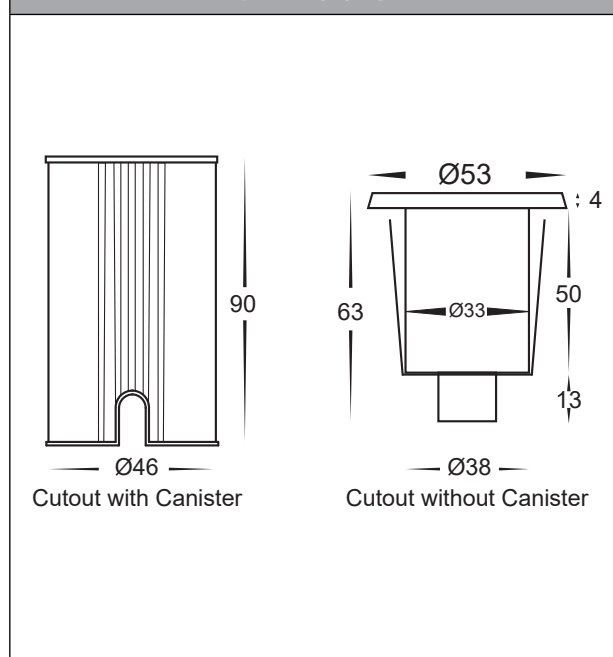
Mini Olo Round Recessed LED Inground or Step Light



PRODUCT SPECIFICATIONS

| | |
|---------------|----------------------------------|
| Name | Mini Olo |
| Material | 316 Stainless Steel or Copper |
| Colour | Stainless Steel, Black or Copper |
| IP Rating | IP67 |
| Trafficable | 600kgs |
| Lamp Base | Built in LED |
| Input Voltage | 12v DC |
| Wattage | 1w |
| Beam Angle | 36° |
| CRI: | >80 |
| Cable Length | 300mm |
| Wiring: | Parallel |
| Dimmable | No |
| Warranty | 2 Years Replacement |

DIMENSIONS



316 Stainless Steel



| PART NUMBER | COLOUR TEMP | LUMENS |
|----------------------|-------------|--------|
| HV2892W-SS316 | 3000K | 80lm |
| HV2892C-SS316 | 5500K | 90lm |

316 Stainless Steel Black



| PART NUMBER | COLOUR TEMP | LUMENS |
|--------------------|-------------|--------|
| HV2892W-BLK | 3000K | 80lm |
| HV2892C-BLK | 5500K | 90lm |

Solid Copper



| PART NUMBER | COLOUR TEMP | LUMENS |
|-------------------|-------------|--------|
| HV2892W-CP | 3000K | 80lm |
| HV2892C-CP | 5500K | 90lm |

COLOUR TEMP



APPROVAL



IP RATING



For More Information Contact Havit Lighting

143 Beauchamp Road
Matraville NSW 2036
Australia

Tel: 02 9381 83000
Fax: 02 9666 888
Email: sales@havit.com.au
Web: www.havit.com.au



Warranty Terms & Conditions



HV2892-SS316



HV2892-BLK



HV2892-CP