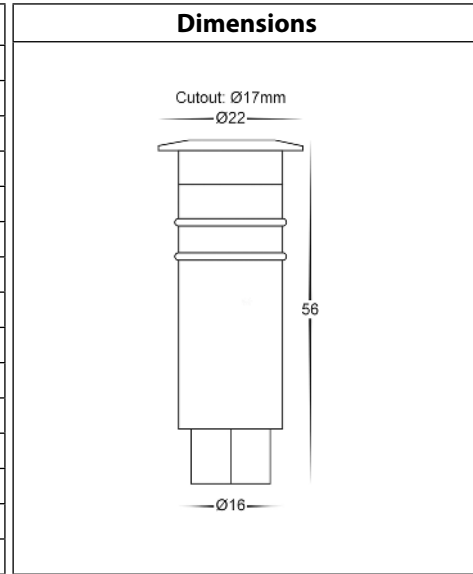


Kett Deck Light Installation Instructions

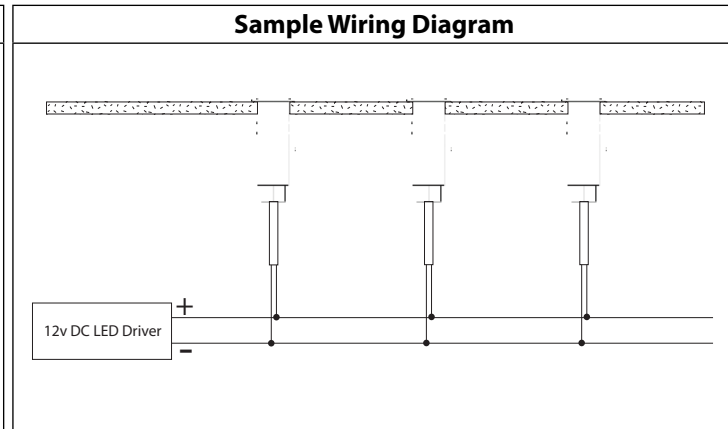


Product Specifications			
Model No.	HV2861W	HV2861C	HV2861B
Name	Kett		
Material	316 Stainless Steel		
Colour	Stainless Steel		
IP Rating	IP65		
Input Voltage	12v DC		
Lamp Base	Built in LED		
Protection Class	⚡ (Low Voltage)		
Lamp Wattage	1x 0.5w		
Colour Temp	3000k	4000k	Blue
Lumens	30lm	35lm	10lm
CRI	> 80		
Wiring	Parallel		
Dimmable	No		
Warranty	3 Years Replacement*		



Important Safety Issues:

- This product must be installed by a qualified electrician according to AS/NZS 3000.
- Ensure all electrical mains are disconnected before any installation.
- Modification of this product will void any warranty.
- Havit Lighting does not take responsibility for wrong installation, incorrect use, or use of installation material that does not belong to the system.
- When installing low voltage fittings, Voltage to fitting must be within +or- 5% of voltage required and cannot be installed more than 25m from LED Driver, if not within this allowance warranty will be voided.
- This fitting is not suitable for inground installation
- All o-rings and seals must be in place correctly to maintain warranty.
- These instructions may be updated at any time due to product improvements, Please visit website for most current installation instructions.



- ### Steps for Installation:
1. Make sure that the electrical circuit is free of voltage (master switch off)
 2. Make a hole where fitting is to be placed using dimensions provided on line drawings,
 3. Using an appropriate 12v DC LED Driver - DO NOT CONNECT LIGHT FITTING DIRECTLY TO 240V
 4. Connect the cable - If more than one fitting installed, wiring must be done in parallel.
 5. Strip back the cable on both fitting and cable run and twist the positive cables together. Then connect neutral cables together
 6. Solder all joins using solder and either a heat gun or butane gas torch.
 7. Cover connections using an adhesive lined heat shrink or gel cap to make connection watertight. Failure to do this will void warranty.
 8. Heat the heat shrink or crimp the gel cap making sure all connections are covered.
 9. Insert fitting into hole.
 10. Apply silicon around edge of fitting to prevent any water from getting inside to electrical connections.
 11. All connections must be carried out carefully, inspect all contacts before switching back on the electric circuit.

Must be installed by a licensed electrician

Contact Details:

143 Beauchamp Road
Matraville NSW 2036
Australia

Tel: 02 9381 8300
Fax: 02 9666 8881
Email: sales@havit.com.au
Web: www.havit.com.au

Warranty Terms & Conditions*

Additional Information