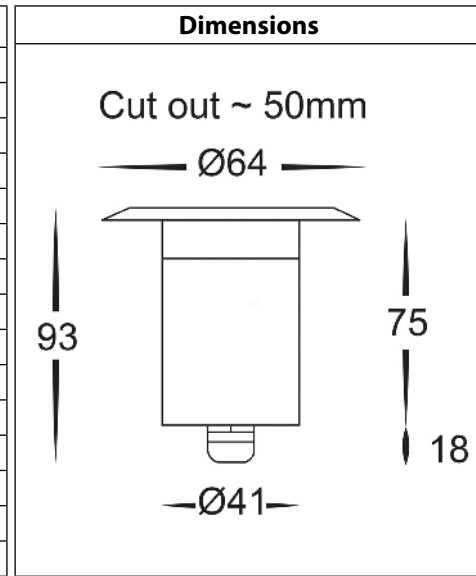


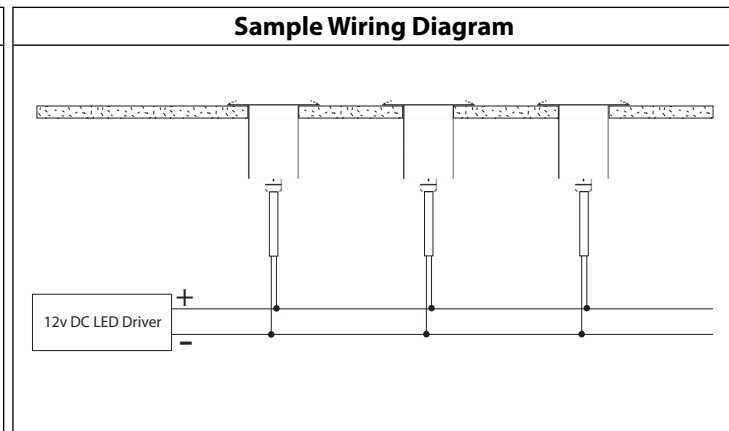
Tekk Deck Light Installation Instructions



Product Specifications			
Model No.	HV2860W	HV2860N	HV2860C
Name	Tekk		
Material	316 Stainless Steel Cover + Aluminium Body		
Colour	Stainless Steel		
IP Rating	IP67		
Input Voltage	12v DC		
Lamp Base	Built in LED		
Protection Class	⚡ (Low Voltage)		
Lamp Wattage	1x 3w		
Colour Temp	3000k	4000k	5500k
Lumens	160lm	170lm	180lm
CRI	> 80		
Wiring	Parallel		
Dimmable	No		
Warranty	3 Years Replacement*		



- ### Important Safety Issues:
- This product must be installed by a qualified electrician according to AS/NZS 3000.
 - Ensure all electrical mains are disconnected before any installation.
 - Modification of this product will void any warranty.
 - Havit Lighting does not take responsibility for wrong installation, incorrect use, or use of installation material that does not belong to the system.
 - When installing low voltage fittings, Voltage to fitting must be within +or- 5% of voltage required and cannot be installed more than 25m from LED Driver, if not within this allowance warranty will be voided.
 - Aluminium and 304SS fittings must not be installed within 5km of any salt water environments.
 - This fitting is not suitable for inground installation
 - All o-rings and seals must be in place correctly to maintain warranty.
 - These instructions may be updated at any time due to product improvements, Please visit website for most current installation instructions.



- ### Steps for Installation:
1. Make sure that the electrical circuit is free of voltage (master switch off)
 2. Make a hole where fitting is to be placed using dimensions provided on line drawings,
 3. Using an appropriate 12v DC LED Driver - DO NOT CONNECT LIGHT FITTING DIRECTLY TO 240V
 4. Connect the cable - If more than one fitting installed, wiring must be done in parallel.
 5. Strip back the cable on both fitting and cable run and twist the positive cables together. Then connect neutral cables together
 6. Solder all joins using solder and either a heat gun or butane gas torch.
 7. Cover connections using an adhesive lined heat shrink or gel cap to make connection watertight. Failure to do this will void warranty.
 8. Heat the heat shrink or crimp the gel cap making sure all connections are covered.
 9. Insert fitting into hole.
 10. Apply silicon around edge of fitting to prevent any water from getting inside to electrical connections.
 11. All connections must be carried out carefully, inspect all contacts before switching back on the electric circuit.

Must be installed by a licensed electrician

Contact Details:
 143 Beauchamp Road
 Matraville NSW 2036
 Australia
 Tel: 02 9381 8300
 Fax: 02 9666 8881
 Email: sales@havit.com.au
 Web: www.havit.com.au

Warranty Terms & Conditions*

Additional Information