

# 316 Stainless Steel Pond Light

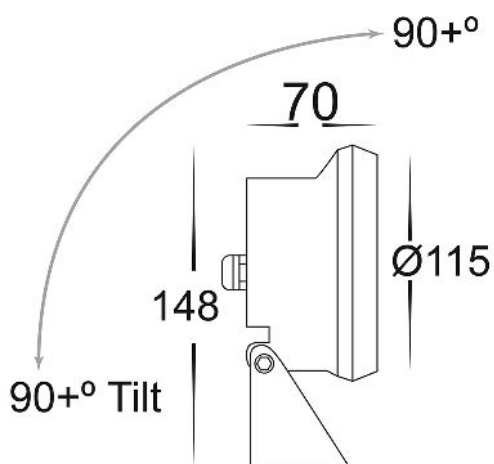
## PRODUCT SPECIFICATIONS

**Name:** Sotto  
**Material:** 316 Stainless Steel  
**Colour:** Stainless Steel  
**IP Rating:** IP68  
**Lamp Base:** MR16  
**CRI:** ≥80  
**Cable Length:** 6000mm  
**Installation Depth:** Up to 3000mm  
**Wiring:** Parallel  
**Dimmable:** No  
**Warranty:** 2 Years Replacement\*\*

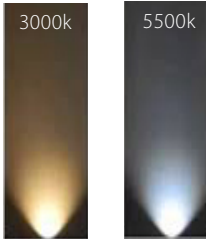


(Optional garden spike)  
not supplied  
HV350-SPK

## DIMENSIONS



## COLOUR TEMPERATURE



## IP RATING



## APPROVALS



## Product Ordering

IMAGE	PART NUMBER	COLOURTEMP	LUMENS	INPUT	BEAM ANGLE	INCLUDED LED
	<b>HV1494C</b>	5500K	975lm	12v DC	40°	15w Built in LED
	<b>HV1494W</b>	3000K	873lm			

12v DC models must be used with suitable 12v DC LED Driver

\* Lumen output measured at source

\*\* See Warranty Terms and Conditions for more information

For more information contact Havit Lighting

ADDRESS:  
143 Beauchamp Road  
Matraville NSW 2036  
Australia

Tel: 02 9381 8300  
Fax: 02 9666 8881  
Email: sales@hav.it.com.au  
web: www.havit.com.au