



Operator's manual  
**HUSQVARNA AUTOMOWER®**  
**535 AWD**



EN, English

Read the operator's manual carefully and make sure that you understand the instructions before you use the product.

---

# Contents

---

<b>1 Introduction</b>	
1.1 Support.....	3
1.2 Product description.....	3
1.3 Automower® Connect.....	3
1.4 Automower® Intelligent Mapping (AIM).....	3
1.5 Product overview .....	4
1.6 Symbols on the product.....	5
1.7 Symbols on the battery.....	6
1.8 General safety instructions.....	6
<b>2 Safety</b>	
2.1 Safety information.....	7
2.2 Safety definitions.....	8
2.3 Safety instructions for operation.....	8
<b>3 Installation</b>	
3.1 Introduction - Installation.....	11
3.2 Main components for installation.....	11
3.3 General preparations.....	11
3.4 Before the installation of the wires.....	11
3.5 Installation of the product.....	16
3.6 To put the wire into position with stakes.....	18
3.7 To bury the boundary wire or the guide wire.....	19
3.8 To extend the boundary wire or the guide wire... ..	19
3.9 After the installation of the product.....	19
3.10 Automower® Connect.....	19
3.11 Automower® Intelligent Mapping (AIM).....	20
3.12 To start the product for the first time.....	21
3.13 Settings.....	21
<b>4 Operation</b>	
4.1 To switch on the product.....	26
4.2 Operating modes.....	26
4.3 To stop the product.....	27
4.4 To switch off the product.....	27
4.5 To charge the battery.....	27
4.6 To adjust the cutting height with Automower® Connect.....	28
<b>5 Maintenance</b>	
5.1 Introduction - maintenance.....	29
5.2 Clean the product.....	29
5.3 Replacement of the blades.....	30
5.4 To replace the top covers.....	31
5.5 Battery.....	33
5.6 Winter service.....	33
<b>6 Troubleshooting</b>	
6.1 Introduction - troubleshooting.....	34
6.2 Fault messages.....	34
6.3 Information messages.....	40
6.4 LED indicator of the charging station.....	40
6.5 Symptoms.....	41
6.6 Find breaks in the loop wire.....	43
<b>7 Transportation, storage and disposal</b>	
7.1 Transportation.....	46
7.2 Storage.....	46
7.3 Disposal.....	46
<b>8 Technical data</b>	
8.1 Technical data.....	48
8.2 Registered trademarks.....	50
<b>9 Warranty</b>	
9.1 Warranty terms.....	51
<b>10 EU Declaration of Conformity</b>	
<b>11 UK Declaration of Conformity</b>	

---

# 1 Introduction

---

<b>Serial number:</b>
<b>Product number:</b>
<b>PIN code:</b>

The serial number and the product number are on the product rating plate and on the product carton.

- Register your product on [www.husqvarna.com](http://www.husqvarna.com). Enter the serial number of the product, the product number and the date of purchase to register your product.

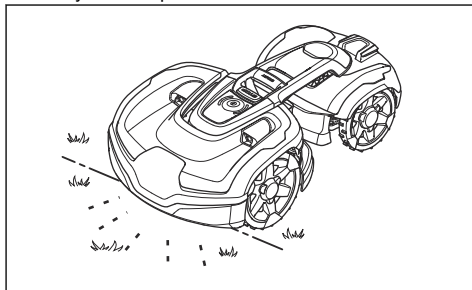
## 1.1 Support

For support about the product, speak to your Husqvarna servicing dealer.

## 1.2 Product description

**Note:** Husqvarna regularly updates the appearance and function of the products. Refer to *Support on page 3*.

The product is a robotic lawn mower. The product has a battery power source and cuts the grass automatically. It continuously alternates between mowing and charging. The movement pattern is random, which means that the lawn is mowed evenly and with less wear. The boundary wire and the guide wire controls the movement of the product within the work area. Sensors in the product senses when it is approaching the boundary wire. The front of the product always passes the boundary wire by a specific distance before the product turns around. When the product hits an obstacle or approaches the boundary wire the product selects a new direction.



The operator selects the operation settings in the Automower® Connect app. The app shows the selected and possible operation settings, and the operation mode of the product.

### 1.2.1 Mowing technique

The product is emission free, easy to use and saves energy. The frequent cutting technique improves the grass quality and decreases the use of fertilizers. Collection of grass is not necessary.

### 1.2.2 Find the charging station

The product operates until the battery state of charge is low, then it starts to go to the charging station. The product has 3 search methods to find the charging station. Refer to *To find the charging station on page 22*.

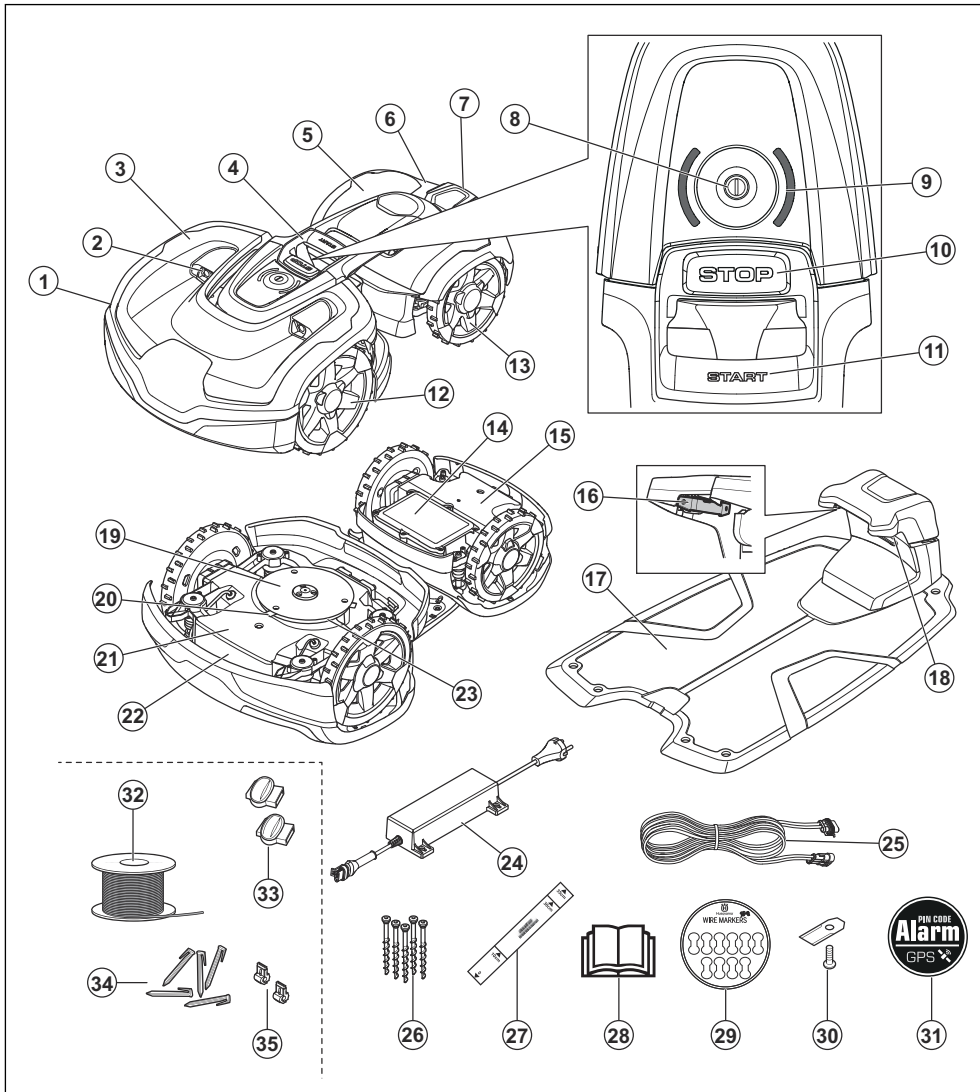
### 1.3 Automower® Connect

Automower® Connect is a mobile application that makes it possible to select the operation settings remotely. Refer to *Automower® Connect on page 19*.

### 1.4 Automower® Intelligent Mapping (AIM)

Automower® Intelligent Mapping (AIM) is available in the Automower® Connect app. Use Automower® Intelligent Mapping (AIM) to make a virtual map of your lawn and installation. In the map you can make virtual work areas and stay-out zones. Refer to *Automower® Intelligent Mapping (AIM) on page 20*.

## 1.5 Product overview



- |                       |                         |
|-----------------------|-------------------------|
| 1. Front body         | 8. On/Off-button        |
| 2. Ultrasonic sensors | 9. LED status indicator |
| 3. Front top cover    | 10. <b>STOP</b> button  |
| 4. Lifting handle     | 11. <b>START</b> button |
| 5. Rear top cover     | 12. Front wheels        |
| 6. Rear body          | 13. Rear wheels         |
| 7. Charging plates    | 14. Battery cover       |

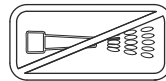
15. Rear chassis box with electronics, motors and battery
16. LED for operation check of the charging station and boundary wire
17. Charging station
18. Contact strips
19. Skid plate
20. Blades
21. Front chassis box with electronics and motors
22. Rating plate (incl. product identification code)
23. Blade disc
24. Power supply (the appearance of the power supply may differ depending on market)
25. Low-voltage cable
26. Screws for securing the charging station
27. Measurement gauge for help when installing the boundary wire (the measurement gauge is broken loose from the box)
28. Operator's Manual and Quick Guide
29. Cable markers
30. Extra blades
31. Alarm decal
32. Loop wire for boundary loop and guide wire <sup>1</sup>
33. Couplers for loop wire <sup>2</sup>
34. Stakes<sup>3</sup>
35. Connector for the loop wire <sup>4</sup>



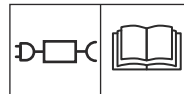
**WARNING:** Keep a safe distance from the product when operating. Keep your hands and feet away from the rotating blades.



**WARNING:** Do not ride on the product. Do not put your hands or feet close to or under the product.



Do not use a high-pressure washer or even running water to clean the product.



Use a detachable power supply as defined on the rating label next to the symbol.



This product complies with the applicable EU Directives.



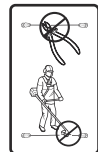
This product complies with the applicable UK Directives.



It is not permitted to dispose this product as normal household waste. Ensure that the product is recycled in accordance with local legal requirements.



The chassis contains components which are sensitive to electrostatic discharge (ESD). The chassis must also be resealed in a professional manner. For these reasons the chassis shall only be opened by authorized service technicians. A broken seal can result in the entire or parts of the guarantee no longer being valid.



The low-voltage cable must not be shortened, extended or spliced.

Do not use a trimmer nearby the low-voltage cable. Be careful when trimming edges where the cables are placed.

## 1.6 Symbols on the product

These symbols can be found on the product. Study them carefully.



**WARNING:** Read the user instructions before operating the product.



**WARNING:** Disable the product before working on or lifting the product.

<sup>1</sup> Is a part of the Installation kit which is purchased separately.

<sup>2</sup> Refer to note 1

<sup>3</sup> Refer to note 1

<sup>4</sup> Refer to note 1

## 1.7 Symbols on the battery



**WARNING:** Lithium-ion batteries can explode or cause fire if disassembled, short-circuited or handled roughly. Do not expose to water, fire or high temperature.



Read the user instructions.



Do not discard the battery into fire and do not expose the battery to a heat source.



Do not immerse the battery into water.

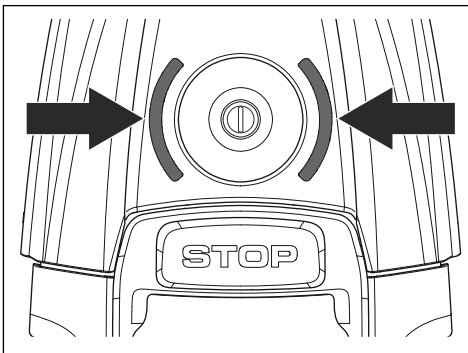
LED indication	Status
Green	In operation
Blue	Parked
Red	Error
Yellow	Paused/stopped
Flashing yellow	PIN code needed
Pulsating green/blue	Charging in progress
Flashing green/blue	Push the <b>ON/OFF</b> button to confirm start of operation
Flashing green, low-frequency	Inactive
White	While switching off

## 1.8 General safety instructions

The following system is used in the Operator's Manual to make it easier to use:

- Text written in *italics* is a text that is shown in the Automower® Connect app or is a reference to another section in the Operator's Manual.
- Text written in **bold** is one of the buttons on the product.
- Text written in *UPPERCASE* and *italics* refer to the different operating modes available in the product.

### 1.8.1 LED status indicator



---

## 2 Safety

---

### 2.1 Safety information

#### **2.1.1 IMPORTANT. READ CAREFULLY BEFORE USE. KEEP FOR FUTURE REFERENCE**

The operator is responsible for accidents or hazards occurring to other people or property.

This appliance is not intended for use by persons (including children) with reduced physical, sensory or mental capabilities (that could affect a safe handling of the product), or lack of experience and knowledge, unless they have been given supervision or instruction concerning use of the appliance by a person responsible for their safety.

This appliance can be used by children aged from 8 years and above and persons with reduced physical, sensory or mental capabilities or lack of experience and knowledge if they have been given supervision or instruction concerning use of the appliance in a safe way and understand the hazards involved. Local regulations may restrict the age of the operator. Cleaning and maintenance shall not be made by children without supervision.

Never connect the power supply to an outlet if the plug or cord is damaged. Worn or damaged cord increase the risk of electric shock.

Only charge the battery in the included charging station. Incorrect use may result in electric shock, overheating or leaking of corrosive liquid from the battery. In the event of leakage of electrolyte, flush with water/neutralizing agent. Seek medical help if it comes in contact with the eyes.

Use only original batteries recommended by the manufacturer. Product safety cannot be guaranteed with other than original batteries. Do not use non-rechargeable batteries.

The appliance must be disconnected from the supply mains when removing the battery.



**WARNING:** The product can be dangerous if used incorrectly.



**CAUTION:** Used if there is a risk of damage to the product, other materials or the adjacent area if the instructions in the manual are not obeyed.



**WARNING:** Do not use the product when persons, especially children, or animals are in the work area.



**WARNING:** Keep your hands and feet away from the rotating blades. Never put your hands or feet close to or under the product when it is switched on.



**WARNING:** In the event of an injury or accident seek medical help.

## 2.2 Safety definitions

Warnings, cautions and notes are used to point out specially important parts of the manual.



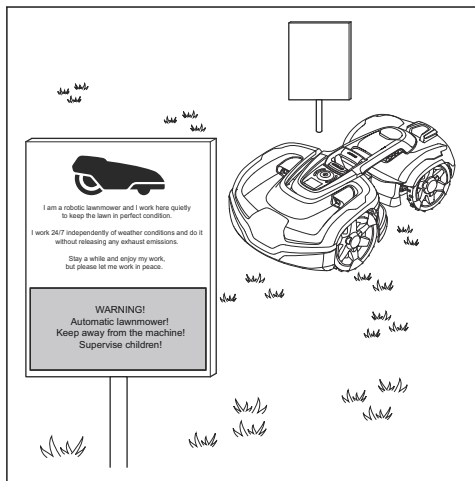
**WARNING:** Used if there is a risk of injury or death for the operator or bystanders if the instructions in the manual are not obeyed.

**Note:** Used to give more information that is necessary in a given situation.

## 2.3 Safety instructions for operation

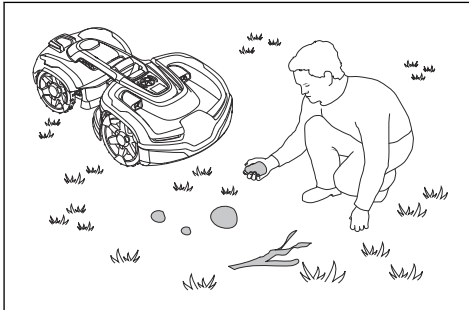
### 2.3.1 Use

- The product may only be used with the equipment recommended by the manufacturer. All other types of use are incorrect. The manufacturer's instructions with regard to operation/maintenance must be followed precisely.
- The product may only be operated, maintained and repaired by persons that are fully conversant with its special characteristics and safety regulations. Please read the Operator's Manual carefully and make sure you understand the instructions before using the product.
- It is not permitted to modify the original design of the product. All modifications are made at your own risk.
- Warning signs shall be placed around the work area of the product if it is used in public areas. The signs shall have the following text: **Warning! Automatic lawn mower! Keep away from the machine! Supervise children!**





- Use the park mode, refer to *Park on page 26* or switch off the product when persons, especially children or animals are in the work area. Refer to *To switch off the product on page 27*. It is recommended to program the product for use during hours when the area is free from activity. Consider that certain animals, e.g. hedgehogs, are active at night. They can potentially be harmed by the product. Refer to *Schedule on page 21*.
- Do not install the charging station, including any accessory, at a location that is below, or within 60 cm / 24 in. from, any combustible material. Do not install the power supply unit in easily flammable surroundings. In case of malfunction, heating of the charging station and the power supply may occur and create a potential risk of fire.
- Check that there are no foreign objects such as stones, branches, tools or toys on the lawn. If the blades hit foreign objects the blades can be damaged. Always switch off the product before clearing a blockage. Inspect the product for damage before starting the product again. Refer to *To switch off the product on page 27*.



- If the product starts to vibrate abnormally. Always switch off the product and inspect for damage before starting the product again. Refer *To switch off the product on page 27*.
- Switch on the product according to the instructions. When the product is switched on; make sure to keep your hands and feet away from the rotating blades. Never put your hands and feet under the product.
- Never touch moving hazardous parts, such as the blade disc, before it has come to a complete stop.
- Never lift up the product or carry it around when it is switched on.
- The product must never be allowed to collide with persons or other living creatures. If a person or other living creature comes in the way of the product, it shall be stopped immediately. Refer to *To stop the product on page 27*.
- Do not put anything on top of the product or its charging station.

- Do not allow the product to be used with a defective guard, blade disc or body. Neither should it be used with defective blades, screws, nuts or cables. Never connect a damaged cable, or touch a damaged cable before it is disconnected from the supply.
- Do not use the product if the **STOP** button does not work.
- Always switch off the product when it is not in use. The product can only start when the correct PIN code has been entered.
- The product must never be used at the same time as a sprinkler. Use the *Schedule* function so the product and sprinkler never run simultaneously. Refer to *Schedule on page 21*.
- Husqvarna does not guarantee full compatibility between the product and other types of wireless systems such as remote controls, radio transmitters, hearing loops, underground electric animal fencing or similar.
- The built-in alarm is very loud. Be careful, especially if the product is handled indoors.
- Metal objects in the ground (for example reinforced concrete or anti-mole nets) can result in a stoppage. The metal objects can cause interference with the loop signal which then can lead to a stoppage.
- Operation and storage temperature is 0-50 °C / 32-122 °F. Temperature range for charging is 0-45 °C / 32-113 °F. Too high temperatures might cause damage to the product.

### 2.3.2 Battery safety



**WARNING:** Lithium-ion batteries can explode or cause fire if disassembled, short-circuited, exposed to water, fire, or high temperatures. Handle carefully, do not dismantle, open the battery or use any type of electrical/mechanical abuse. Avoid storage in direct sunlight.

For more information about the battery, refer to *Battery on page 33*

### 2.3.3 How to lift and move the product



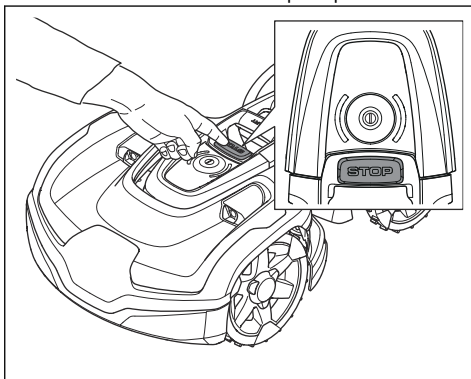
**WARNING:** The product must be switched off before you lift it. The product is switched off when the LED status indicator is not lit.



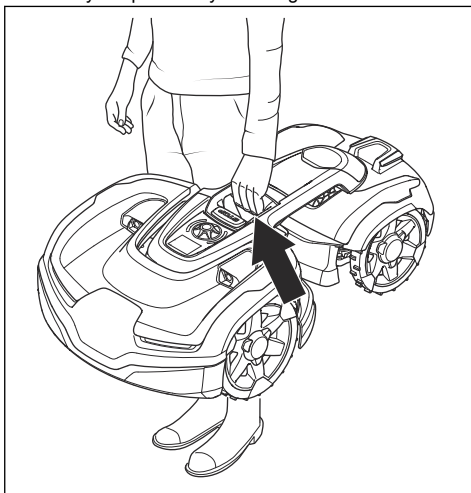
**CAUTION:** Do not lift the product when it is parked in the charging station. It can damage the charging station and/or the product. Push the **STOP** button and pull the product out of the charging station before lifting it.

To safely move from or within the work area:

1. Push the **STOP** button to stop the product.



2. Enter the PIN code if required.
3. Push the **ON/OFF** button for 3 seconds to switch off the product.
4. Make sure that the LED status indicator is not lit.
5. Carry the product by the lifting handle.



## 2.3.4 Maintenance



**WARNING:** The product must be switched off before it is turned upside down and before any maintenance is done.



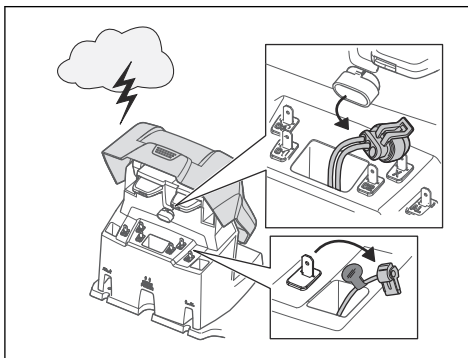
**CAUTION:** Do not use a high-pressure washer or even running water to clean the product. Do not use solvents for cleaning.



**WARNING:** Use the plug to disconnect the charging station before any cleaning or maintenance of the charging station or the loop wire.

Inspect the product each week and replace any damaged or worn parts. Refer to *Maintenance on page 29*.

## 2.3.5 In the event of a thunderstorm



To reduce the risk of damage to electrical components in the product and the charging station, we recommend that all connections to the charging station are disconnected (power supply, boundary wire and guide wire) if there is a risk of a thunderstorm.

1. Mark the wires to simplify reconnecting. The charging station's connections are marked AR, AL and G1, G2, G3.
2. Disconnect all connected wires and the power supply.
3. Connect all the wires and the power supply if there is no longer a risk of thunder. It is important that each wire is connected to the right place.

---

## 3 Installation

---

### 3.1 Introduction - Installation

---



**WARNING:** Read and understand the safety chapter before you install the product.

---



**CAUTION:** Use original spare parts and installation material.

---

**Note:** Refer to [www.husqvarna.com](http://www.husqvarna.com) for more information about installation.

---

### 3.2 Main components for installation

The installation involves the following components:

- A robotic lawn mower that mows the lawn automatically.
- A charging station, which has 3 functions:
  - To send control signals along the boundary wire.
  - To send control signals along the guide wire so that the product can follow the guide wire to specific remote areas in the garden and can find its way back to the charging station.
  - To charge the product.
- A power supply, which is connected to the charging station and a 100-240V power outlet.
- Loop wire, which is laid around the work area and around objects and plants that the product must not run into. The loop wire is used both as boundary wire and guide wire.

### 3.3 General preparations

---



**CAUTION:** Holes with water in the lawn can cause damage to the product.

---

**Note:** Read through the Installation chapter before beginning the installation. How the installation is done affects how the product performs. It is therefore important to plan the installation carefully.

---

- Make a blueprint of the work area and include all obstacles. This makes it easier to see the ideal positions for the charging station, the boundary wire and the guide wire.
- Make a mark on the blueprint where to put the charging station, the boundary wire and the guide wire.

- Make a mark on the blueprint where the guide wire connects to the boundary wire. Refer to *To install the guide wire on page 18*.
  - Fill in holes in the lawn.
  - Cut the grass before you install the product. Make sure that the grass is maximum 10 cm / 4 in.
- 

**Note:** The first weeks after installation the perceived sound level when cutting the grass may be higher than expected. When the product has cut the grass for some time, the perceived sound level is much lower.

---

### 3.4 Before the installation of the wires

You can select to attach the wires with stakes or bury them. You can use the 2 procedures for the same work area.

---



**CAUTION:** If you use a dethatcher in the work area, bury the boundary wire and the guide wire to prevent them from damage.

---

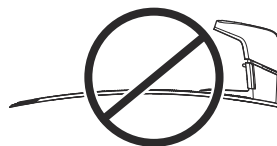
#### 3.4.1 To examine where to put the charging station

- Keep a minimum 3 m / 10 ft. of free space in front of the charging station.
- Keep a minimum of 1.5 m / 5 ft. of free space to the right and to the left of the charging station.
- Put the charging station near a power outlet.
- Put the charging station on a level surface.
- The baseplate of the charging station must not be bent.



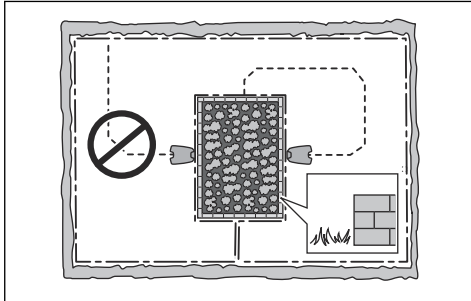
max. 5 cm / 2"

max. 5 cm / 2"



- Put the charging station in the largest open section of the work area.
  - Put the charging station in an area without an irrigation system.
-

- Put the charging station in an area with protection from the sun.
- If the charging station is installed on an island, make sure to connect the guide wire to the island. Refer to *To make an island on page 14.*



### 3.4.2 To examine where to put the power supply



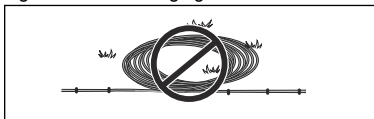
**WARNING:** Do not cut or extend the low-voltage cable. There is a risk of electrical shock.



**CAUTION:** Make sure that the blades on the product do not cut the low-voltage cable.



**CAUTION:** Do not put the low-voltage cable in a coil or below the charging station plate. The coil causes interference with the signal from the charging station.



- Put the power supply in an area with a roof and protection from the sun and rain.
- Put the power supply in an area with good airflow.
- Use a residual-current device (RCD) with a tripping current of maximum 30 mA when you connect the power supply to the power outlet.

Low-voltage cables of different lengths are available as accessories.

### 3.4.3 To examine where to put the boundary wire



**CAUTION:** There must be a barrier of minimum 15 cm / 6 in. in height between the boundary wire and water bodies, slopes, precipices or public roads. This will prevent damage to the product.



**CAUTION:** Do not let the product operate on gravel.



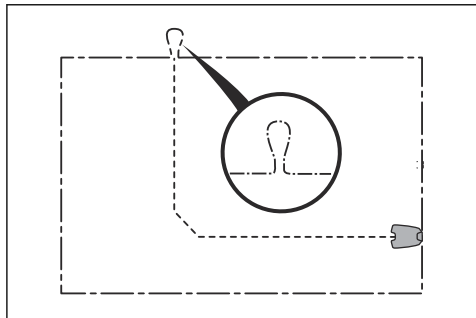
**CAUTION:** Do not make sharp bends when you install the boundary wire.



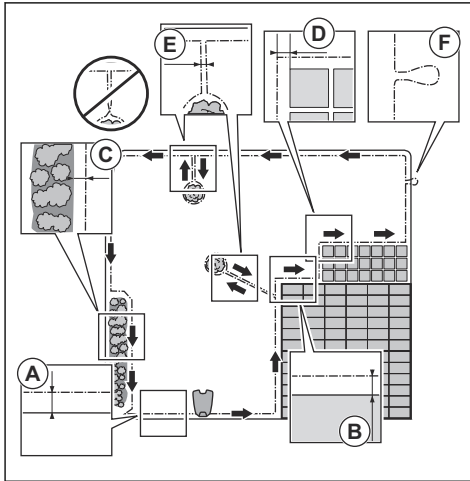
**CAUTION:** For careful operation without noise, isolate all obstacles such as trees, roots and stones.

The boundary wire should be put as a loop around the work area. Sensors in the product senses when the product approaches the boundary wire, and the product selects another direction. All parts of the work area must be maximum 35 m / 115 ft. from the boundary wire.

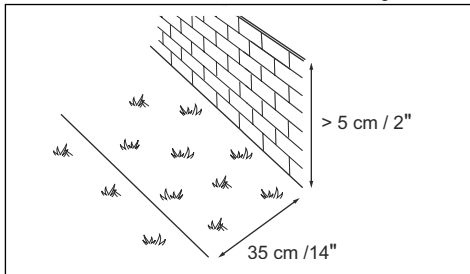
To make the connection easier between the guide wire and the boundary wire, it is recommended to make an eyelet where the guide wire will be connected. Make the eyelet with approximately 20 cm / 8 in. of the boundary wire.



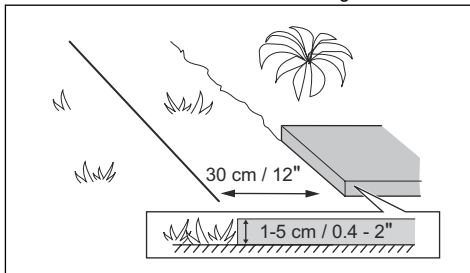
**Note:** Make a blueprint of the work area before you install the boundary wire and guide wire.



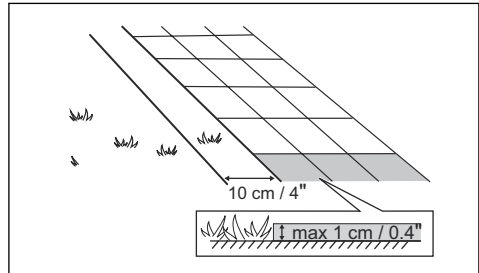
- Put the boundary wire around all of the work area (A). Adapt the distance between the boundary wire and obstacles.
- Put the boundary wire 35 cm / 14 in. (B) from an obstacle that is more than 5 cm / 2 in. high.



- Put the boundary wire 30 cm / 12 in. (C) from an obstacle that is 1-5 cm / 0.4-2 in. high.



- Put the boundary wire 10 cm / 4 in. (D) from an obstacle that is less than 1 cm / 0.4 in. high.



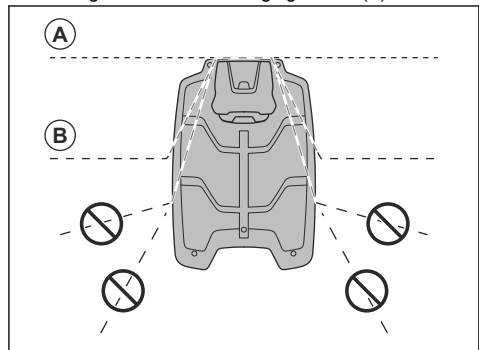
- If you have a paving stone path that is in level with the lawn, put the boundary wire below the paving stone.

**Note:** If the paving stone is minimum 30 cm / 12 in. wide, use the factory setting for the *Drive Past Wire* function to cut all the grass adjacent to the paving stone. Refer to *Drive Past Wire* on page 24.

- If you make an island, put the boundary wire that runs to and from the island near together (E). Put the wires in the same stake. Refer to *To make an island* on page 14.
- Make an eyelet (F) where the guide wire is to be connected to the boundary wire.

### 3.4.4 To examine how to put the boundary wire around the charging station

- Husqvarna recommends to put the boundary wires straight out from the charging station (A).



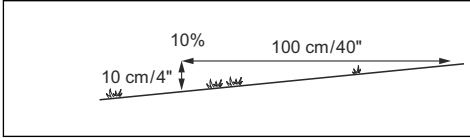
- If it is necessary you can put the boundary wire below the charging station in an angle (B).

**Note:** Do not put the boundary wire too far below the charging station. The product can find it hard to find and enter the charging station.

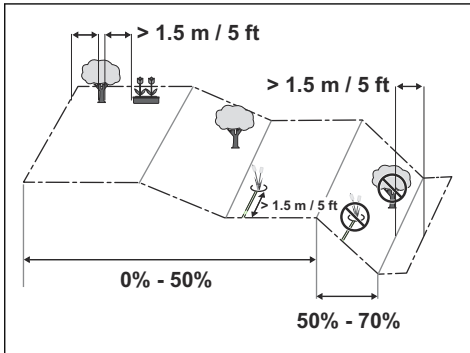
#### 3.4.4.1 To put the boundary wire in a slope

The product can operate in 70% slopes. Slopes that are more than 70% must be isolated with the boundary wire.

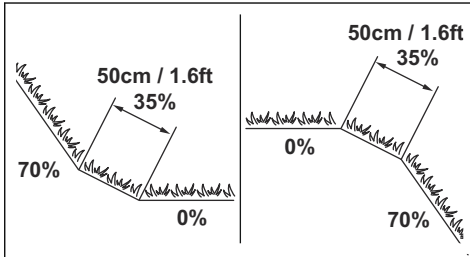
The gradient (%) is calculated as height for each m.  
 Example: 10 cm / 100 cm = 10%.



- The product operates as usual in slopes that are maximum 50% in the work area. Keep a distance of 1.5 m / 5 ft between the boundary wire and obstacles, or between obstacles.
- For slopes between 50-70%, make sure that there are no obstacles in the slope. There must be a distance of 1.5 m / 5 ft from the bottom of the slope to the boundary wire.



- Make sure that there is an area of cm / ft. between level ground and steep slopes.



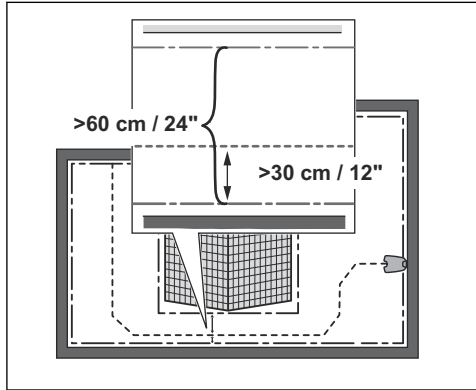
- For slopes adjacent to a public road, put an obstacle of minimum 15 cm / 6 in. along the outer edge of the slope. You can use a wall or a fence as an obstacle.

#### 3.4.4.2 Passages

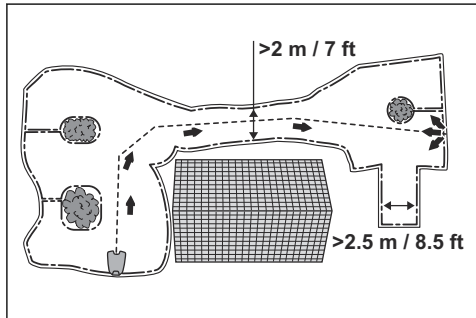
A passage is a section that has boundary wire on each side and that connects 2 parts of the work area. The passage must be a minimum of 2 m / 6.5 ft wide to get a good cutting result. Short passages can be as narrow as 60 cm / 2 ft., if a guide wire is installed through the passage. A long narrow passage can have a negative impact of the cutting result.

**Note:** If a passage is less than 2 m / 6.5 ft. wide, install a guide wire through the passage.

The product always runs to the left of the guide wire as seen facing the charging station. It is recommended that the distance between the guide wire and boundary wire is one third of the total width of the passage on the right side and two thirds of the total width of the passage to the left of the guide wire (A). The minimum distance between the guide wire and the boundary wire is 30 cm / 12 in.



A dead end must be a minimum of 2.5 m / 8.5 ft. wide.



#### 3.4.4.3 To make an island



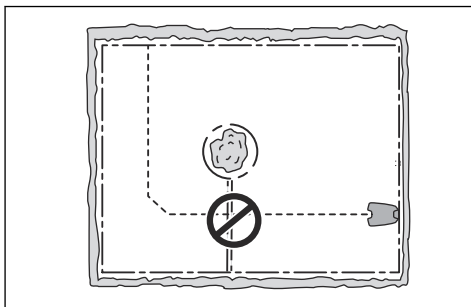
**CAUTION:** Do not put a section of boundary wire across the other. The sections of boundary wire must be parallel.



**CAUTION:** Do not put the guide wire across the boundary wire.



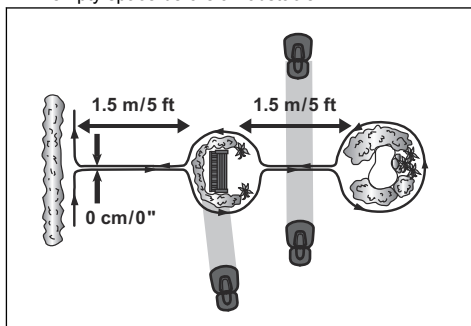
**CAUTION:** Isolate or remove obstacles that are less than 15 cm / 6 in. in height. Isolate or remove obstacles that slope slightly, for example, stones, trees or roots. This will prevent damage to the blades of the product.



To make an island, isolate areas in the work area with the boundary wire. We recommend to isolate all stable objects in the work area.

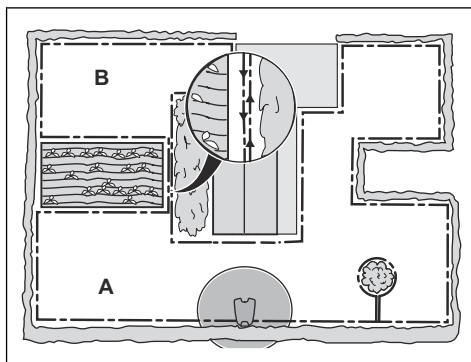
Some obstacles are resistant to a collision, for example, trees or bushes that are more than 15 cm / 6 in. in height. The product will collide with the obstacle and then select a new direction.

- Put the boundary wire to and around the obstacle to make an island.
- Put the 2 sections of boundary wire to and from the island close together. This will make the product run across the wire.
- Put the 2 sections of boundary wire in the same stake.
- Make sure that there is a minimum of 1.5 m / 5 ft of empty space before an obstacle.



#### 3.4.4.4 To make a secondary area

Make a secondary area (B) if the work area has 2 areas that are not connected with a passage. The work area with the charging station is the main area (A).



**Note:** The product must be manually moved between the main area and the secondary area.

- Put the boundary wire around the secondary area (B) to make an island. Refer to *To make an island on page 14*.

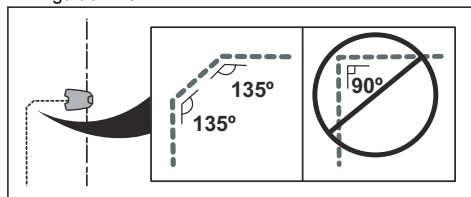
**Note:** The boundary wire must be put as 1 loop around all of the work area (A + B).

**Note:** When the product cuts grass in the secondary area, the *Secondary area* mode must be selected. Refer to *Secondary area on page 26*.

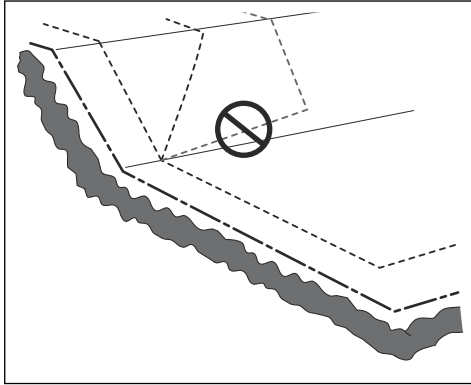
#### 3.4.5 To examine where to put the guide wire

Put the guide wire from the charging station through the work area and connect it to the boundary wire. This product has 3 guide wires. Use the same approach for all guide wires.

- Put the guide wire in a line at a minimum of 2 m / 7 ft. in front of the charging station.
- Make sure that the guide wire has as much free area as possible to the left of the guide wire when facing the charging station.
- Put the guide wire minimum 30 cm / 12 in. from the boundary wire.
- Do not make sharp bends when you install the guide wire.



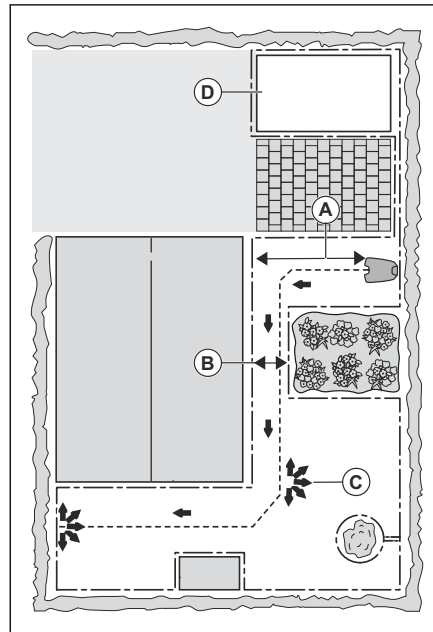
- If the work area has a slope, put the guide wire in a straight line from the bottom of the slope to the top of the slope. If it is not possible to make a straight line, put the guide wire diagonally across the slope.



**CAUTION:** Do not put the guide wire in parallel with the slope, as the illustration shows. This can increase the wear on the grass.

### 3.4.6 Work area examples

- If the charging station is put in a small area (A), make sure that the distance to the boundary wire is at a minimum 3 m / 10 ft. in front of the charging station.
- If the work area has a passage (B) with no guide wire installed, the recommended minimum distance between the boundary wires is 2 m / 6.5 ft. With a guide wire installed through the passage, the recommended minimum distance between the boundary wires is 60 cm / 24 in.
- If the work area has areas which are connected by a narrow passage (B), you can set the product to first follow and then leave the guide wire after a certain distance (C). The settings can be changed in *Lawn coverage on page 23*.
- Use the GPS Assisted Navigation that helps the product select the most optimal operation. Refer to *Lawn coverage on page 23*.
- If the work area includes a secondary area (D), refer to *To make a secondary area on page 15*. Put the product in the secondary area and select *Secondary area mode*.



## 3.5 Installation of the product

### 3.5.1 Installation tools

- Hammer/plastic mallet: To simplify putting the stakes into the ground.
- Edge cutter/straight spade: To bury the boundary wire.
- Combination pliers: For cutting the boundary wire and pressing the connectors together.
- Adjustable plier: For pressing the couplers together.

### 3.5.2 To install the charging station



**WARNING:** Obey national regulations about electrical safety.



**WARNING:** The product is only to be used with the power supply unit supplied by Husqvarna.



**WARNING:** Do not put the power supply at a height where there is a risk it can be put in water. Do not put the power supply on the ground.





**WARNING:** Do not encapsulate the power supply. Condensed water can harm the power supply and increase the risk of electrical shock.



**WARNING:** Risk of Electric Shock. Install only to a residual-current device (RCD) with a tripping current of maximum 30 mA when connecting the power supply to the power outlet. Applicable to USA/Canada. If power supply is installed outdoors: Risk of Electric Shock. Install only to a covered Class A GFCI receptacle (RCD) that has an enclosure that is weatherproof with the attachment plug cap inserted or removed.



**CAUTION:** Do not make new holes in the charging station plate.



**CAUTION:** Do not put your feet on the baseplate of the charging station.



**WARNING:** The power supply cable and extension cable must be outside the work area to avoid damage to the cables.



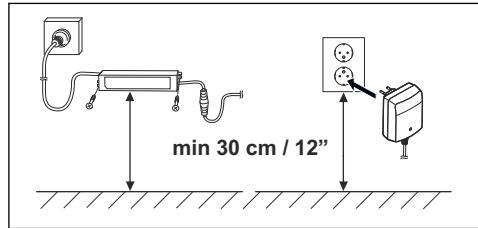
**WARNING:** Make sure that the plugs of the low-voltage cable and the power supply unit are clean and dry before you connect them.

When connecting the power supply, only use a power outlet that is connected to a residual-current device (RCD).

1. Read and understand the instructions about where to put the charging station. Refer to *To examine where to put the charging station on page 11*.
2. Put the charging station in the selected area.

**Note:** Do not attach the charging station with the screws to the ground until the guide wire is installed. Refer to *To install the guide wire on page 18*.

3. Connect the low-voltage cable to the charging station.
4. Put the power supply at a minimum height of 30 cm / 12 in.



5. Connect the power supply cable to a 100-240V power outlet.

**Note:** When the charging station is connected, it is possible to charge the product. Put the product in the charging station while the boundary and guide wires are being laid. Switch on the product to start charging the product. Refer to *To switch on the product on page 26*. Do not continue with any product settings before the installation is complete.

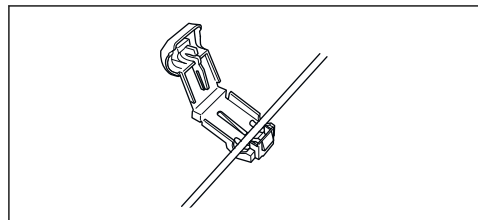
6. Put the low-voltage cable in the ground with stakes or bury the cable. Refer to *To put the wire into position with stakes on page 18* or *To bury the boundary wire or the guide wire on page 19*.
7. Connect the wires to the charging station after the installation of boundary wire and guide wire is complete. Refer to *To install the boundary wire on page 17* and *To install the guide wire on page 18*.
8. Attach the charging station to the ground with the supplied screws after the guide wire is installed. Refer to *To install the guide wire on page 18*.

### 3.5.3 To install the boundary wire

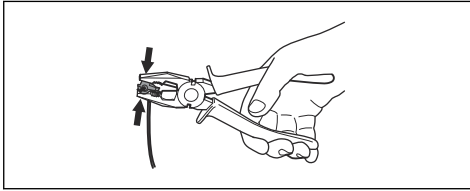


**CAUTION:** Do not put remaining wire in a coil. The coil causes interference with the product.

1. Put the boundary wire around all of the work area. Start and complete the installation behind the charging station.
2. Open the connector and put the boundary wire in the connector.



3. Close the connector with a pair of pliers.



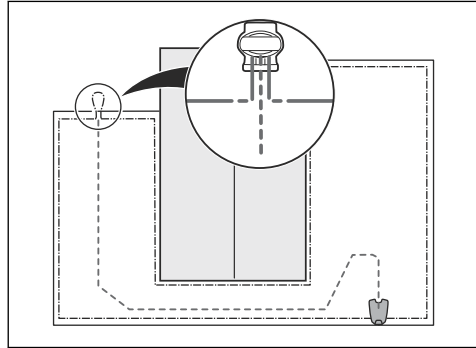
4. Cut the boundary wire 1-2 cm / 0.4-0.8 in. above each connector.
5. Put the right end of boundary wire into the channel with the mark "AR".
6. Put the left end of boundary wire into the channel with the mark "AL".
7. Push the right connector onto the metal pin on the charging station with the mark "AR".
8. Push the left connector onto the metal pin on the charging station with the mark "AL".
9. Put the cable mark on the left and right boundary wire. Do not walk on the charging station.

### 3.5.4 To install the guide wire



**CAUTION:** Twinned cables, or a screw terminal block that is insulated with insulation tape are not satisfactory splices. Soil moisture will cause the wire to oxidize and after a time result in a broken circuit.

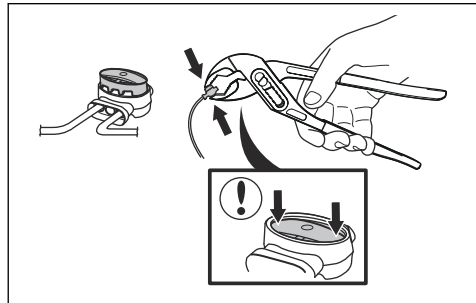
1. Open the connector and put the wires in the connector.
2. Close the connector with a pair of pliers.
3. Cut the guide wires 1-2 cm / 0.4-0.8 in. above each connector.
4. Put the guide wires centrally below the charging station plate, and push them through the slot in the charging station tower.
5. Push the connector onto the metal pin on the charging station with the mark "G1, G2" or "G3".
6. Disconnect the charging station from the power outlet.
7. Put the cable mark on the guide wires.
8. Put the end of the guide wires at the eyelet on the boundary wire.
9. Cut the boundary wire with a pair of wire cutters.
10. Connect the guide wires to the boundary wire with a coupler.



- a) Put the 2 ends of the boundary wire and the end of the guide wires into the coupler.

**Note:** Make sure that you can see the end of the guide wires through the transparent area of the coupler.

- b) Push down the cover on the coupler with adjustable pliers to attach the wires in the coupler.



11. Attach the guide wires to the ground with stakes or bury the guide wires in the ground. Refer to *To put the wire into position with stakes on page 18* or *To bury the boundary wire or the guide wire on page 19*.
12. Connect the charging station to the power outlet.

### 3.6 To put the wire into position with stakes



**CAUTION:** Make sure that the stakes hold the boundary wire and the guide wire against the ground.



**CAUTION:** Cutting the grass too low right after installation can damage the wire insulation. Damage to the insulation may not cause disruptions until several weeks or months later.

1. Put the boundary wire and the guide wire on the ground.
2. Put the stakes at a maximum of 75 cm / 30 in. distance from each other.
3. Attach the stakes to the ground with a hammer or a plastic mallet.

**Note:** The wire is overgrown with grass and not visible after a few weeks.

### 3.7 To bury the boundary wire or the guide wire

- Cut a groove in the ground with an edge cutter or a straight shovel.
- Put the boundary wire or the guide wire 1-20 cm / 0.4-8 in. into the ground.

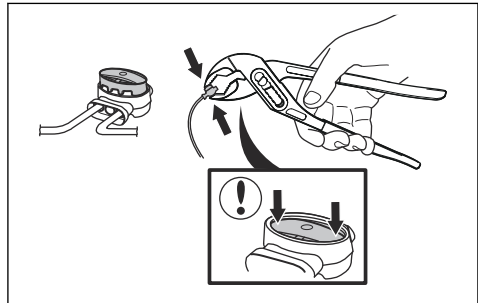
### 3.8 To extend the boundary wire or the guide wire

**Note:** Extend the boundary wire or the guide wire if it is too short for the work area. Use original spare parts, for example couplers.

1. Disconnect the charging station from the power outlet.
2. Cut the boundary wire or the guide wire with a pair of wire cutters where it is necessary to install the extension.
3. Add wire where it is necessary to install the extension.
4. Put the boundary wire or the guide wire into position.
5. Put the wire ends into a coupler.

**Note:** Make sure that you can see the ends of the boundary wire or the guide wire through the transparent area of the coupler.

6. Push down the cover on the coupler with adjustable pliers to attach the wires in the coupler.

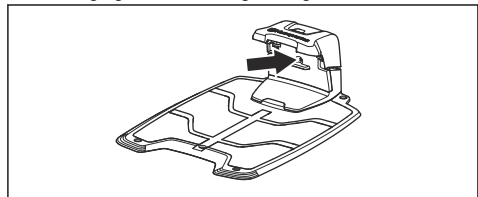


7. Put the boundary wire or the guide wire into position with stakes.
8. Connect the charging station to the power outlet.

## 3.9 After the installation of the product

### 3.9.1 To do a visual check of the charging station

1. Make sure that the indicator LED lamp on the charging station has a green light.

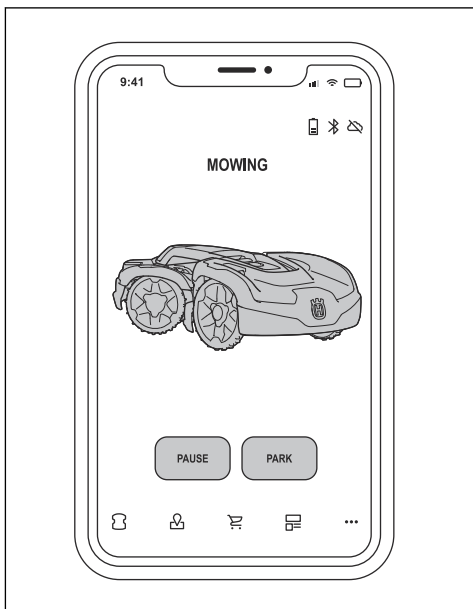


2. If the indicator LED lamp does not have a green light, do a check of the installation. Refer to *LED indicator of the charging station on page 40* and *To install the charging station on page 16*.

### 3.10 Automower® Connect

Automower® Connect is a free app for your mobile device. Use the app for installation, settings and operation of your product. You can also find more information for example about alarm and statistics in the Automower® Connect app.

The app gives 2 modes of connectivity: Long-range cellular connectivity and Short-range Bluetooth® connectivity.



- Dashboard that shows the current status of the product and the battery state of charge.

**Note:** All countries do not support cellular connection to Automower® Connect because of regional specified cellular systems. The included Automower® Connect lifetime service only applies if there is a third part sub-supplier of available in the operational area.

### 3.10.1 To install the Automower® Connect app

1. Download the Automower® Connect app on your mobile device.
2. Sign up for a Husqvarna account in the Automower® Connect app.
3. An e-mail is sent to the registered e-mail address. Follow the instructions in the e-mail in less than 24 hours to validate your account.
4. Log in to your Husqvarna account in the Automower® Connect app.

### 3.10.2 To pair Automower® Connect and the product

1. Do step 1-6 in *To start the product for the first time on page 21*.
2. Obey the instructions in the Automower® Connect app.

### 3.10.3 Download firmware over the air (Firmware over the air FOTA)

The product has a function that automatically downloads new firmware. When a new firmware is available, a notification shows in the app where you can select to install the new firmware. In the factory setting this function is enabled.

### 3.10.4 Automower® Direct

Automower® Direct uses short-range Bluetooth® communication, and is included in Automower® 535 AWD.

Husqvarna cannot guarantee the time period or coverage of the long-range cellular connectivity. It is possible to communicate with the product through Bluetooth® if you are in short-range of the product. You can use Automower® Direct without a Husqvarna account as long as you have the product PIN code.

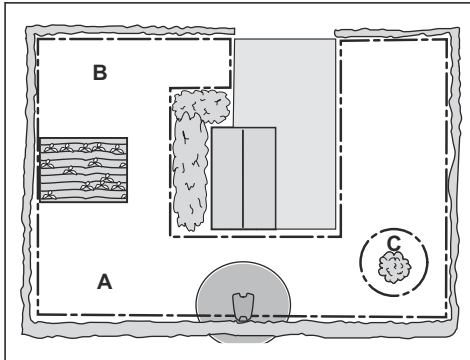
#### 3.10.4.1 To start to use Automower® Direct

1. Download the Automower® Connect app on your mobile device.
2. Select Automower® Direct on the start screen of the Automower® Connect app.
3. Start Bluetooth® on your mobile device and on the product, refer to *To start the product for the first time on page 21*.
4. Go to the *Settings* symbol in the display and activate Bluetooth®.
5. Select the product to pair with in the Automower® Connect app.
6. Enter the PIN code for the product.

**Note:** You have access to the menus and functions as long as you are in Bluetooth® short-range.

## 3.11 Automower® Intelligent Mapping (AIM)

Automower® Intelligent Mapping (AIM) is available in the Automower® Connect app. The technology uses different sensors, GPS included, in the product. The precision of the map is approximately m / ft.



Some of the functions with AIM are:

- It shows a map of the lawn in Automower® Connect app with charging station, boundary wire, guide wire and islands.
- You can make work areas (A) and (B) in the installation where you can set a schedule and cutting height for each work area.
- You can make stay-out zones (C) in which the product cannot enter and cut grass.

**Note:** With the AIM function you can set work areas and stay-out zones with a precision of approximately m / ft.

The data collection for the AIM map starts automatically. The product collects data while it operates and the map is completed in 1-2 weeks. Remove temporary obstacles on the lawn when the product operates and collects data. If you change the installation of the wires or charging station, you must do a new map. Read more about AIM in the Automower® Connect app.

## 3.12 To start the product for the first time

When the product is switched on for the first time, there are some basic settings to do before the product can start to operate.

1. Push the **ON/OFF** button for 3 seconds to switch on the product.

**Note:** The Bluetooth® pairing mode is on for 3 minutes and the LED light is flashing blue. If the product does not pair with Bluetooth® in 3 minutes, switch off the product. Wait until the LED status indicator is not lit, and then switch on the product again.

2. Enter the factory PIN code.

3. Log on to your Husqvarna account in the Automower® Connect app to pair your product with Automower® Connect.

**Note:** It is recommended to pair your product with Automower® Connect to get access to all functions in the product. If it is not necessary to pair your product with Automower® Connect, push the *arrow* symbol to continue to the menu.

4. Start Bluetooth® on your mobile device.
5. Select *My mowers* in the Automower® Connect app, and then select the plus sign (+).
6. Select model. The Automower® Connect app searches for available products within short-range (Bluetooth®).
7. Select product.
8. Obey the instructions in the Automower® Connect app.

## 3.13 Settings

The product has factory settings but the settings can be adapted to each work area.

### 3.13.1 Schedule



In *Schedule* you can change the schedule settings for the product.

The schedule function controls which hours the product should operate and not operate. When the product is not operating it is parked in the charging station. The operating hours and days can be seen in an overview in the Automower® Connect app.

The default schedule setting allows the product to operate around the clock 7 days a week. This is normally a suitable setting for a work area corresponding to the maximum capacity. If the work area is less than the maximum capacity the schedule should be used to minimize wear on the grass and to the product.

To calculate the schedule setting, refer to *To calculate the schedule setting on page 21*.

#### 3.13.1.1 To calculate the schedule setting

1. Calculate the dimension of your lawn in  $m^2 / yd^2$ .
2. Divide the  $m^2 / yd^2$  of the lawn with the approximate operation capacity. Refer to table below.
3. The result is equal to the number of hours that the product must operate each day.

**Note:** The operation capacity is approximate and is calculated for flat and open work area. If the work area has a lot of slopes or obstacles, you need to increase the *Schedule* settings.

Model	Approximate operation capacity, m <sup>2</sup> / yd <sup>2</sup> / h
Automower® 535 AWD	146 / 175

Example: A lawn of 500 m<sup>2</sup> / 600 yd<sup>2</sup>, cut with an Automower® 535 AWD.

500 m<sup>2</sup> / 146 ≈ 3.5 h.

600 yd<sup>2</sup> / 175 ≈ 3.5 h.

Days / week	h / day	Schedule settings
7	3.5	10:00 - 13:30 / 10 am - 1.30 pm

### 3.13.2 Cutting height



#### 3.13.2.1 Adjust the cutting height

The cutting height can be varied from MIN (3 cm / 1.2 in.) to MAX (7 cm / 2.8 in.).

**Note:** During the first week after a new installation, the cutting height must be set to MAX to avoid damaging the loop wire. After this, the cutting height can be lowered step by step every second week until the desired cutting height has been reached.

#### 3.13.2.2 TargetHeight

Use the TargetHeight function to lower the cutting height from MAX to the specified cutting height gradually during 10 days. If you change the cutting height manually during this time it will disable the TargetHeight function.

### 3.13.3 Operation



In *Operation* you can change the operation settings of the product.

#### 3.13.3.1 Object avoidance

The *Object avoidance* function makes the product decrease speed when it comes near an obstacle, and then it turns away from the obstacle.

**Note:** This can cause that the grass is not cut around the obstacle. This function can cause the product to not cut high grass satisfactorily.

#### 3.13.3.2 Weather timer

*Weather timer* automatically adjust the cutting time to the growth of the grass. The product is not permitted to operate more than the schedule settings.

**Note:** When using *Weather timer*, it is recommended to make as much operating time as possible available for *Weather timer*. Do not restrict the schedule more than necessary.

The first operation of the day is set by the schedule settings. The product always complete 1 mowing cycle, and then *Weather timer* selects if the product will continue to operate or not.

**Note:** *Weather timer* is reset if the product does not operate for more than 50 hours, or if a *Reset of all user settings* is done. *Weather timer* is not changed if a *Reset of schedule settings* is done.

#### 3.13.3.3 ECO mode

If *ECO mode* is activated, it switches off the signal in the boundary loop, the guide wire and the charging station, when the product is parked or is charging.

**Note:** Use *ECO mode* to save energy and avoid interference with other equipment, for example hearing loops or garage doors.

**Note:** To start the product manually in the work area, push the **STOP** button before you remove the product from the charging station. If not, the product cannot be started in the work area.

### 3.13.4 Installation



In *Installation* you can change the installation settings of the product.

#### 3.13.4.1 To find the charging station

The product can be set to search for the charging station in 3 methods:

- *Charging station signal*
- *Follow boundary wire*
- *Follow guide wire*

The factory setting is set to use the 3 search methods at the same time. Use the factory setting to find the charging station as fast as possible and to keep the risk of tracks on the lawn to a minimum. The product always starts to search for the *Charging station signal*. After a specified time interval, it also uses *Follow guide* and *Follow boundary wire*.

Causes why the product cannot follow the wire:

- Obstacles near the wire have not been isolated.
- The charging station, the boundary wire or the guide wire are not installed according to the instructions in *To examine where to put the charging station on page 11*, *To examine where to put the boundary wire on page 12* and in *To examine where to put the guide wire on page 15*.

#### Charging station signal

For some installations it is necessary to decrease the signal of the charging station. For example when the charging station is put near an obstacle, such as a bush or a wall. The product finds the charging station signal on the other side of the obstacle and tries to find the charging station, but the object prevents it to go to the charging station. You can set the charging station signal to *min*, *avg* or *max*.

**Note:** Husqvarna recommends to set the charging station signal to *max*. It is usually better to move the charging station, than to decrease the range of the charging station signal.

#### Follow guide wire and boundary wire

The time interval can be set for when the product starts to follow the boundary wire and guide wire to find the charging station.

##### 3.13.4.2 To do a test of the boundary wire

1. Select *Installation > Find charging station > Test: Boundary wire setup*.
2. Put the product 3 m / 9 ft. from the boundary wire, facing the boundary wire.
3. Push the **START** button.
4. Make sure the product follows the boundary wire to the charging station.
5. Make sure the product docks with the charging station.
6. Change the position of the charging station or the boundary wire if the product does not dock with the charging station. Refer to *To install the charging station on page 16* and *To install the boundary wire on page 17*.

##### 3.13.4.3 To do a test of the guide wire

1. Select *Installation > Find charging station > Test: Guide 1-3 setup*.
2. Put the product 3 m / 9 ft. from the guide wire, facing the guide wire.

3. Push the **START** button.
4. Make sure the product follows the guide wire to the charging station.
5. Make sure the product docks with the charging station.
6. Change the position of the charging station or the guide wire if the product does not dock with the charging station. Refer to *To install the charging station on page 16* and *To install the guide wire on page 18*.

##### 3.13.4.4 Lawn coverage

The product has GPS Assisted Navigation that helps the product to select the most optimal operation.

Use the *Lawn coverage* function to set manual settings.

**Note:** If the GPS assisted navigation is enabled it is on while there is a GPS service. The product uses the manual settings for operation if the GPS service is not available.

#### To set the Lawn Coverage function

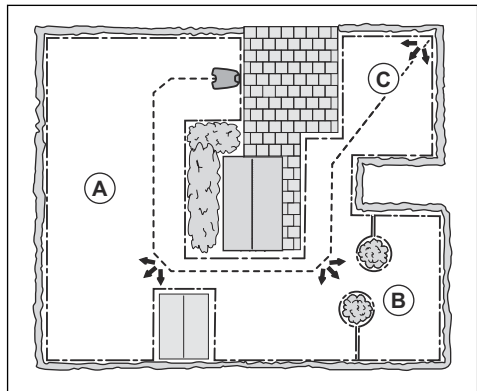
Use the *Lawn Coverage* function for the product to cut remote parts of the work area. Use the *Lawn Coverage* function if the work area includes remote parts that are connected with narrow passages to keep a satisfactorily cut work area. You can set a maximum of remote areas where the product starts to cut.

The product first follows the guide wire until the set specified distance and then it starts to cut the work area.

Area A, approximately 50%

Area B, approximately 30%

Area C, approximately 20%



Each area can be enabled or disabled. Use the *Test* function to measure the distance from the charging station to where the product must start to cut.

The default settings lets the product follow the guide wire 300 m / 980 ft. in 20% of the times it moves out from the charging station. If the guide wire is less than 300 m / 980 ft. the product will follow it to the point where the guide wire is connected to the boundary wire.

### 3.13.4.5 Drive Past Wire

The front of the product always moves past the boundary wire by a specified distance before the product moves back into the work area. The factory setting for the *Drive Past Wire function* is 31 cm / in. You can select a distance of 20-50 cm / in.

**Note:** With the factory setting the product will cut 11 cm / in. past the wire.

**Note:** If the *Drive Past Wire* distance is changed, the distance will change along the boundary wire everywhere in the work area.

### 3.13.4.6 Starting point

The *Starting point* function allows you to control how far the product drives forward from the charging station before it starts to operate. Use this function if the charging station is placed in an area with limited space.

**Note:** Starting point must not be set to a distance longer than the distance the guide wire is installed in a line in front of the charging station. Refer to *To examine where to put the guide wire on page 15*.

## 3.13.5 Accessories



In *Accessories* you can change the settings of the product accessories.

### 3.13.5.1 To avoid collisions with the Automower® house

When this option is enabled, the wear on the product and the Automower® house is reduced, but it can result in more uncut grass around the charging station.

## 3.13.6 General (Bluetooth® only)



This function is used to set time and date, or to reset to default settings.

### 3.13.6.1 Time & date

The time and date can be changed manually, or by using the time and date from the mobile device.

### 3.13.6.2 Reset to factory settings

The user settings can be reset to factory settings.

**Note:** *PIN code, Loop signal, Messages and Date & Time* will not be reset.

## 3.13.7 Security (Bluetooth® only)



The security settings controls the PIN code, the GeoFence and other security functions. The correct PIN-code must be entered to get access to the *Security* menu in the Automower® Connect app.

### 3.13.7.1 New loop signal

The loop signal is randomly selected to create a unique link between the product and the charging station. In rare cases, there may be a need to generate a new signal, for instance if 2 adjacent installations have a very similar signal.

### 3.13.7.2 Change PIN code

You can change the PIN code in the Automower® Connect app. Make a note of the new PIN code in Memo. Refer to *Introduction on page 3*.

### 3.13.7.3 Theft protection

In the *Theft protection* menu it is possible to set the alarm duration and also what events should trigger the alarm. The factory setting is to require PIN code and the alarm duration is 1 min.

#### Alarm duration

There is a possibility to set how long the alarm signal should last. A setting between 1 and 10 minutes is possible.

#### STOP button pressed

If the alarm *"STOP button pressed"* is enabled, the alarm goes off if someone presses the **STOP** button and the PIN code is not entered within 30 seconds.

#### Carried away

If the alarm *Carried away* is enabled, the product senses unexpected motions, and the alarm goes off.

### 3.13.7.4

is a GPS-based theft protection that makes a virtual fence for the product. If the product is more than a set distance away from the center position the product will be deactivated and an alarm will start. The center position will be set to the current position of the product when the function is enabled. The PIN code is needed to deactivate the alarm and to start the product again. The is only enabled when the product is switched on.



### 3.13.8 Automower® Connect (Bluetooth® only)



In *Automower® Connect* you can enable or disable the Automower® Connect module. You can also see the signal strength, connectivity status, initiate new pairing or remove the product from the paired accounts.

### 3.13.9 Messages

In this menu the previous fault and information messages can be found. For some of the messages, there are tips and advice to help to rectify the fault.

If the product is disrupted in any way, for example it is trapped or the battery is low, a message is saved relating to the disruption and the time it happened.

If the same message is repeated several times, this may indicate that an adjustment to the installation or the product is required. Refer to *Installation on page 11*.

### 3.13.10 Mowing profiles

You can save different sets of settings in the *Mowing profiles*. Use this function when you use one product for more than one location or to have different settings on the same location. In the *Mowing profiles* the product settings, map objects and their settings are saved.

### 3.13.11 Husqvarna Fleet Services™

Husqvarna Fleet Services™ is a cloud solution that gives the commercial fleet manager an overview of all products. Husqvarna Fleet Services™ is included for the Automower® 535 AWD. For more information about Husqvarna Fleet Services™, refer to [www.husqvarna.com](http://www.husqvarna.com).

#### 3.13.11.1 To connect to the product with

1. Download the app and Automower® Connect app to your mobile device.
2. Log on to the app.
3. Follow the instructions about how to pair the product with .

## 4 Operation

### 4.1 To switch on the product



**WARNING:** Read and understand the safety chapter before you switch on the product.

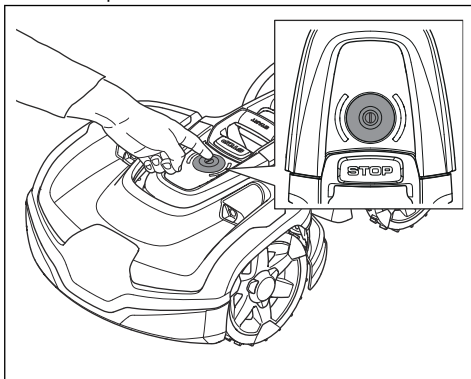


**WARNING:** Keep your hands and feet away from the rotating blades. Do not put your hands or feet near or below the product when the cutting motor is running.



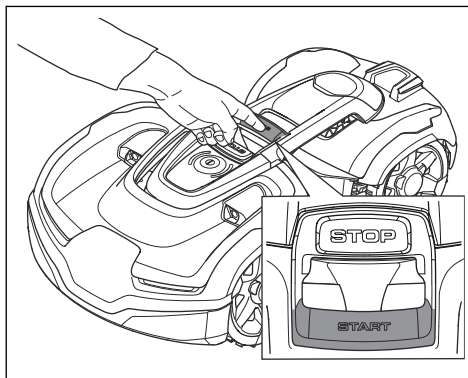
**WARNING:** Do not use the product when persons, especially children, or animals are in the work area.

1. Push the **ON/OFF** button for 3 seconds to switch on the product.



**Note:** Make sure that the **STOP** button is pushed down.

2. Use the Automower® Connect app to enter the PIN code. The correct PIN code must be entered to get access to the menu. If the incorrect PIN code is entered 5 times, the product is locked for a time. The lock is extended for each new incorrect try.
3. Select the desired operating mode in the Automower® Connect app. Refer to *Operating modes on page 26*.
4. Push the **START** button to start the product.



If the product is parked in the charging station, it will only leave the charging station when the battery is fully charged and if the *Schedule* is set to let the product operate.

### 4.2 Operating modes

In the Automower® Connect menu the following operation modes can be selected:

- Main area
- Secondary area
- Park

#### 4.2.1 Main area

*Main area* is the standard operating mode where the product mows and charges automatically.

#### 4.2.2 Secondary area

To mow secondary areas the operating mode *Secondary area* must be selected. In this mode, the operator must move the product manually between the main area and the secondary area. The product mows for a selected period of time or until the battery is empty.

#### 4.2.3 Park

When the *Park* mode is selected the following operation selections can be chosen:

- Park until further notice
- Park for a specific number of hours

##### 4.2.3.1 Park until further notice

The product goes to the charging station where it stays until you select a different operating mode.

##### 4.2.3.2 Park for a selected number of hours

The product goes to the charging station where it stays for a selected number of hours, then it automatically goes to the usual operation that is set in the *Schedule* settings. This operation selection is applicable when

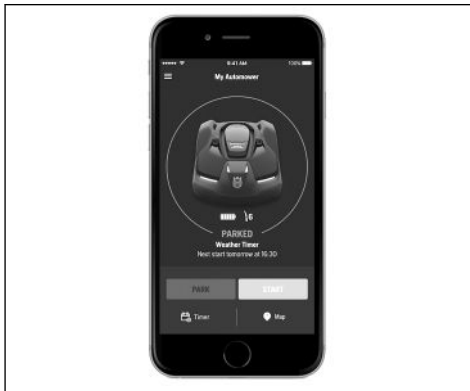
it is necessary to pause operation, for example for temporary irrigation or work on the lawn.

#### 4.2.4 The charging station's park button

The **PARK** button on the charging station is used to call the product back to the charging station. *Park* in the Automower® Connect app offers the same function. The **PARK** button on the charging station is useful for instance when the product operates in a large work area and the operator does not have access to the Automower® Connect app.

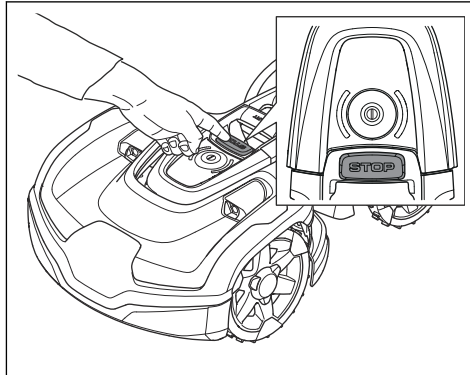
An LED in the **PARK** button is lit when the button has been pressed. The LED diode goes out when the product is parked in the charging station.

The product stays in the charging station until *Start* in the Automower® Connect app is activated.



#### 4.3 To stop the product

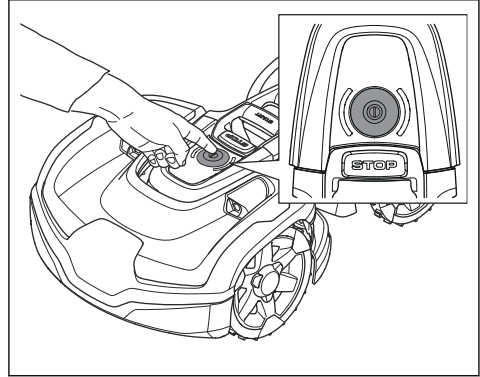
1. Push the **STOP** button on top of the product.



The product stops and the cutting motor stops.

#### 4.4 To switch off the product

1. Push the **STOP** button to stop the product.



2. Push the **ON/OFF** button for 3 seconds to switch off the product.
3. Make sure that the LED status indicator is not lit.

**Note:** If the LED status indicator is lit or is flashing in any color the product is not switched off. Refer to *LED status indicator on page 6*.

**Note:** The product cannot be switched off when it stands in the charging station.



**WARNING:** The product must be switched off before any maintenance is done, or if the product must be moved from the work area.

#### 4.5 To charge the battery

When the product is new or has been in storage for a long period, the battery can be empty, charge the battery before you start the product. In the *Main area* mode, the product automatically changes between mowing and charging.



**WARNING:** Only charge the product with a charging station and a power supply which the product is intended for. Incorrect use may result in electric shock, overheating or leakage of corrosive liquid from the battery.

In the event of leakage of electrolyte, flush with water and seek medical help if it comes in contact with the eyes and etc.

1. Put the product in the charging station.

2. Put the product in as far as possible and make sure it is connected to the charging station.

The battery status can be monitored on the status bar of the display.

---

**Note:** If the battery is empty the product needs to charge for a longer time period before the product is possible to start.

---

## 4.6 To adjust the cutting height with Automower® Connect

The cutting height can be varied from MIN (3 cm / 1.2 in.) to MAX (7 cm / 2.8 in.).

---

**Note:** During the first weeks after a new installation, the cutting height must be set to MAX to avoid damaging the loop wire. After this, the cutting height can be lowered step by step every week until the desired cutting height has been reached.

---

1. Select *Settings > Cutting height*.
2. Move the horizontal bar to set the cutting height.
3. Select *Save*.

---

## 5 Maintenance

---

### 5.1 Introduction - maintenance



**WARNING:** The product must be switched off before any maintenance is done. The product is disabled when the LED status indicator is not lit.



**WARNING:** Wear protective gloves.

For better operation and longer service life, make sure to clean the product regularly and replace worn parts. All maintenance and servicing must be done according to Husqvarna's instructions. Refer to *Warranty on page 51*.

When the product is first used, the blade disc and blades should be inspected once a week. If the amount of wear during this period has been low, the inspection interval can be increased.

It is important that the blade disc rotates easily. The edges of the blades should not be damaged. The lifetime of the blades varies immensely and depends for instance on:

- Operating time and size of the work area.
- Type of grass and seasonal growth.
- Soil, sand and use of fertilizers.
- The presence of objects such as cones, windfalls, toys, tools, stones, roots and the like.

The normal life is 3 to 6 weeks when used under favorable conditions. Refer to *Replacement of the blades on page 30* on how to replace the blades.

**Note:** Working with blunt blades gives a poorer mowing result. The grass is not cut cleanly and more energy is needed resulting in the product not mowing such a large area.

---

### 5.2 Clean the product



**CAUTION:** Never use a high-pressure washer to clean the product. Never use solvents for cleaning.

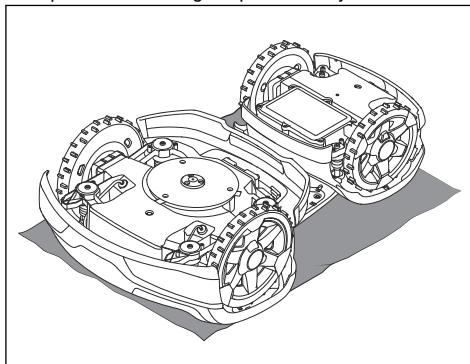
The product does not operate satisfactorily in slopes if the wheels are blocked with grass. Use a soft brush to clean the product.

Husqvarna recommends to use a special cleaning and maintenance kit, available as accessory. Speak to your Husqvarna representative for more information.

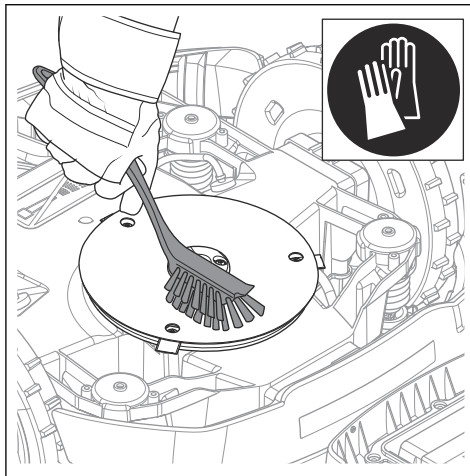
### 5.2.1 To clean the blade disc

Examine the blade disc and blades weekly.

1. Switch off the product. Refer to *To switch off the product on page 27*.
2. Turn the product upside down or put it on its side. Put the product on a soft and clean surface to prevent scratching the product body.



3. Clean the blade disc with a brush.



4. Make sure that the blade disc can rotate freely.
5. Make sure that the blades are not damaged and can pivot freely.

### 5.2.2 To clean the chassis

- Clean the bottom of the chassis with a brush or a moist cloth.

### 5.2.3 To clean the wheels

The product does not operate satisfactorily in slopes if the wheels are blocked with grass.

- Use a soft brush to clean the wheels.

### 5.2.4 To clean the body of the product

- Use a moist cloth and a weak soap solution to clean the body of the product.

### 5.2.5 To clean the charging station



**WARNING:** Disconnect the power supply from the power outlet before maintenance, or when you clean the charging station or power supply.



**CAUTION:** Do not use a high-pressure washer or running water to clean the charging station.

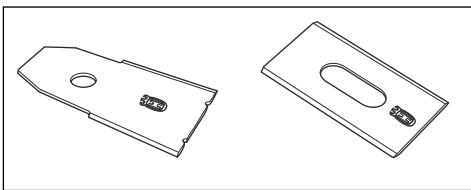
**Note:** The product cannot enter the charging station if there are objects in the charging station. Clean the charging station regularly.

- Remove grass, twigs and other objects from the charging station.

## 5.3 Replacement of the blades



**WARNING:** Husqvarna can only guarantee safety if you use Husqvarna original blades with the embossed crowned H-mark logotype.

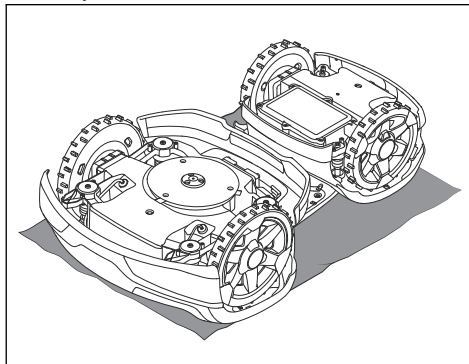


**WARNING:** You must replace the screws when you replace the blades. The used screws can wear quickly and make the blade come loose, this can cause serious injury.

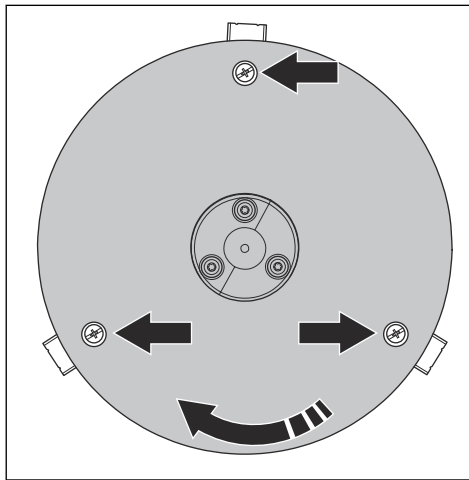
Replace worn or damaged blades for a safe operation. Replace the blades regularly for a satisfactory cut result and a low energy use. All 3 blades and screws must be replaced at the same time to get a balanced cutting system.

### 5.3.1 To replace the blades

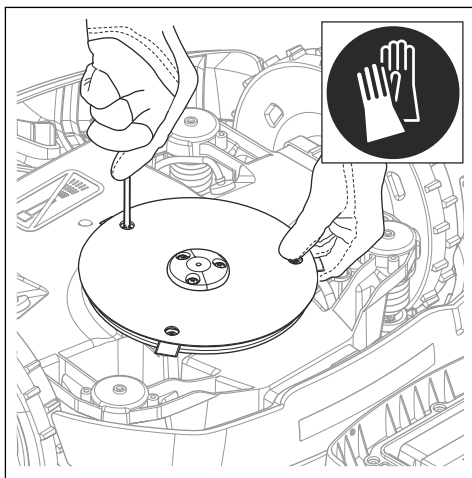
1. Switch off the product. Refer to *To switch off the product on page 27*.
2. Put on protective gloves.
3. Turn the product upside down. Place the product on a soft and clean surface to avoid scratching the body.



4. Rotate the skid plate so that its holes align with the screws for the blade.



5. Remove the 3 screws. Use a manual straight slot or cross-tip screwdriver.



6. Remove each blade and screw.
7. Fasten new blades and screws.
8. Check that the blades can pivot freely.

## 5.4 To replace the top covers

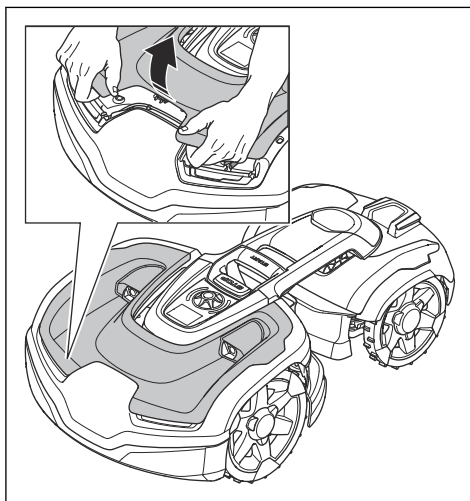
The top cover is an accessory available in different colors. Speak to your local Husqvarna representative for more information.



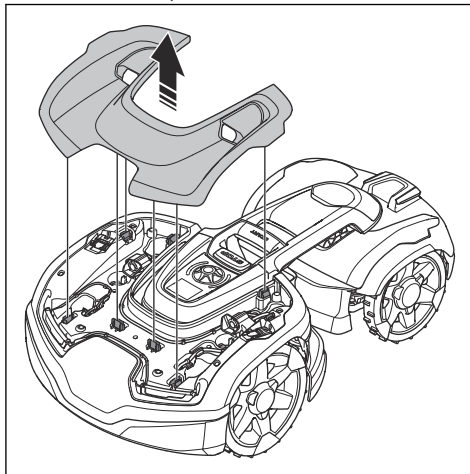
**CAUTION:** Clean grass and dirt from the product before you remove the covers.

### 5.4.1 To remove the front top cover

1. Switch off the product. Refer to *To switch off the product on page 27*.
2. Remove the front top cover from the snap-on clips on the product.

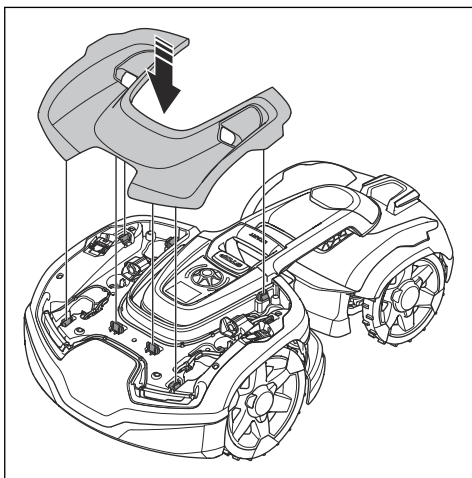


3. Lift the front top cover.

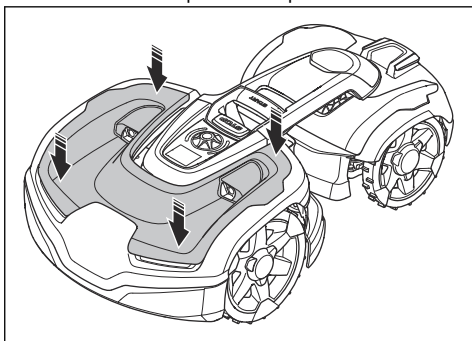


### 5.4.2 To install the front top cover

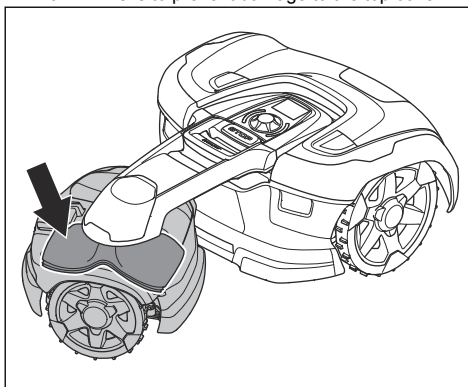
1. Put the front top cover on the snap-on clips.



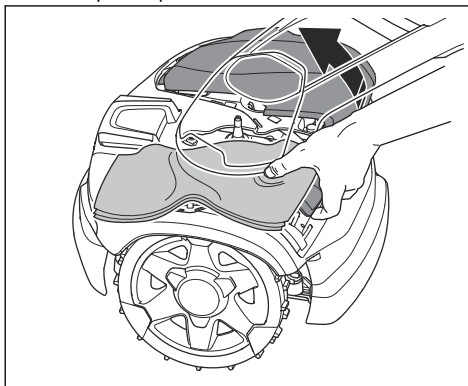
2. Push the front top cover into position.



3. Put a protection between the cover and the link arm. This is to prevent damage to the top cover.

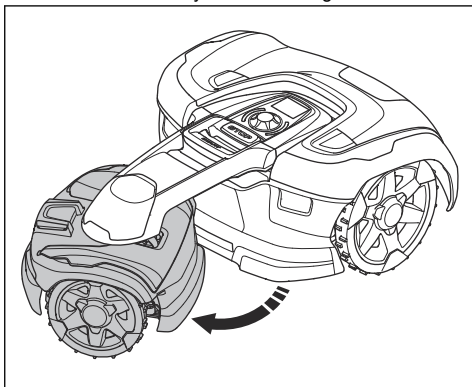


4. Pull up the top cover.

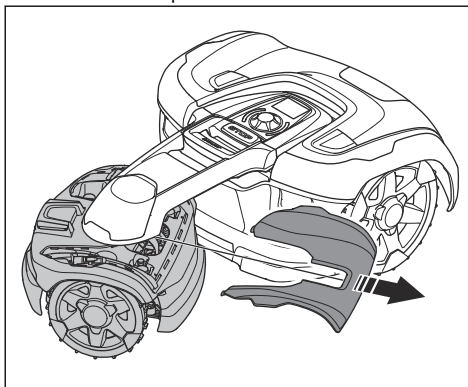


#### 5.4.3 To remove the rear top cover

1. Switch off the product. Refer to *To switch off the product on page 27*.
2. Turn the rear body to the left or right side.



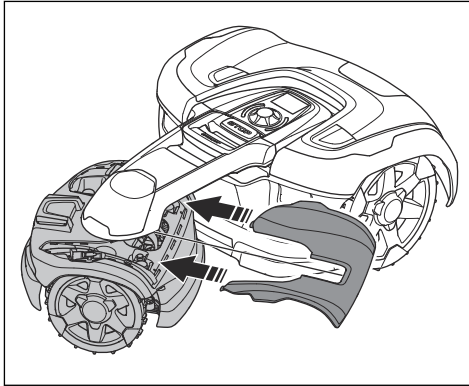
5. Remove the top cover.



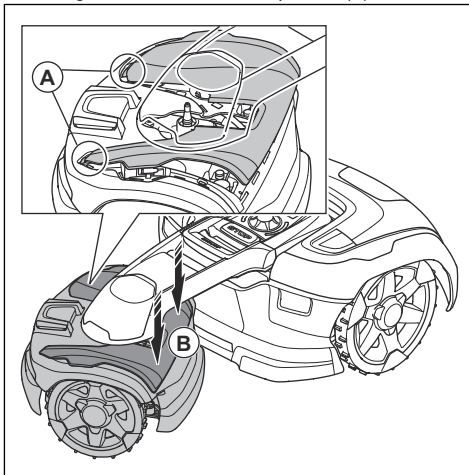
#### 5.4.4 To install the rear top cover

1. Put the top cover on the rear body.





- Put the top cover in position (A) and push the 2 magnets to assemble the top cover (B).



## 5.5 Battery



**WARNING:** Only charge the product using a charging station and power supply which is intended for it. Incorrect use may result in electric shock, overheating or leakage of corrosive liquid from the battery. In the event of leakage of electrolyte flush with water and seek medical help if it comes in contact with the eyes etc.



**WARNING:** Use only original batteries recommended by the manufacturer. Product safety cannot be guaranteed with other batteries. Do not use non-rechargeable batteries.



**CAUTION:** The battery must be charged before winter storage. If the battery is not fully charged it can be damaged and in certain cases be rendered useless.

The charging time can vary depending on, among other factors, the ambient temperature.

Below indicates that the battery is getting old and eventually needs replacing:

- The operating time for the product is shorter than normal between charges. This leads to more charging cycles than normal, which increases the risk of tracks forming near the charging station.
- The product is frequently found standing out on the lawn with *Empty battery* message. This indicates that the product does not have battery capacity enough to find the charging station.

The battery is fine as long as the product maintains a well-cut lawn.

**Note:** Battery life is dependent on the length of the season and how many hours a day the product is operating. A long season or many hours of use a day means that the battery must be replaced more regularly.

Contact your local Husqvarna representative to replace the battery.

## 5.6 Winter service

Take your product to your Husqvarna central service for service prior to winter storage. Regular winter service will maintain the product in good condition and create the best conditions for a new season without any disruptions.

Service usually includes the following:

- Thorough cleaning of the body, the chassis, the blade disc and all other moving parts.
- Testing of the product's function and components.
- Checking and, if required, replacing wear items such as blades and bearings.
- Testing the product's battery capacity as well as a recommendation to replace battery if necessary.
- If new firmware is available, the product is updated.

---

## 6 Troubleshooting

---

### 6.1 Introduction - troubleshooting

In this chapter, a number of messages are listed which may be shown in Automower® Connect if there is a malfunction. There is a proposal as to the cause and steps to take for each message. This chapter also presents some symptoms that can guide you if the product does not work as expected. More suggestions for steps to take in the event of malfunction or symptoms can be found on [www.husqvarna.com](http://www.husqvarna.com).

### 6.2 Fault messages

The table below shows a number of fault messages that may be shown in Automower® Connect. Some of the errors can be confirmed in the Automower® Connect and some the message needs to be confirmed on the product. Contact your local Husqvarna representative if the same message appears often. For more information, refer to *Messages on page 25*.

Message	Cause	Action
<i>Trapped</i>	The product is stuck in a small area behind a number of obstacles.	Examine if there are any obstacles which make it hard for the product to move away from this location.
<i>Wheel motor blocked</i> <i>Wheel drive problem</i>	Grass or other object has wrapped around the drive wheel.	Examine the drive wheel and remove the grass or other object.
<i>Cutting system blocked</i>	Grass or other object has wrapped around the blade disc.	Examine the blade disc and remove the grass or other object.
	The blade disc lies in a pool of water.	Move the product and prevent the collection of water in the work area.

<b>Message</b>	<b>Cause</b>	<b>Action</b>
<i>Wrong PIN code</i>	Wrong PIN code has been entered. Five attempts are permitted, and the product is then blocked for a period of time.	Enter the correct PIN code. If the PIN code is incorrect, use the link in the app to send the PIN code to your registered e-mail address. If you have not registered the e-mail address, contact your local Husqvarna representative.
<i>Empty battery</i>	The product cannot find the charging station.	Change the position of the guide wire. Refer to <i>To install the guide wire on page 18</i> .  Check the installation settings about how to find the charging station. Refer to <i>To find the charging station on page 22</i> .
	The battery is spent.	Replace the battery. Refer to <i>Battery on page 33</i> .
	The charging station's antenna is defective.	Check if the indicator lamp in the charging station flashes red. Refer to <i>LED indicator of the charging station on page 40</i> .
<i>Slipped</i>	The product is caught in something and has been slipping.	Free the product and rectify the reason for the lack of drive. If it is due to wet grass, wait until the lawn has dried before using the product.
	The work area includes a steep slope.	Maximum guaranteed slope is 70%. Steeper slopes should be isolated. Refer to <i>To put the boundary wire in a slope on page 13</i> .
	The guide wire is not installed correctly in a slope.	Make sure that the guide wire is installed diagonally across the slope. Refer to <i>To install the guide wire on page 18</i> .
<i>Wheel motor overloaded</i>	The product is caught in something.	Free the product and rectify the reason for the lack of drive. If it is due to wet grass, wait until the lawn has dried before using the product.
<i>Charging station blocked</i>	The contact between the charging strips and contact strips may be poor and the product has made a number of attempts to charge.	Put the product in the charging station and check that the charging strips and contact strips make good contact. Clean the contact and charging plates.
	An object causes a blockage and the product cannot enter the charging station.	Remove the object.
	The baseplate is tilted or bent.	Make sure that the baseplate is put on level ground.
<i>Stuck in charging station</i>	The product slips on the baseplate.	Clean the baseplate.
	There is an object in the way of the product preventing it from leaving the charging station.	Remove the object.
<i>Upside down</i>	The product is leaning too much or has turned over.	Turn the product the right way up.
<i>Mower tilted</i>	The product is tilted more than the permitted slope.	Move the product to a flat area.

<b>Message</b>	<b>Cause</b>	<b>Action</b>
<i>Lifted</i>	A blockage has activated the lift sensors and caused the product to stop.	Remove the product from the blockage. If the problem remains it requires action by authorized service technician.
<i>Slope too steep</i>	Mower stopped because the slope is too steep.	Change the installation of the boundary wire to exclude this steep part of the work area. Refer to <i>To examine where to put the boundary wire on page 12.</i>
<i>Alarm! Mower switched off</i>	The alarm was activated because the product was switched OFF.	Adjust the security level in the <i>Security</i> menu, refer to <i>Security (Bluetooth® only) on page 24.</i>
<i>Alarm! Mower stopped</i>	The alarm was activated because the product was stopped.	
<i>Alarm! Mower was moved</i>	The alarm was activated because the product was moved.	
<i>Alarm! Outside geofence</i>	The alarm was activated because the mower was outside its GeoFence.	Adjust the theft protection area (GeoFence) in the <i>Automower Connect menu.</i>
<i>Electronic problem</i>	Temporary electronic or firmware related issue.	Restart the product.
<i>Loop sensor problem</i>		If the problem remains, the message requires action by authorized service technician.
<i>Charging system problem</i>		
<i>Tilt sensor problem</i>		
<i>Temporary problem</i>		
<i>STOP button problem</i>		
<i>Ultrasonic problem</i>		
<i>GPS navigation problem</i>		
<i>Angular sensor problem</i>		
<i>Switch cord problem</i>		
<i>Invalid sub-device combination</i>		
<i>Invalid system configuration</i>		
<i>Lift sensor problem</i>		
<i>Collision sensor problem</i>		
<i>Temporary battery problem</i>		
<i>Battery problem</i>	If the problem remains, the message requires action by authorized service technician.	

<b>Message</b>	<b>Cause</b>	<b>Action</b>
<i>Battery temperature outside limits</i>	The product does not operate if the battery temperature is too high or too low.	The product starts to operate again when the temperature is between the set limits and the schedule settings let the product to operate. Make sure that the charging station is put in an area with protection from the sun.
<i>Faulty mix of batteries</i>	The battery type is incorrect.	Only use original batteries that are recommended by the manufacturer.
<i>Charging system problem</i>	Temporary battery or software related issue in the product.	Restart the product.  If the problem remains, the message requires action by authorized service technician.
	The battery type is incorrect.	Only use original batteries that are recommended by the manufacturer.
<i>Charging current too high</i>	Wrong or faulty power supply unit.	Restart the product.  If the problem remains, the message requires action by authorized service technician.
<i>Connectivity problem</i>	Problem with the Automower® Connect module.	Restart the product.  If the problem remains, the message requires action by authorized service technician.
<i>Connectivity settings restored</i>	The connectivity settings for the Automower® Connect module was restored because of a fault.	Do a check of the settings and change the settings if needed.
<i>Outside work area</i>	The boundary wire connections to the charging station are crossed.	Make sure that the boundary wire is connected correctly. Refer to <i>To examine where to put the boundary wire on page 12</i> .
	The boundary wire is too close to the edge of the work area.	Make sure that the boundary wire has been laid according to the instructions. Refer to <i>To install the boundary wire on page 17</i> .
	The work area slopes too much by the boundary loop.	
	The boundary wire is laid in the wrong direction around an island.	
	Disturbances from metal objects (fences, reinforcement steel) or buried cables close by.	Move the boundary wire and/or make more islands in the work area to increase the signal strength.
	The product finds it hard to distinguish the signal from another product installation close by.	Put the product in the charging station and generate a new loop signal. Refer to <i>New loop signal on page 24</i> .

<b>Message</b>	<b>Cause</b>	<b>Action</b>
<i>Limited cutting height</i>	The cutting height adjustment cannot move.	Examine the cutting height adjustment and remove grass and other unwanted material. If the problem remains, the message requires action by authorized service technician.
<i>Unexpected cutting height</i>		
<i>Cutting height problem, drive</i>		
<i>Cutting height blocked</i>		
<i>Cutting height problem</i>		
<i>No power in charging station</i>	Wrong or faulty power supply unit.	Examine the power supply. If it is necessary, replace the power supply.
	Power failure.	Find and rectify the cause of the power failure.
	No contact between the contact plates and the charging plates.	Make sure that the charging plates and the contact plates are connected.
<i>Cutting system imbalance</i>	Too few or too many blades.	Examine the blades on the blade disc.
<i>Weak GPS signal</i>	The sky is obstructed in large parts of the work area.	If possible, remove obstructing objects.  Disable the GPS navigation function and use the lawn coverage function instead. Refer to <i>Lawn coverage on page 23</i> .
<i>Collision sensor problem, front/rear</i>  <i>Collision</i>	A blockage has caused the product to stop.	Remove the product from the blockage and examine the cause of the stop.
	The body of the product cannot move freely around the chassis.	Remove dirt and unwanted material between the chassis and the body to make sure that the body of the product can move freely around the chassis.
	The body of the product is not installed correctly in the rubber dampers.	Make sure that the rubber dampers are attached correctly in the body of the product and in the chassis. If the problem remains, the message requires action by authorized service technician.

<b>Message</b>	<b>Cause</b>	<b>Action</b>
<i>No loop signal</i>	The power supply or the voltage cable are not connected.	Examine the LED status on the charging station. If the LED is not lit, it indicates that there is no power. Examine the power outlet connection and whether an earth-fault breaker has tripped. Make sure that the low voltage cable is connected to the charging station.
	The power supply or low voltage cable are damaged.	Replace the power supply or low voltage cable.
	The boundary wire is not connected to the charging station.	Make sure that the boundary wire connectors are fitted properly to the charging station. Replace connectors if damaged. Refer to <i>To install the charging station on page 16</i> .
	The boundary wire is broken.	Check the signal given by the LED on the charging station. If the LED indicates break in the boundary wire, find out where the break is. Replace the damaged section of the loop with a new loop wire and splice using an original coupler. Refer to <i>Find breaks in the loop wire on page 43</i> .
	<i>ECO mode</i> is activated and the product has attempted to start outside the charging station.	Put the product in the charging station. Start the product.
	The pairing between the product and the charging station is lost.	Put the product in the charging station and generate a new loop signal. Refer to <i>New loop signal on page 24</i> .
	The boundary wire is crossed on its way to and from an island.	Make sure that the boundary wire is installed correctly. Refer to <i>To install the boundary wire on page 17</i> .
	Disturbances from metal objects (fences, reinforcement steel) or buried cables.	Move the boundary wire and/or make more islands in the work area to increase the signal strength.
	The product is too far from the boundary wire.	Redo the installation of the boundary wire so that all parts of the work area is maximum 35 m / 115 ft. from the boundary wire.

## 6.3 Information messages

The table below shows a number of information messages that may be shown in Automower® Connect. Contact your local Husqvarna representative if the same message appears often. For more information, refer to *Messages on page 25*.

Message	Cause	Action
<i>Settings restored</i>	Confirmation that <i>Reset all user settings</i> has been carried out.	This is normal. No action required.
<i>Guide 1/2/3 not found</i>	The guide wire is not connected to the charging station.	Check that the guide wire's connector is tightly connected to the charging station. Refer to <i>To install the guide wire on page 18</i> .
	Break in the guide wire.	Find out where the break is. Replace the damaged section of the guide wire with a new loop wire and splice using an original coupler.
	The guide wire is not connected to the boundary loop.	Check that the guide wire is connected correctly to the boundary loop. Refer to <i>To install the guide wire on page 18</i> .
<i>Connection changed</i>	New loop signal successfully changed.	No action.
<i>Connection NOT changed</i>	Failed to change the loop signal.	Create a new loop signal, try several times. If the problem remains, the message requires action by authorized service technician. Refer to <i>New loop signal on page 24</i> .
<i>Slope too steep</i>	The product stopped mowing because the slope is too steep.	If this problem occurs frequently, change the installation of the boundary wire to exclude the steep part of the work area.
<i>Poor signal quality</i>	The Automower® Connect module in the product is assembled upside down, or the product is tilted or upside down.	Make sure that the product is not upside down or tilted. Speak to your authorized service technician if the problem stays.
<i>ComBoard SW must be updated</i>	The firmware in the Automower® Connect module needs to be updated.	Speak to your authorized service technician to get the firmware updated.
<i>Geofence problem</i>	The Geofence is not working because of unsatisfactory or no communication with the GPS system.	Put the product in an area with open sky and wait around 15 minutes. Speak to your authorized service technician if the problem stays.
	The GPS signal is weak for the current work area. GPS assisted navigation cannot be used.	If the message shows frequently, disable the GPS assisted navigation and use the manual settings for <i>Lawn coverage</i> .

## 6.4 LED indicator of the charging station

The LED indicator of the charging station is green when the installation is correct. If the LED indicator of the



charging station is not green, follow the troubleshooting table below.

Speak to your local Husqvarna representative or go to [www.husqvarna.com](http://www.husqvarna.com) for more information.

LED indicator	Cause	Action
Constant green	The signals of the charging station are good.	No procedure is necessary.
Flashes green	The signals of the charging station are good and <i>ECO mode</i> is enabled.	No procedure is necessary.
Flashes blue	The boundary wire is not connected to the charging station.	Connect the boundary wire to the charging station.
	The boundary wire is damaged.	Replace the damaged section of the boundary wire with new boundary wire.
Flashes red	Interference in the antenna of the charging station.	Speak to your local Husqvarna representative.
Constant red	Error in the circuit board or incorrect power supply in the charging station.	The error must be corrected by an authorized service technician. Speak to your local Husqvarna representative.

## 6.5 Symptoms

If your product does not work as expected, follow the symptoms guide below.

There is a FAQ (Frequently Asked Questions) on [www.husqvarna.com](http://www.husqvarna.com) which provides more detailed answers to a number of standard questions. Contact your local Husqvarna representative if you still cannot find the reason for the fault.

Symptoms	Cause	Action
The product has difficulty docking.	The boundary wire is not laid in a long straight line that is far enough out from the charging station.	Check that the charging station has been installed according to the instructions. Refer to <i>To install the charging station on page 16</i>
	The charging station is on a slope.	Place the charging station on a surface that is entirely level. Refer to <i>To examine where to put the charging station on page 11</i> .
The product runs at the wrong time.	The clock needs to be set.	Set the clock. Refer to <i>Time &amp; date on page 24</i> .
	The start and stop times for mowing are incorrect.	Reset the start time and change the <i>Schedule</i> settings. Refer to <i>Schedule on page 21</i> .
The product vibrates.	Damaged blades lead to imbalance in the cutting system.	Inspect the blades and screws and replace them if necessary. Refer to <i>Replacement of the blades on page 30</i> .
	Too many blades in the same position lead to imbalance in the cutting system.	Check that only one blade is fitted at each screw.
	Different versions (thickness) of Husqvarna blades are used.	Check if the blades are of different versions.
The product runs, but the blade disc does not rotate.	The product searches for the charging station.	No action. The blade disc does not rotate when the product is searching for the charging station.

Symptoms	Cause	Action
The product mows for shorter periods than usual between charges.	Grass or other foreign object blocks the blade disc.	Remove and clean the blade disc. Refer to <i>Replacement of the blades on page 30</i> .
	The battery is spent.	Replace the battery. Refer to <i>Battery on page 33</i> .
Both the mowing and charging times are shorter than usual.	The battery is spent.	Replace the battery. Refer to <i>Battery on page 33</i> .
The product is parked for hours in the charging station.	The <b>STOP</b> button has been activated.	Make sure that the <b>START</b> button is pushed down.
	Parking mode is activated.	Select the operating mode in Automower® Connect.
	The product is not allowed to operate if the battery temperature is too high or too low.	Check that the charging station is placed in an area with protection from the sun.
Uneven mowing results.	The product works too few hours per day.	Increase the mowing time. Refer to <i>Schedule on page 21</i> .
	The settings for <i>Lawn coverage</i> function are incorrect in relation to the layout of the work area.	Examine the settings for the <i>Lawn coverage</i> function. Refer to <i>Lawn coverage</i> .
	The shape of the work area requires the use of <i>Area 1-5</i> for the product to find its way to all remote areas.	Use <i>Area 1-5</i> to steer the product to a remote area. Refer to <i>Lawn coverage on page 23</i> .
	The work area is too large.	Try to limit the work area or extend the work time. Refer to <i>Schedule on page 21</i> .
	Blunt blades.	Replace all the blades. Refer to <i>Replacement of the blades on page 30</i> .
	Long grass in relation to the set cutting height.	Increase the cutting height and then successively lower it.
	Accumulation of grass by the blade disc or around the motor shaft.	Check that the blade disc rotates freely and easily. If not, screw off the blade disc and remove grass and foreign objects. Refer to <i>To clean the blade disc on page 29</i> .
The product is not connected to the Automower® Connect app.	The product has not been connected to the app before and the product is not included in the list <i>My mowers</i> in the Automower® Connect app.	Do a pairing operation between the product and the mobile device. <i>To pair Automower® Connect and the product on page 20</i> .
The product only has Bluetooth® (short range) connection with the Automower® Connect app and not cellular (long range) connection.	The product does not have cellular connection to the Automower® Connect app.	Enter the Automower® Connect app on your mobile device. Select Automower® Connect and do a new pairing operation.
You cannot connect with the product with an additional mobile device.	Only one mobile device can be connected to the product with Bluetooth® at the same time.	Disable the Automower® Connect app in all other connected devices. If the problem stays, set the connected mobile device to OFF and start it again. If the problem stays, speak to your dealer.

Symptoms	Cause	Action
The cellular connection has worked before, but does not work now.	There is a problem with the cellular connectivity.	<ul style="list-style-type: none"> <li>• Make sure that you have cellular coverage in the area.</li> <li>• Disable Automower® Connect in the app and enable it again. Wait 1 hour and try again.</li> <li>• Restart the product.</li> <li>• If a new firmware is available in the app, install it to make sure that you have the newest firmware.</li> <li>• Make sure that you have the newest version of the Automower® Connect app installed.</li> <li>• If the problem stays, speak to your dealer.</li> </ul>

## 6.6 Find breaks in the loop wire

Breaks in the loop wire are usually the result of unintentional physical damage to the wire such as when gardening with a shovel. In countries with ground frost, also sharp stones that move in the ground can damage the wire. Breaks can also occur due to the wire being stretched excessively during installation.

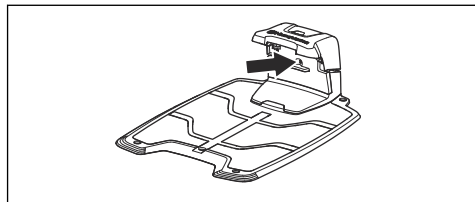
Mowing the grass too low right after the installation can damage wire insulation. Damage to the insulation may not cause disruptions until several weeks or months later. To avoid this, always select the maximum cutting height the first weeks after installation and then lower the height one step at a time every second week until the desired cutting height has been reached.

A defective splicing of the loop wire can also lead to disruptions several weeks after the splice was done. A faulty splice can, for example, be the result of the coupler not being pressed together hard enough with a pair of pliers, or that a coupler of lower quality than the original coupler has been used. Please first check all known splices before further troubleshooting is done.

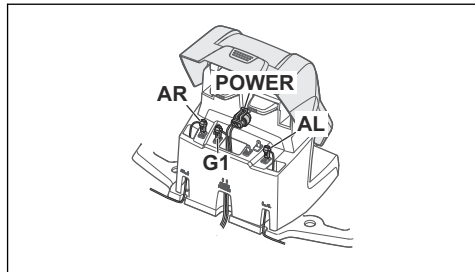
A wire break can be located by gradually halving the distance of the loop where the break may have occurred until there is only a very short section of the wire left.

The following method does not work if *ECO mode* is activated. Make sure first that *ECO mode* is turned off. Refer to *ECO mode* on page 22.

1. Check that the indicator lamp in the charging station flashes blue, which indicates a break in the boundary loop. Refer to *LED indicator of the charging station* on page 40.



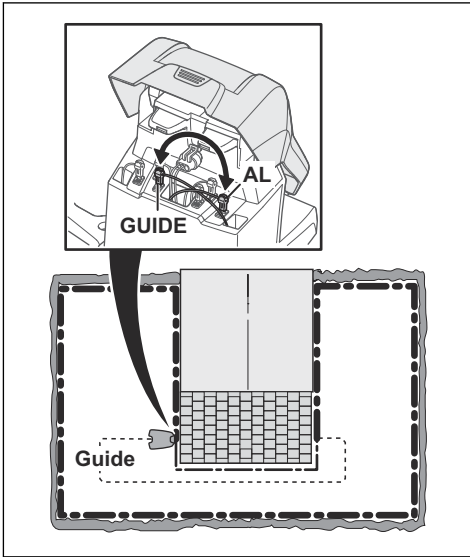
2. Check that the boundary wire connections to the charging station are properly connected and not damaged. Check that the indicator lamp in the charging station is still flashing blue.



3. Switch the connections between the guide wire and the boundary wire in the charging station.

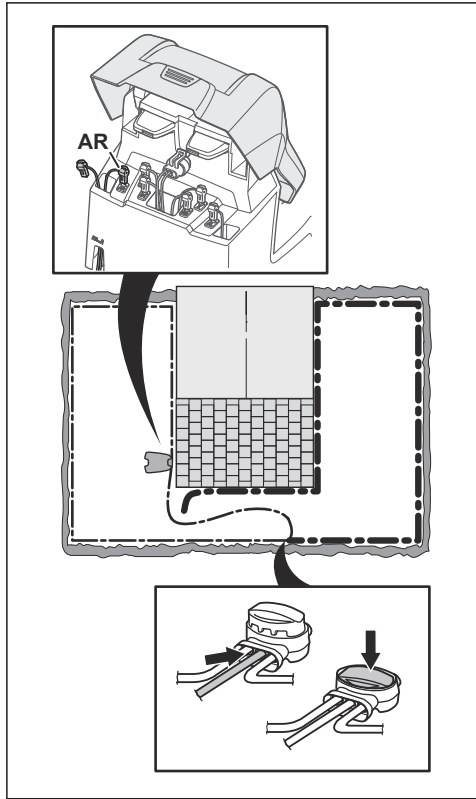
Start by switching connection AL and G1. Some models have additional guide wires (G2, G3). The same procedure can be followed for them.

If the indicator lamp is lit with a solid green light, then the break is somewhere on the boundary wire between AL and the point where the guide wire is connected to the boundary wire (thick black line in the illustration).

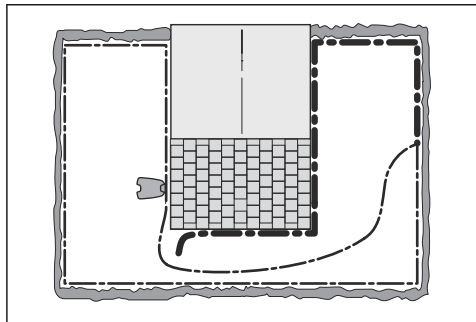


To rectify the fault you will need boundary wire, connector(s) and coupler(s):

- a) If the suspected boundary wire is short then it is easiest to exchange all of the boundary wire between AL and the point where the guide wire is connected to the boundary wire (thick black line).
- b) If the suspected boundary wire is long (thick black line) then do as follows: Put AL and G1 back to their original positions. Then disconnect AR. Connect a new loop wire to AR. Connect the other end of this new loop wire at the middle of the suspected wire section.

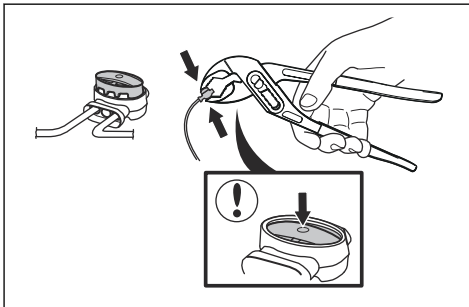


If the indicator lamp now is green, then the break is somewhere in the wire between the disconnected end to the point where the new wire is connected (thick black line below). In that case, move the connection for the new wire closer to the disconnected end (roughly at the middle of the suspected wire section) and check again if the indicator lamp is green.



Continue until only a very short section of the wire remains which is the difference between a solid green light and a flashing blue light. Then follow instruction in step 5 below.

4. If indicator lamp still flashes blue in step 3 above: Put AL and G1 back in their original positions. Then switch AR and G1. If indicator lamp now is lit with a solid green light then disconnect AL and connect a new boundary wire to AL. Connect the other end of this new wire at the middle of the suspected wire section. Follow the same approach as in 3a) and 3b) above.
5. When the break is found, the damaged section must be replaced with a new wire. Always use original couplers.



## 7 Transportation, storage and disposal

### 7.1 Transportation

The supplied Li-ion batteries obey the Dangerous Goods Legislation requirements.

- Obey all applicable national regulations.
- Obey the special requirement on package and labels for commercial transportations, including by third parties and forwarding agents.

### 7.2 Storage

- Fully charge the product. Refer to *To charge the battery on page 27*.
- Switch off the product. Refer to *To switch off the product on page 27*.
- Clean the product. Refer to *Clean the product on page 29*.
- Keep the product in a dry, frost free space.
- Keep the product with all wheels on level ground during storage.
- If you keep the charging station indoors, disconnect and remove the power supply and all the connectors from the charging station. Put the end of each connector wire in a connector protection box.

**Note:** If you keep the charging station outdoors, do not disconnect the power supply and the connectors.

- Speak to your Husqvarna service for information about available storage accessories for your product.

### 7.3 Disposal

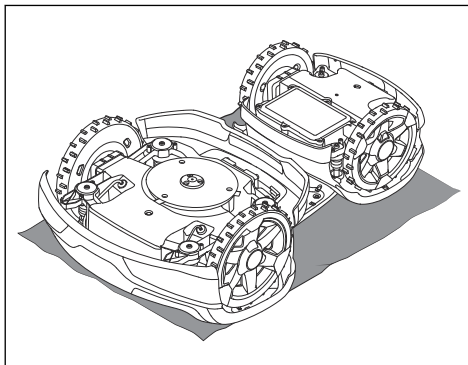
- Obey the local recycling requirements and applicable regulations.
- For questions about how to remove the battery, refer to *To remove the battery on page 46*.

#### 7.3.1 To remove the battery

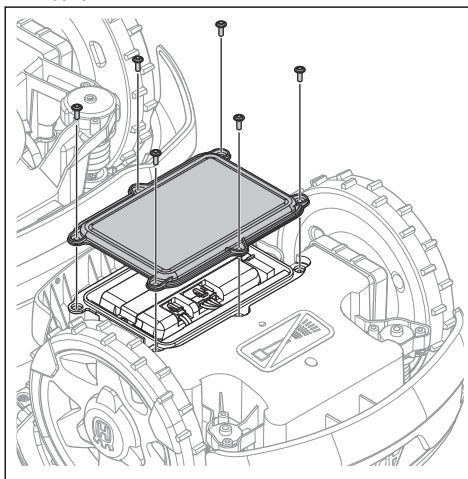


**CAUTION:** Only remove the battery when you dispose of the product.

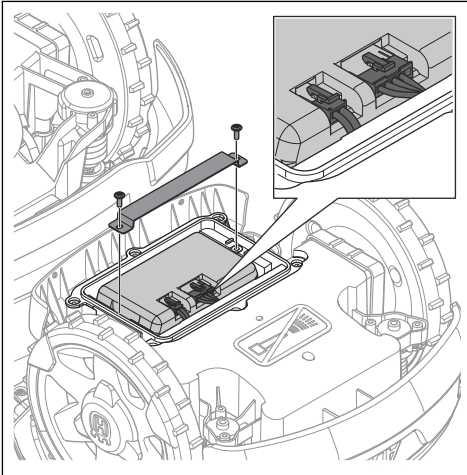
1. Switch off the product. Refer to *To switch off the product on page 27*.
2. Turn the product upside down.



3. Remove the 6 screws and remove the battery cover.



4. Remove the two screws and remove the bracket.



5. Disconnect the two cables from the battery and remove the battery.

## 8 Technical data

### 8.1 Technical data

Dimensions	Automower® 535 AWD
Length, cm / in.	93 / 36.6
Width, cm / in.	55 / 21.6
Height, cm / in.	29 / 11.4
Weight, kg / lbs	17.3 / 38.1

Electrical system	Automower® 535 AWD
Battery, Lithium-Ion 18.0 V/5.0 Ah Art. No.	590 81 01-01, 590 81 01-03, 590 81 01-04
Battery, Lithium-Ion 18.0 V/4.9 Ah Art. No.	590 81 01-02
Power supply (28 V DC), V AC	100-240
Low-voltage cable length, m / ft	10 / 33
Mean energy consumption at maximum use	24 kWh/month in a 3500 m <sup>2</sup>
Charge current, A DC	7
Type of Power Supply Unit <sup>5</sup>	FW7458/28/D/XX/Y, ADP-200JR XX
Typical mowing time, min	100
Typical charging time, min	30

Boundary wire antenna	Automower® 535 AWD
Operating Frequency Band, Hz	100-80000
Maximum magnetic field, dBuA/m <sup>6</sup>	82
Maximum Radio-frequency power <sup>7</sup> , mW @60m	<25

Sound data <sup>8</sup>	Automower® 535 AWD
Sound level perceived, dB (A)	60
Measured sound power noise level, dB (A)	60
Guaranteed sound power noise level, dB (A)	62
Noise emissions uncertainties KWA, dB (A)	2
Sound pressure noise level at the operator's ear <sup>9</sup> , dB (A)	49

<sup>5</sup> XX, YY can be any alphanumeric characters or blank for marketing purpose only, no technical differences.

<sup>6</sup> Measured according to EN 303 447.

<sup>7</sup> Maximum active output power to antennas in the frequency band in which the radio equipment operates.

<sup>8</sup> Determined according to Directive 2006/42/EC and standard EN 50636-2-107. Except Sound level, perceived that is measured according to ISO 11094:1991.

<sup>9</sup> Sound pressure noise uncertainties K<sub>pA</sub>, 2-4 dB (A)



<b>Mowing</b>	<b>Automower® 535 AWD</b>
Cutting system	3 pivoted cutting blades
Maximum cutting motor speed, rpm	2475
Power consumption during cutting, W +/- 20 %	40
Cutting height, cm / in.	3-7 / 1.2-2.8
Cutting width, cm / in.	22 / 8.7
Narrowest possible passage, cm / in.	60 / 24
Maximum slope for work area, %	70
Maximum slope for boundary wire, %	50
Maximum length boundary wire, m / ft	800 / 2600
Maximum length guide loop <sup>10</sup> , m / ft	400 / 1300
Working capacity, m <sup>2</sup> / acre, +/- 20%	3500 / 0.9

<b>IP-code</b>	<b>Automower® 535 AWD</b>
Robotic lawnmower	IPX4
Charging station	IPX1
Power supply	IP44

<b>Frequency Band Support</b>	
Bluetooth® Frequency range	2400.0-2483.5 MHz
Automower® Connect 2G	GSM 850 MHz, E-GSM 900 MHz, DCS 1800 MHz, PCS 1900 MHz
Automower® Connect 3G	Band 19 (800 MHz), Band 5 (850 MHz), Band 8 (900 MHz), Band 2 (1900 MHz), Band 1 (2100 MHz)
Automower® Connect 4G	Band 12 (700 MHz), Band 17 (700 MHz), Band 28 (700 MHz), Band 13 (700 MHz), Band 20 (800 MHz), Band 26 (850 MHz), Band 5 (850 MHz), Band 19 (850 MHz), Band 8 (900 MHz), Band 4 (1700 MHz), Band 3 (1800 MHz), Band 2 (1900 MHz), Band 25 (1900 MHz), Band 1 (2100 MHz), Band 39 (1900 MHz)

<b>Power Class</b>		
Bluetooth® Output power	8 dBm	
Automower® Connect 2G	Power Class 4 (GSM/E-GSM)	33 dBm
	Power Class 1 (DCS/PCS)	30 dBm
	Power Class E2 (GSM/E-GSM)	27 dBm
	Power Class E2 (DCS/PCS)	26 dBm
Automower® Connect 3G	Power Class 3	24 dBm
Automower® Connect 4G	Power Class 3	23 dBm

Husqvarna AB does not guarantee full compatibility between the product and other types of wireless systems such as remote controls, radio transmitters, hearing loops, underground electric animal fencing or similar.

<sup>10</sup> The guide loop is the loop that if formed by the guide wire and the part of the boundary wire from the junction with the guide wire to the right connection in the charging station.

The products are made in England or the Czech Republic. See information on the rating plate. Refer to *Introduction* on page 3.

## 8.2 Registered trademarks

The *Bluetooth*<sup>®</sup> word mark and logos are registered trademarks owned by *Bluetooth SIG, inc.* and any use of such marks by Husqvarna is under license.

---

## 9 Warranty

---

### 9.1 Warranty terms

Husqvarna warranty covers this product's functionality for a period of 2 years from date of purchase. The warranty covers serious faults relating to materials or manufacturing faults. Within the warranty period, we will replace the product or repair it at no charge if the following terms are met:

- The product and the charging station may only be used in compliance with the instructions in this Operator's Manual. This manufacturer's warranty does not affect warranty entitlements against the dealer/retailer.
- End-users or non-authorized third parties must not attempt to repair the product.

Examples of faults which are not included in the warranty:

- Damage caused by water seepage from using a high-pressure washer, or from being submerged under water, for example when heavy rain forms pools of water.
- Damage caused by lightning.
- Damage caused by improper battery storage or battery handling.
- Damage caused by using a battery that is not a Husqvarna original battery.
- Damage caused by not using Husqvarna original spare parts and accessories, such as blades and installation material.
- Damage to the loop wire.
- Damage caused by non-authorized changing or tampering with the product or its power supply.

The blades and wheels are seen as disposable and are not covered by the warranty.

If an error occurs with your Husqvarna product, please contact Husqvarna customer service for further instructions. Please have the receipt and the product's serial number at hand when contacting Husqvarna customer service.

## 10 EU Declaration of Conformity

We, Husqvarna AB, SE 561 82 Huskvarna, SWEDEN,  
Tel. +46 36 146500 declare on our sole responsibility  
that the product:

<b>Description</b>	<b>Robotic lawn mower</b>
<b>Brand</b>	Husqvarna
<b>Type/Model</b>	HUSQVARNA AUTOMOWER® 535 AWD
<b>Identification</b>	Serial numbers dating from 2021 week 40

complies fully with the following EU directives and  
regulations:

<b>Regulation</b>	<b>Description</b>
2006/42/EC	Relating to machinery
2014/53/EU	Relating to radio equipment
2011/65/EU	Restriction of use of certain hazardous substances

and that the following harmonized standards and/or  
technical specifications are applied;



- EN 60335-1:2012+AC:2014+A11:2014+A13:2017
- EN 50636-2-107:2015+A1:2018+A2:2020
- EN IEC 63000:2018
- EN 61000-6-1:2007
- EN 61000-6-3:2007+A1:2011+AC:2012
- ETSI EN 301 489-1 V2.2.3
- ETSI EN 301 489-3 V2.1.1
- ETSI EN 301 489-17 V3.1.1
- Draft ETSI EN 303 447 V1.2.1\_0.1.16
- ETSI EN 300 328 V2.2.2

and for HUSQVARNA AUTOMOWER® equipped with  
Automower® Connect 3G/2G:

- ETSI EN 301 489-52 V1.1.0
- ETSI EN 301 489-19 V2.1.1
- ETSI EN 301 908-1 V13.1.1
- ETSI EN 301 908-2 V13.1.1
- ETSI EN 301 511 V.12.5.1
- ETSI EN 303 413 V1.1.1

for HUSQVARNA AUTOMOWER® equipped with  
Automower® Connect 4G/2G:

- ETSI EN 301 489-52 V1.1.0
- ETSI EN 301 489-19 V2.1.1
- ETSI EN 301 908-1 V13.1.1
- ETSI EN 301 908-13 V13.1.1
- ETSI EN 301 511 V.12.5.1
- ETSI EN 303 413 V1.1.1

# 11 UK Declaration of Conformity

We, Husqvarna AB, SE 561 82 Huskvarna, SWEDEN,  
Tel. +46 36 146500 declare on our sole responsibility  
that the product:

<b>Description</b>	<b>Robotic lawn mower</b>
<b>Brand</b>	Husqvarna
<b>Type/Model</b>	HUSQVARNA AUTOMOWER® 535 AWD
<b>Identification</b>	Serial numbers dating from 2021 week 40

complies fully with the following UK directives and regulations:

<b>Regulation</b>	<b>Description</b>
S.I. 2008/1597	The Supply of Machinery (Safety) Regulations 2008
S.I. 2017/1206	The Radio Equipment Regulations 2017
S.I. 2012/3032	The Restriction of the Use of Certain Hazardous Substances in Electrical and Electronic Equipment Regulations 2012

and that the following harmonized standards and/or technical specifications are applied;

- EN 60335-1:2012+AC:2014+A11:2014+A13:2017
- EN 50636-2-107:2015+A1:2018+A2:2020
- EN IEC 63000:2018
- EN 61000-6-1:2007
- EN 61000-6-3:2007+A1:2011+AC:2012
- ETSI EN 301 489-1 V2.2.3
- ETSI EN 301 489-3 V2.1.1
- ETSI EN 301 489-17 V3.1.1
- Draft ETSI EN 303 447 V1.2.1\_0.1.16
- ETSI EN 300 328 V2.2.2



UK Importer:  
Husqvarna UK Ltd  
Preston Road, Co. Durham  
DL5 6UP

and for HUSQVARNA AUTOMOWER® equipped with Automower® Connect 3G/2G:

- ETSI EN 301 489-52 V1.1.0
- ETSI EN 301 489-19 V2.1.1
- ETSI EN 301 908-1 V13.1.1
- ETSI EN 301 908-2 V13.1.1
- ETSI EN 301 511 V.12.5.1
- ETSI EN 303 413 V1.1.1

for HUSQVARNA AUTOMOWER® equipped with Automower® Connect 4G/2G:

- ETSI EN 301 489-52 V1.1.0
- ETSI EN 301 489-19 V2.1.1
- ETSI EN 301 908-1 V13.1.1
- ETSI EN 301 908-13 V13.1.1
- ETSI EN 301 511 V.12.5.1
- ETSI EN 303 413 V1.1.1







**Husqvarna**<sup>®</sup>

AUTOMOWER<sup>®</sup> is a trademark owned by Husqvarna AB.  
Copyright<sup>®</sup> 2021 HUSQVARNA. All rights reserved.

[www.husqvarna.com](http://www.husqvarna.com)

---

Original instructions

1142742-26



2022-01-21