

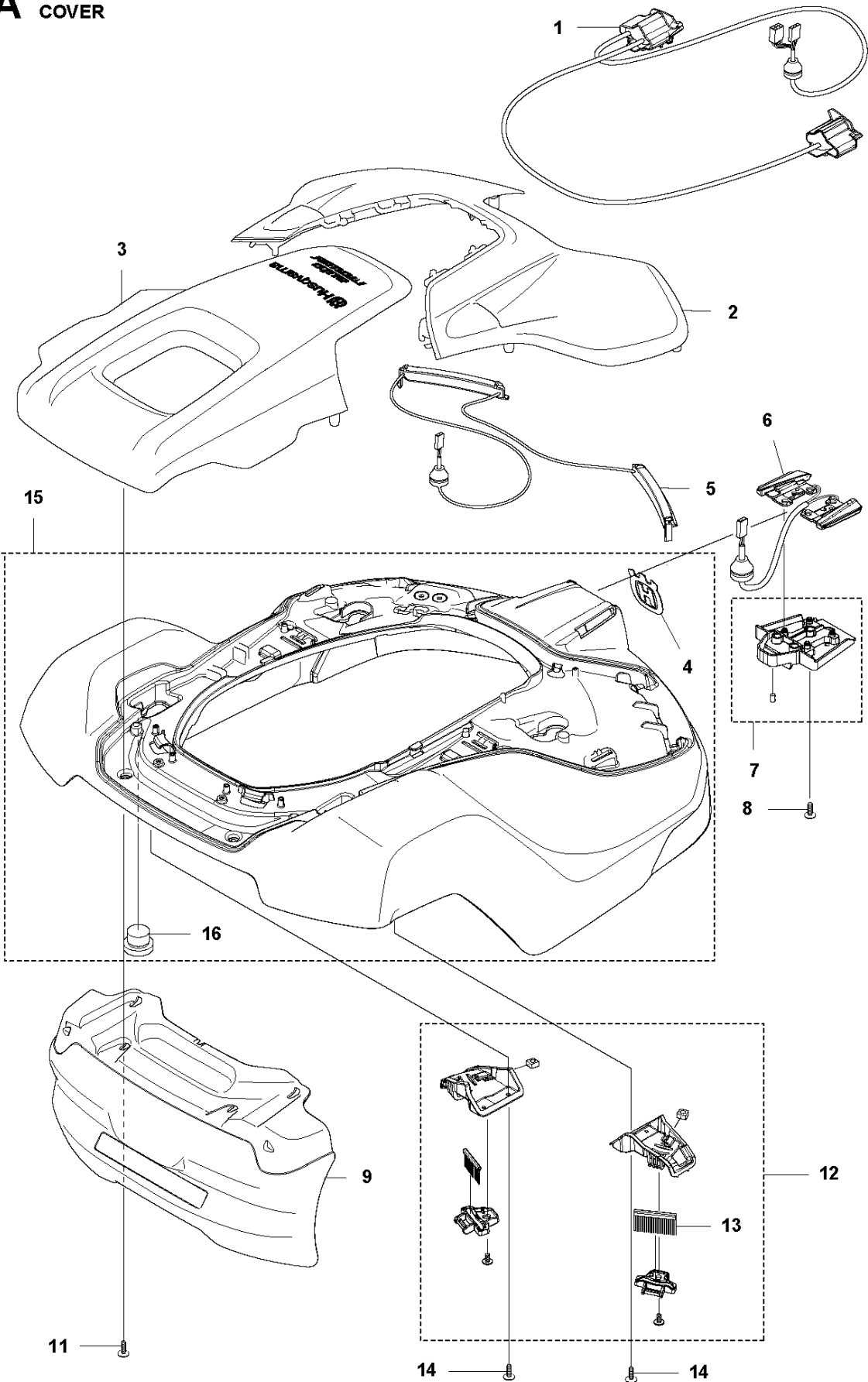


SPARE PARTS LIST

ROBOTIC LAWN MOWERS

AUTOMOWER 550 EPOS

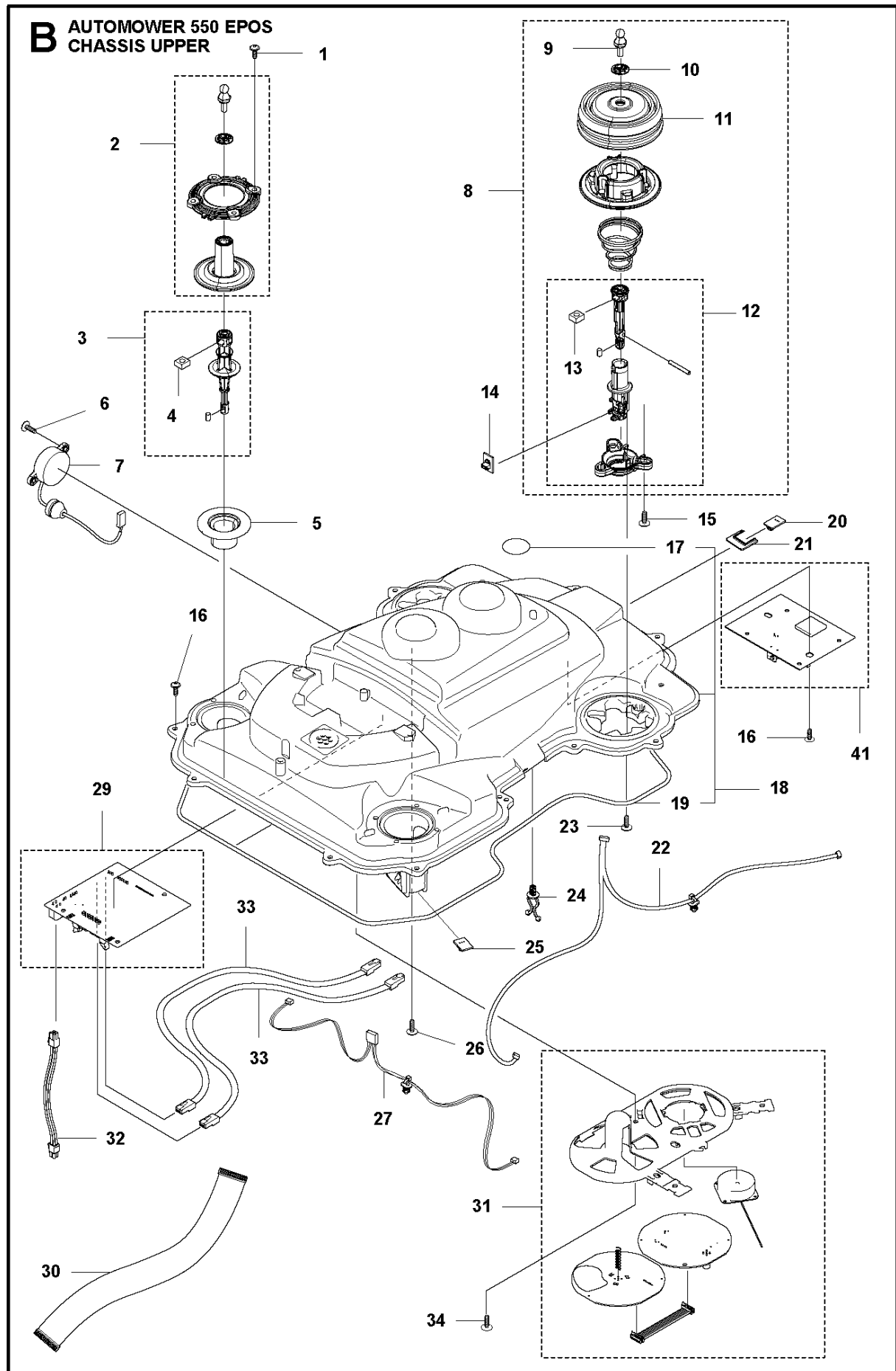
A AUTOMOWER 550 EPOS
COVER



COVER

AUTOMOWER 550 EPOS

| Ref | Part No | Description | Remark | QTY | KIT |
|-----|--------------|--------------|--|-----|-----|
| 1 | 501 06 52-01 | WIRING ASSY | Ultra Sonic Sensor | 1 | |
| 2 | 598 90 52-01 | FRONT COVER | Cover Top Orange | 1 | |
| 3 | 598 90 53-01 | REAR COVER | Cover Top Grey, 550 EPOS | 1 | |
| 4 | 587 42 35-01 | DECAL | Decal Crown | 1 | 15 |
| 5 | 595 31 22-02 | WIRING ASSY | Led Lights Orange | 1 | |
| 6 | 585 53 92-04 | CABLE ASSY | Charging Plate Wiring | 1 | |
| 7 | 501 06 56-02 | HOLDER ASSY | Holder ASSY | 1 | |
| 8 | 575 54 33-14 | SCREW | Screw | 1 | |
| 9 | 588 22 52-02 | BUMPER | Bumper ASSY | 1 | |
| 11 | 574 45 01-01 | SCREW ITPANT | Screw | 12 | |
| 12 | 581 90 31-02 | BRUSH KIT | Brush KIT (brackets and brushes, 6 pcs) | 1 | |
| 13 | 581 98 20-02 | BRUSH KIT | Brush, 6 pcs | 1 | 12 |
| 14 | 575 54 33-14 | SCREW | Screw | 2 | |
| 15 | 501 06 11-02 | BODY ASSY | Body Kit | 1 | |
| 16 | 580 52 68-01 | CAP | Snaploc | 1 | 15 |

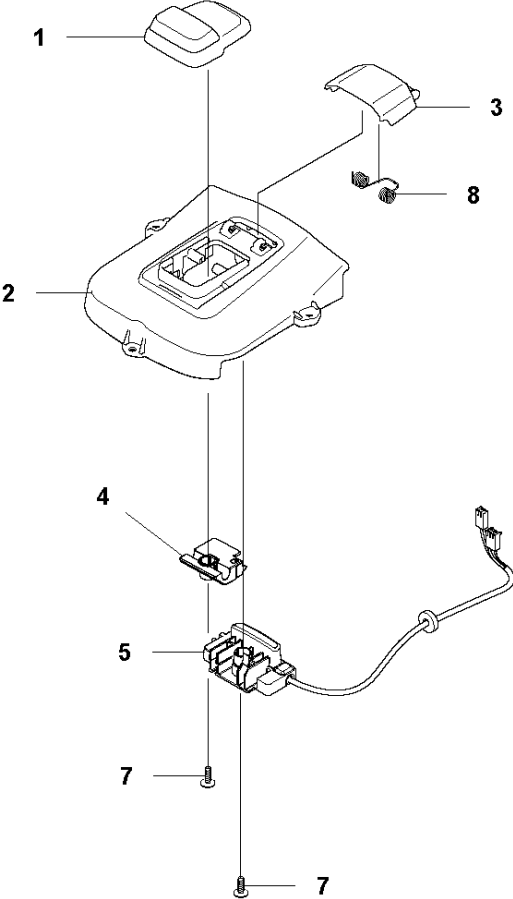


CHASSIS UPPER

AUTOMOWER 550 EPOS

| Ref | Part No | Description | Remark | QTY | KIT |
|-----|--------------|----------------------|-----------------------------------|-----|-------|
| 1 | 574 45 01-01 | SCREW ITXPANT | Screw | 8 | |
| 2 | 501 06 13-01 | JOYSTICK KIT | Joystick KIT Rear | 2 | |
| 3 | 501 12 26-02 | JOYSTICK KIT | Joystick Column KIT | 2 | |
| 4 | 503 22 66-01 | SQUARE NUT | Square Nut | 2 | |
| 5 | 535 14 32-01 | DEFLECTION LIMITER | Deflection Limiter | 2 | |
| 6 | 575 54 33-14 | SCREW | Screw | 2 | |
| 7 | 579 70 63-02 | BUZZER | Buzzer | 1 | |
| 8 | 581 62 09-03 | JOYSTICK KIT | Joystick KIT Front | 2 | |
| 9 | 580 52 67-01 | STUD | Stud | 2 | 8 |
| 10 | 579 52 57-01 | WASHER | Washer | 2 | 8 |
| 11 | 579 47 46-01 | BELLOWS | Bellows | 2 | 8 |
| 12 | 587 44 88-02 | JOYSTICK KIT | Joystick KIT | 2 | 8 |
| 13 | 503 22 66-01 | SQUARE NUT | Square Nut | 2 | 8, 12 |
| 14 | 592 85 23-01 | PRINTED CIRCUIT ASSY | PCBA Lift sensor | 2 | |
| 15 | 575 54 33-14 | SCREW | Screw | 6 | |
| 16 | 574 45 01-01 | SCREW ITXPANT | Screw | 14 | |
| 17 | 577 75 37-01 | AIR FILTER | Air Filter 10 pcs | 1 | 18 |
| 18 | 529 56 42-01 | CHASSIS KIT | Chassis KIT | 1 | |
| 19 | 574 87 47-05 | SEALING STRIP | Sealing Strip (1 pcs, Ø5 mm) | 1 | 18 |
| 20 | 592 85 24-01 | PRINTED CIRCUIT ASSY | PCBA Collision Sensor | 1 | |
| 21 | 587 83 49-01 | CLIP | Clip | 1 | |
| 22 | 579 70 59-02 | WIRING ASSY | Wiring Assy Lift Sensor | 1 | |
| 23 | 574 45 01-01 | SCREW ITXPANT | Screw | 6 | |
| 24 | 580 68 29-01 | HOLDER | Holder Twist Lock | 2 | |
| 25 | 592 85 24-01 | PRINTED CIRCUIT ASSY | PCBA Collision Sensor | 1 | |
| 26 | 574 45 01-01 | SCREW ITXPANT | Screw | 4 | |
| 27 | 581 66 09-01 | WIRING ASSY | Wiring ASSY Collision Sensor | 1 | |
| 29 | 597 97 74-01 | PRINTED CIRCUIT ASSY | PCB Application Board | 1 | |
| 30 | 579 70 62-01 | CABLE ASSY | Wiring | 1 | |
| 31 | 599 30 86-01 | HOLDER ASSY | Holder Assy Antenna Module 868Mhz | 1 | |
| 31 | 599 30 86-02 | HOLDER ASSY | Holder Assy Antenna Module 915Mhz | 1 | |
| 32 | 591 20 31-02 | WIRING ASSY | HMI Cable 4P | 1 | |
| 33 | 589 35 08-05 | WIRING ASSY | Modular Cable | 2 | |
| 34 | 575 54 33-14 | SCREW | Screw | 9 | |
| 41 | 586 66 23-09 | GPS MODULE | AM Connect, KIT ROW | 1 | |
| 41 | 586 66 23-08 | GPS MODULE | AM Connect, KIT AU/NZ | 1 | |
| 41 | 586 66 23-11 | GPS MODULE | AM Connect, KIT US/CA | 1 | |

C AUTOMOWER 550 EPOS
CENTER CONSOL

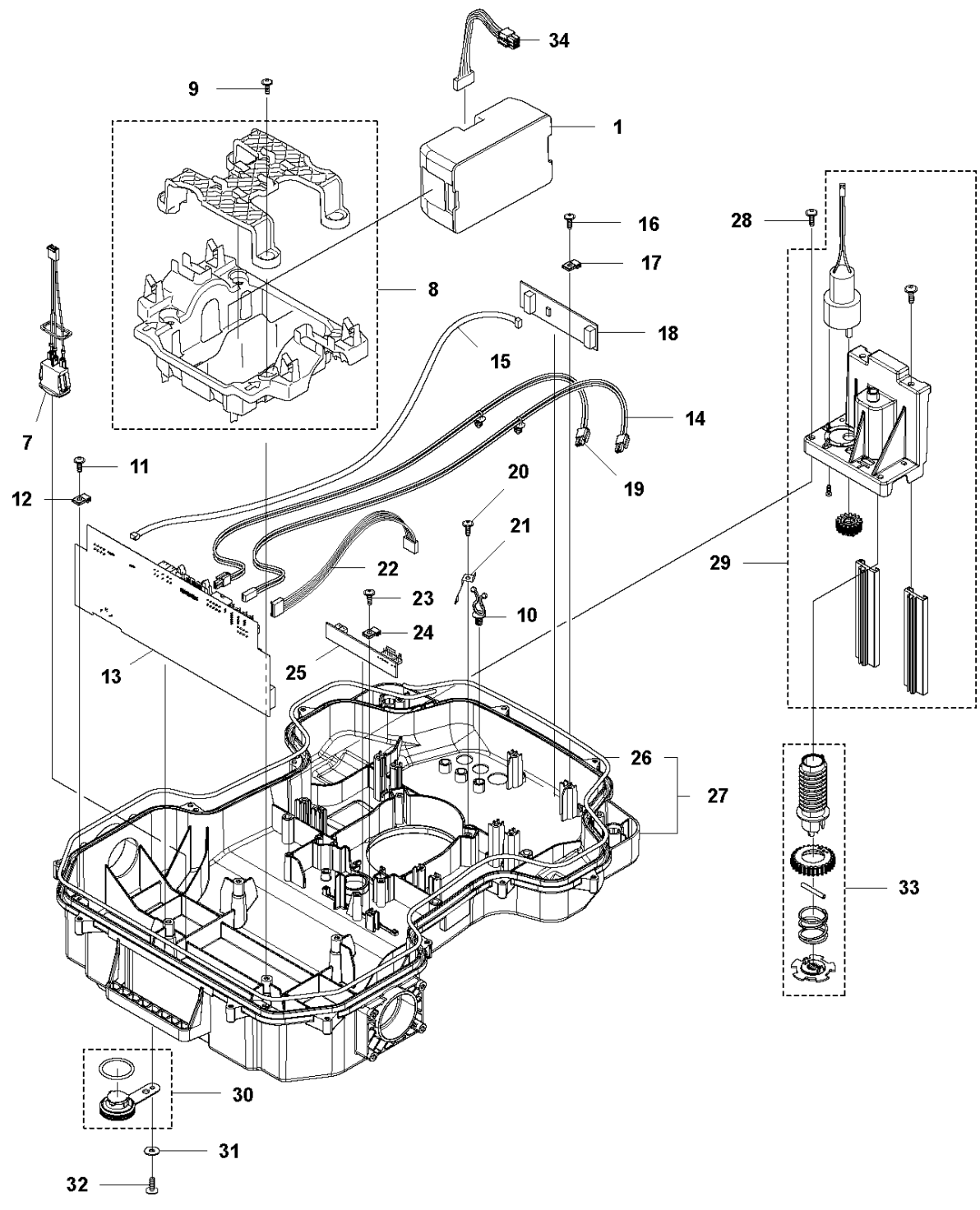
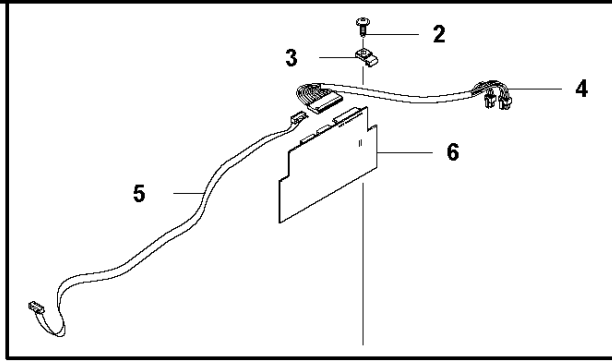


CENTER CONSOL

AUTOMOWER 550 EPOS

| Ref | Part No | Description | Remark | QTY KIT |
|-----|--------------|--------------|-----------------------|---------|
| 1 | 599 47 72-01 | BUTTON | Button Start/Stop | 1 |
| 2 | 599 47 70-01 | CONSOLE | Console Rear | 1 |
| 3 | 599 47 74-01 | LID | Lid Stop/Start button | 1 |
| 4 | 589 33 62-01 | SUPPORT | Support | 1 |
| 5 | 599 21 27-01 | HOUSING ASSY | Stop Button LED Assy | 1 |
| 7 | 575 54 33-14 | SCREW | Screw | 2 |
| 8 | 599 62 88-01 | SPRING | Spring Lid | 1 |

D AUTOMOWER 550 EPOS
CHASSIS LOWER

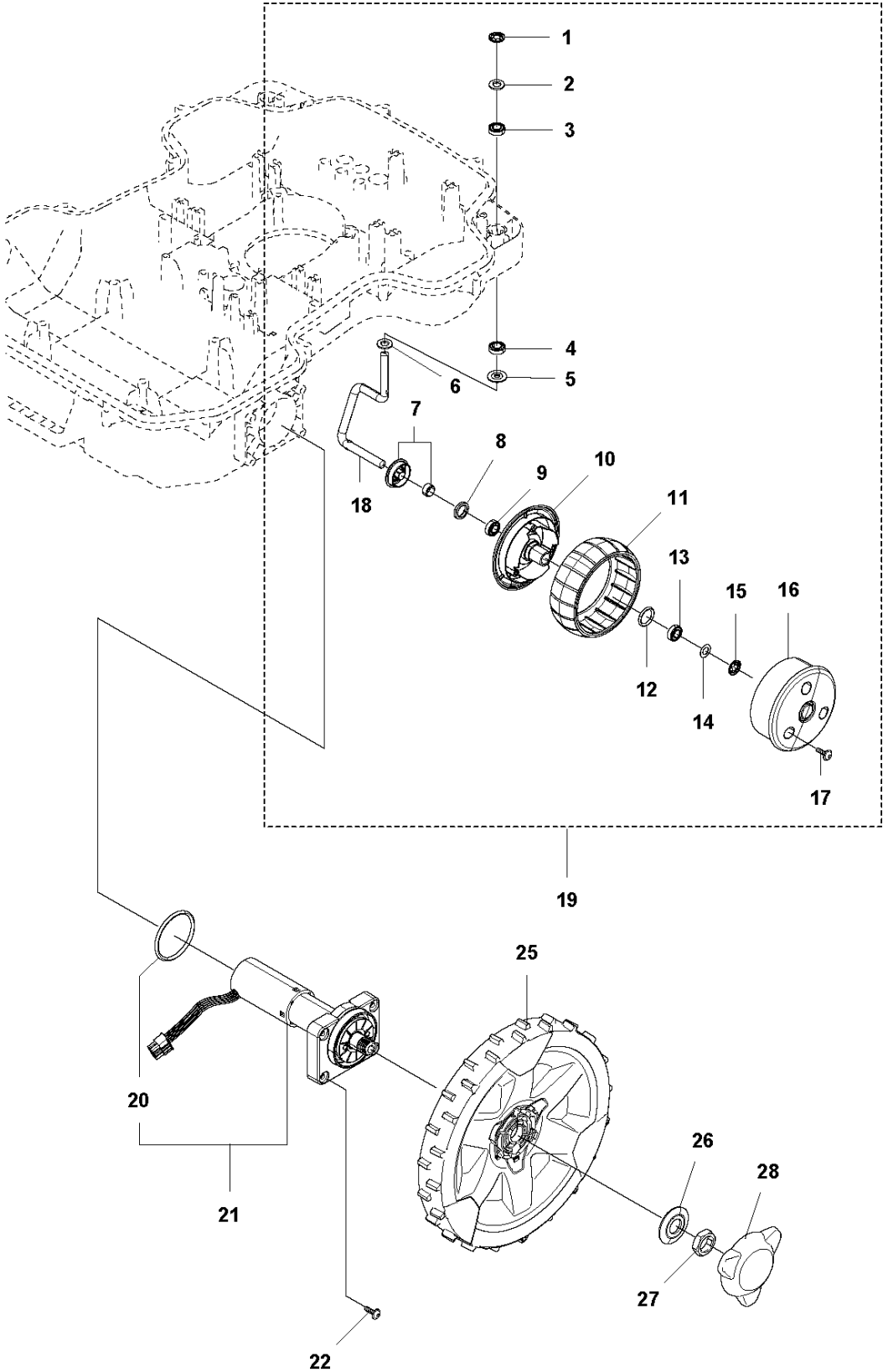


CHASSIS LOWER

AUTOMOWER 550 EPOS

| Ref | Part No | Description | Remark | QTY | KIT |
|-----|--------------|----------------------|-----------------------------------|-----|-----|
| 1 | 593 24 74-01 | BATTERY | Battery | 2 | |
| 2 | 575 54 33-14 | SCREW | Screw | 2 | |
| 3 | 579 52 94-01 | CLAMP | Clamp | 2 | |
| 4 | 580 61 44-02 | WIRING ASSY | US-Extension Wiring | 1 | |
| 5 | 579 70 86-01 | WIRING ASSY | AUX Cable | 1 | |
| 6 | 578 28 57-01 | PRINTED CIRCUIT ASSY | Printed Circuit Ultrasonic | 1 | |
| 7 | 579 70 87-01 | WIRING ASSY | Switch On-Off | 1 | |
| 8 | 596 49 47-01 | HOLDER KIT | Holder Kit | 1 | |
| 9 | 574 45 01-01 | SCREW ITXPANT | Screw | 5 | |
| 10 | 580 68 29-01 | HOLDER | Holder Twist Lock | 3 | |
| 11 | 575 54 33-14 | SCREW | Screw | 2 | |
| 12 | 579 52 94-01 | CLAMP | Clamp | 2 | |
| 13 | 593 83 06-01 | PRINTED CIRCUIT ASSY | Main board | 1 | |
| 14 | 588 81 84-02 | WIRING ASSY | LED-Extension Wiring | 1 | |
| 15 | 579 70 82-01 | WIRING ASSY | Sensor Cable | 1 | |
| 16 | 575 54 33-14 | SCREW | Screw | 2 | |
| 17 | 579 52 94-01 | CLAMP | Clamp | 2 | |
| 18 | 592 85 27-01 | PRINTED CIRCUIT ASSY | Printed Circuit Loop Sensor | 1 | |
| 19 | 580 37 07-02 | WIRING ASSY | Charging Table | 1 | |
| 20 | 575 54 33-14 | SCREW | Screw | 2 | |
| 21 | 581 55 61-01 | SPRING | Spring | 2 | |
| 22 | 579 70 80-01 | WIRING ASSY | Height Adjustment Wiring | 1 | |
| 23 | 575 54 33-14 | SCREW | Screw | 1 | |
| 24 | 579 52 94-01 | CLAMP | Clamp | 1 | |
| 25 | 579 72 85-02 | PRINTED CIRCUIT ASSY | Printed Circuit Height Adjustment | 1 | |
| 26 | 574 87 47-05 | SEALING STRIP | Sealing Strip (1 pcs, Ø5 mm) | 1 | 27 |
| 27 | 583 94 45-02 | CHASSIS KIT | Chassis KIT | 1 | |
| 28 | 575 54 33-14 | SCREW | Screw | 4 | |
| 29 | 501 06 83-01 | MOTOR ASSY | Motor KIT | 1 | |
| 30 | 581 62 12-02 | PLUG KIT | Plug KIT | 1 | |
| 31 | 734 11 37-41 | WASHER | Washer | 1 | |
| 32 | 574 45 01-01 | SCREW ITXPANT | Screw | 1 | |
| 33 | 581 62 16-01 | SCREW KIT | Gear KIT | 1 | |
| 34 | 591 20 36-01 | WIRING ASSY | Battery | 1 | |

E AUTOMOWER 550 EPOS
WHEELS & TIRES

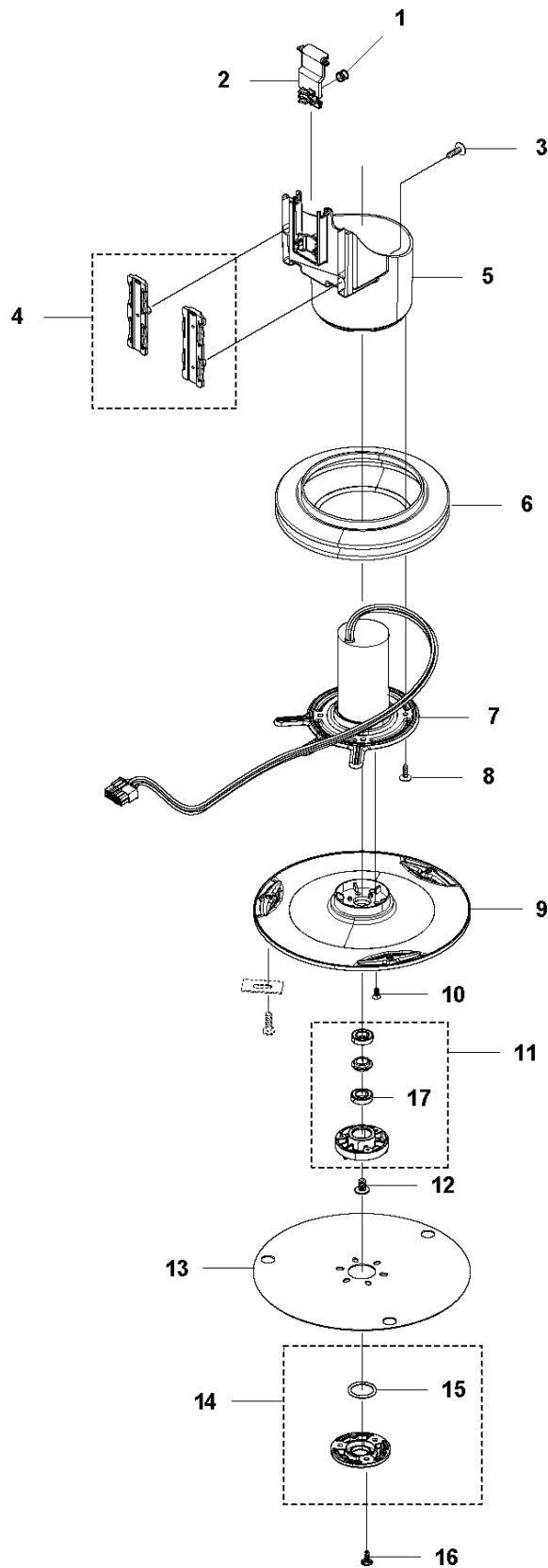


WHEELS & TIRES

AUTOMOWER 550 EPOS

| Ref | Part No | Description | Remark | QTY | KIT |
|-----|--------------|------------------|------------------|-----|-----|
| 1 | 576 01 93-02 | LOCKWASHER | Lock Washer | 2 | 19 |
| 2 | 580 76 46-01 | WASHER | Washer | 2 | 19 |
| 3 | 597 79 56-01 | BALL BEARING | Tube 50 pcs | 1 | 19 |
| 3 | 580 60 51-01 | BALL BEARING | Ball Bearing | 2 | 19 |
| 4 | 597 79 56-01 | BALL BEARING | Tube 50 pcs | 1 | 19 |
| 4 | 580 60 51-01 | BALL BEARING | Ball Bearing | 2 | 19 |
| 5 | 535 08 78-03 | WASHER | Washer | 2 | 19 |
| 6 | 580 76 46-01 | WASHER | Washer | 2 | 19 |
| 7 | 581 62 15-01 | SHIELD KIT | Shield KIT | 2 | 19 |
| 8 | 580 48 71-01 | SEALING | Sealing | 2 | 19 |
| 9 | 597 79 56-01 | BALL BEARING | Tube 50 pcs | 1 | 19 |
| 9 | 580 60 51-01 | BALL BEARING | Ball Bearing | 2 | 19 |
| 10 | 579 45 71-01 | WHEEL | Wheel Inside | 2 | 19 |
| 11 | 574 44 98-01 | WHEEL | Tire | 2 | 19 |
| 12 | 580 44 51-01 | O-RING | O-Ring | 2 | 19 |
| 13 | 597 79 56-01 | BALL BEARING | Tube 50 pcs | 1 | 19 |
| 13 | 580 60 51-01 | BALL BEARING | Ball Bearing | 2 | 19 |
| 14 | 580 76 46-01 | WASHER | Washer | 2 | 19 |
| 15 | 576 01 93-02 | LOCKWASHER | Lock Washer | 2 | 19 |
| 16 | 579 45 72-01 | WHEEL | Wheel Outside | 2 | 19 |
| 17 | 575 54 33-14 | SCREW | Screw | 6 | 19 |
| 18 | 580 33 61-01 | SPINDLE | Spindle | 2 | 19 |
| 19 | 581 62 14-02 | WHEEL KIT | Front Wheel KIT | 2 | |
| 20 | 580 44 39-02 | O-RING | O-Ring | 2 | |
| 21 | 581 62 13-06 | MOTOR KIT | Wheel Motor ASSY | 2 | |
| 22 | 574 45 01-01 | SCREW ITXPANT | Screw | 8 | |
| 25 | 582 28 02-01 | WHEEL ASSY | Rear Wheel | 2 | |
| 26 | 586 21 06-01 | WASHER | Washer | 2 | |
| 27 | 731 43 24-01 | HEXAGON THIN NUT | Thin Nut | 2 | |
| 28 | 579 50 55-02 | HUB CAP | Hub Cap | 2 | |

F AUTOMOWER 550 EPOS
BLADE MOTOR & CUTTING EQUIPMENT

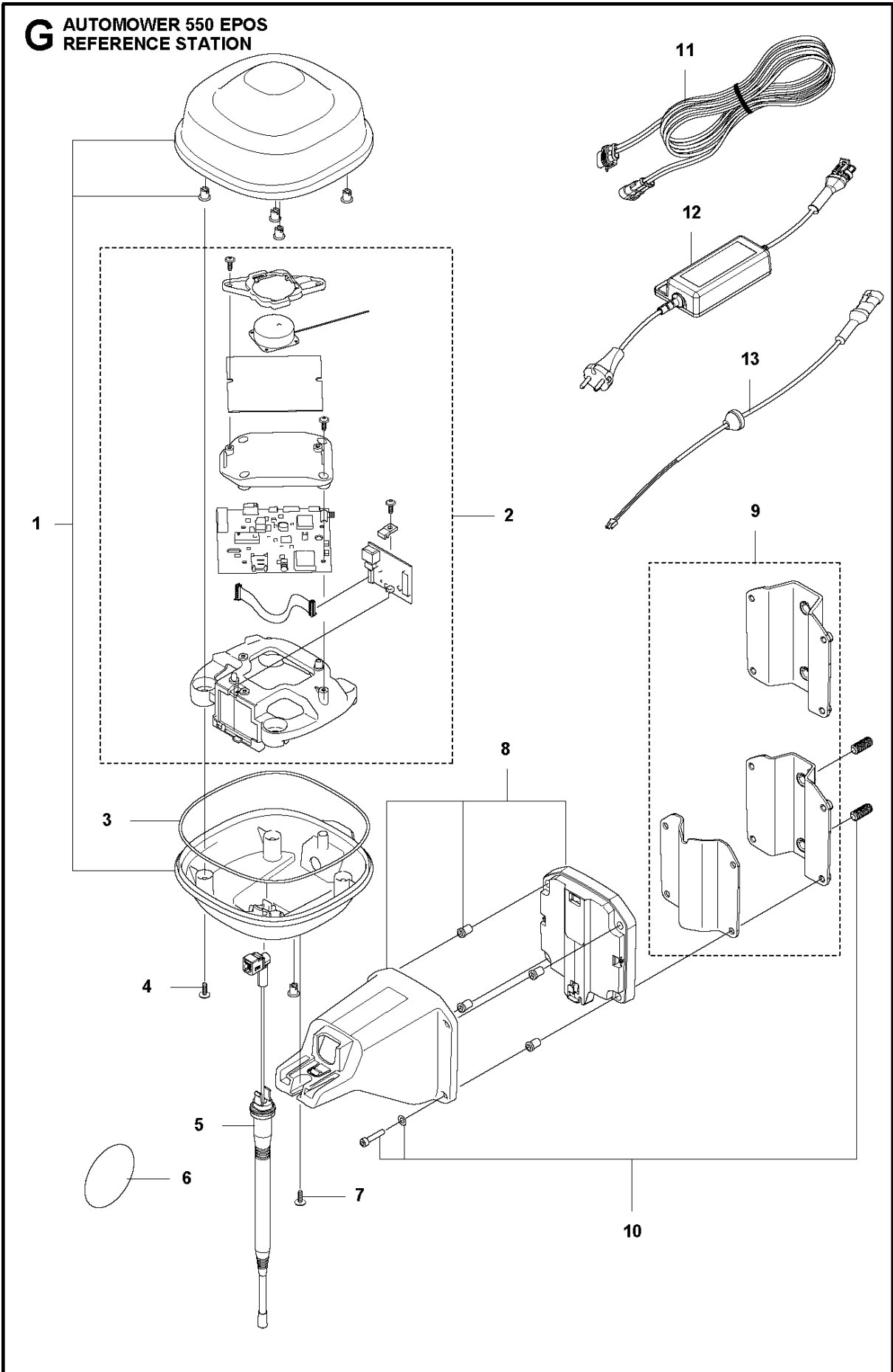


BLADE MOTOR & CUTTING EQUIPMENT

AUTOMOWER 550 EPOS

| Ref | Part No | Description | Remark | QTY KIT | |
|-----|--------------|----------------------|--------------------------|---------|----|
| 1 | 580 62 44-01 | SPRING | Spring | 1 | |
| 2 | 579 56 46-01 | LINK | Link | 1 | |
| 3 | 575 54 33-14 | SCREW | Screw | 3 | |
| 4 | 581 62 18-01 | BEARING KIT | Bearing KIT | 1 | |
| 5 | 579 56 45-01 | HOUSING | Housing | 1 | |
| 6 | 579 66 64-03 | BELLOWS | Bellows | 1 | |
| 7 | 587 38 14-01 | MOTOR ASSY | Cutting Motor ASSY | 1 | |
| 8 | 575 54 33-14 | SCREW | Screw | 4 | |
| 9 | 598 81 44-01 | CUTTING DISC | Cutting Disc | 1 | |
| 10 | 590 50 87-01 | SCREW | Screw | 3 | |
| 11 | 588 42 17-02 | BEARING HOUSING ASSY | Bearing Housing KIT | 1 | |
| 12 | 535 07 60-01 | SCREW | Screw | 1 | |
| 13 | 597 44 98-01 | SKID PLATE | Skid Plate | 1 | |
| 14 | 587 44 96-01 | COVER KIT | Bearing Cover KIT | 1 | |
| 15 | 585 29 75-01 | O-RING | O-Ring | 1 | |
| 16 | 575 54 33-14 | SCREW | Screw | 3 | |
| 17 | 535 07 57-03 | BALL BEARING | Ball Bearing | 1 | 11 |
| 17 | 593 08 08-01 | BALL BEARING | Ball Bearing Tube 50 pcs | 1 | 11 |

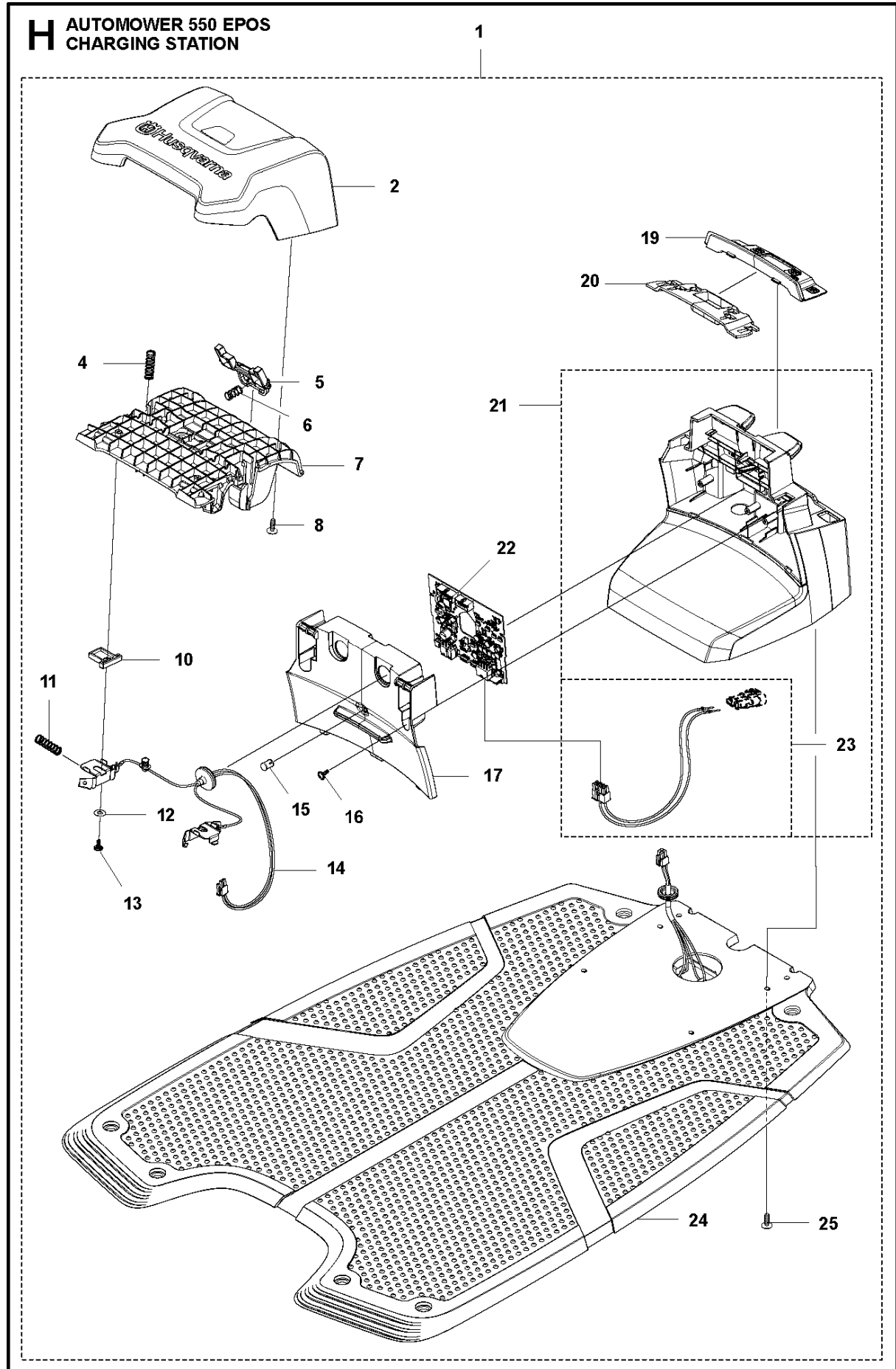
G AUTOMOWER 550 EPOS
REFERENCE STATION



REFERENCE STATION

AUTOMOWER 550 EPOS

| Ref | Part No | Description | Remark | QTY KIT |
|-----|--------------|----------------------|-------------------------------------|---------|
| 1 | 529 44 01-01 | HOUSING ASSY | Enclosure Kit | 1 |
| 2 | 599 13 98-01 | PRINTED CIRCUIT ASSY | RTK Sub Assy EU | 1 |
| 2 | 599 13 98-02 | PRINTED CIRCUIT ASSY | RTK Sub Assy US | 1 |
| 3 | 599 91 18-01 | SEAL | EPDM Seal | 1 |
| 4 | 599 63 19-01 | SCREW ITXPANM | Screw | 4 |
| 5 | 598 96 05-02 | ANTENNA | Antenna | 1 |
| 6 | 577 75 37-02 | AIR FILTER | Air Filter, Goretext 14mm 10 pcs | 1 |
| 7 | 588 22 22-01 | SCREW ITXPANM | Screw | 1 |
| 8 | 529 41 32-01 | ARM | Link Arm kit | 1 |
| 9 | 529 65 07-01 | BRACKET | Post Bracker Kit | 1 |
| 10 | 599 66 15-01 | PACKING ASSY | Fixing Kit | 1 |
| 11 | 579 82 51-01 | CABLE ASSY | Low Voltage Cable, 20 m | 1 |
| 11 | 579 82 51-02 | CABLE ASSY | Low Voltage Cable, 10 m | 1 |
| 11 | 579 82 51-03 | CABLE ASSY | Low Voltage Cable, 3 m | 1 |
| 11 | 579 82 51-04 | CABLE ASSY | Low Voltage Cable, 5 m | 1 |
| 12 | 593 16 36-01 | POWER UNIT | Power Supply Unit EU | 1 |
| 12 | 590 44 22-02 | POWER UNIT | Power Supply Unit UK | 1 |
| 12 | 590 44 22-03 | POWER UNIT | Power Supply Unit CH | 1 |
| 12 | 590 44 22-04 | POWER UNIT | Power Supply Unit US | 1 |
| 12 | 590 44 22-05 | POWER UNIT | Power Supply Unit AU/NZ | 1 |
| 13 | 598 93 65-01 | WIRING ASSY | Power Cable | 1 |

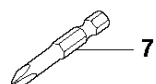
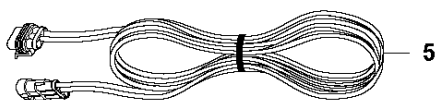
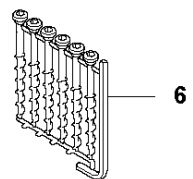
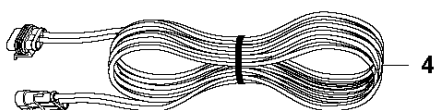
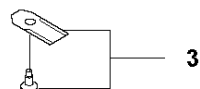
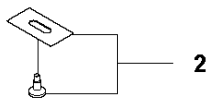
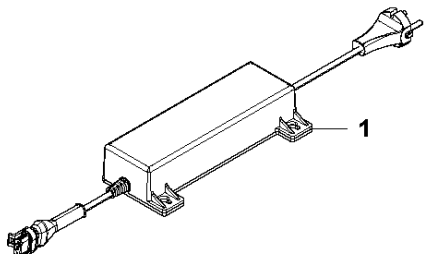


CHARGING STATION

AUTOMOWER 550 EPOS

| Ref | Part No | Description | Remark | QTY KIT |
|-----|--------------|----------------------|--|---------|
| 1 | 598 91 40-02 | CHARGING STATION | Charging Station | 1 |
| 2 | 579 44 82-03 | CAP | Cap | 1 |
| 4 | 580 51 14-01 | SPRING | Spring | 2 |
| 5 | 579 46 24-02 | BUTTON | Button □ Release | 1 |
| 6 | 574 48 70-01 | SPRING | Spring | 1 |
| 7 | 579 45 80-04 | FRAME | Frame | 1 |
| 8 | 575 54 33-14 | SCREW | Screw | 4 |
| 10 | 579 46 05-02 | SPACER | Distance | 2 |
| 11 | 580 51 14-01 | SPRING | Spring | 2 |
| 12 | 734 11 37-41 | WASHER | Washer | 2 |
| 13 | 575 54 33-14 | SCREW | Screw | 2 |
| 14 | 585 53 95-02 | CABLE ASSY | Loom Charging Contact | 1 |
| 15 | 590 21 72-01 | LENS | Lens | 1 |
| 16 | 575 54 33-14 | SCREW | Screw | 2 |
| 17 | 579 45 97-04 | LID | Lid | 1 |
| 19 | 579 45 98-05 | PANEL | Panel | 1 |
| 20 | 579 45 99-01 | HOLDER | Holder | 1 |
| 21 | 531 03 20-01 | HOUSING | Housing KIT | 1 |
| 22 | 596 32 80-06 | PRINTED CIRCUIT ASSY | Printed Circuit PCBA Charging station | 1 |
| 23 | 588 47 89-02 | CABLE KIT | Cable KIT | 1 |
| 24 | 590 09 40-01 | BASE ASSY | Charging Plate | 1 |
| 25 | 575 54 33-14 | SCREW | Screw | 4 |

**AUTOMOWER 550 EPOS
INSTALLATION ACCESSORIES**

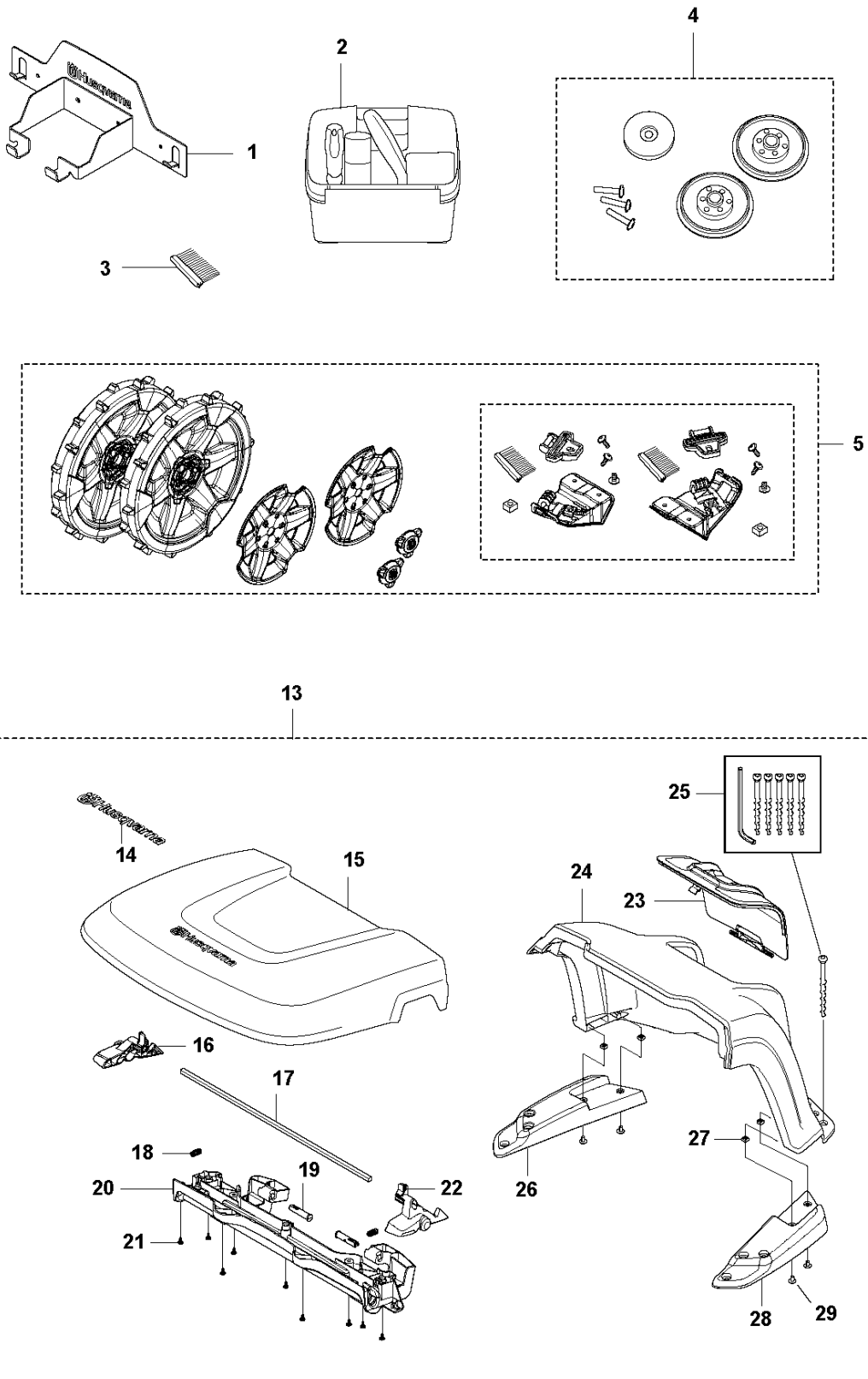


INSTALLATION ACCESSORIES

AUTOMOWER 550 EPOS

| Ref | Part No | Description | Remark | QTY KIT |
|-----|--------------|-------------|---|---------|
| 1 | 590 44 25-01 | POWER UNIT | Power Supply Unit EU | 1 |
| 1 | 590 44 25-02 | POWER UNIT | Power Supply Unit UK | 1 |
| 1 | 590 44 25-03 | POWER UNIT | Power Supply Unit CH | 1 |
| 1 | 590 44 25-04 | POWER UNIT | Power Supply Unit US | 1 |
| 1 | 590 44 25-05 | POWER UNIT | Power Supply Unit AU/NZ | 1 |
| 2 | 595 08 44-01 | BLADE SET | Endurance Blades, Blister pack 6 pcs incl. Screws | 1 |
| 2 | 595 08 44-02 | BLADE SET | Endurance Blades, 45 pcs incl. Screws | 1 |
| 2 | 595 08 44-03 | BLADE SET | Endurance Blades, 300 pcs incl. Screws | 1 |
| 2 | 599 80 52-01 | BLADE SET | Endurance HSS Blades 6 pcs incl. Screws | 1 |
| 2 | 599 80 52-02 | BLADE SET | Endurance HSS Blades 45 pcs incl. Screws | 1 |
| 2 | 599 80 52-03 | BLADE SET | Endurance HSS Blades 300 pcs incl. Screws | 1 |
| 3 | 577 86 46-03 | BLADE SET | Blades 9 pcs incl. Screws | 1 |
| 3 | 577 60 65-05 | BLADE SET | Blades 45 pcs incl. Screws | 1 |
| 3 | 577 60 66-04 | BLADE SET | Blades 300 pcs incl. Screws | 1 |
| 4 | 588 76 50-04 | CABLE | Low Voltage Cable, 20 m | 1 |
| 4 | 588 76 50-05 | CABLE | Low Voltage Cable, 10 m | 1 |
| 5 | 588 76 50-06 | CABLE | Low Voltage Cable, 3 m | 1 |
| 6 | 597 43 58-01 | ANCHOR | 6 pcs+Key | 1 |
| 7 | 596 33 98-01 | TOOL | Bit for Automower blades MOQ 5 pcs | 1 |

J AUTOMOWER 550 EPOS
ACCESSORIES



ACCESSORIES

AUTOMOWER 550 EPOS

| Ref | Part No | Description | Remark | QTY | KIT |
|-----|--------------|--------------|-------------------------------|-----|-----|
| 1 | 585 01 97-02 | WALL HANGER | Wall Hanger | 1 | |
| 2 | 590 85 51-01 | KIT | Maintenance and Cleaning KIT | 1 | |
| 3 | 581 98 20-02 | BRUSH KIT | Brush, 6pcs | 1 | |
| 4 | 597 49 63-02 | ADAPTER | Fairway KIT | 1 | |
| 5 | 581 88 97-02 | WHEEL KIT | Rear Wheel Kit incl Brush Kit | 1 | |
| 13 | 585 01 94-01 | HOUSING | House KIT | 1 | |
| 13 | 585 01 94-10 | HOUSING | House KIT US | 1 | |
| 14 | 577 46 90-01 | DECAL | Decal | 1 | 13 |
| 15 | 586 88 58-01 | KIT | Cover Lid | 1 | 13 |
| 16 | 585 32 40-02 | HANDLE | Handle Left | 1 | 13 |
| 17 | 585 32 41-01 | ROD | Rod | 1 | 13 |
| 18 | 580 51 14-01 | SPRING | Spring | 2 | 13 |
| 19 | 585 34 15-01 | HINGE PIN | Hinge Pin | 2 | 13 |
| 20 | 585 34 16-01 | BEAM | Beam | 1 | 13 |
| 21 | 575 54 33-14 | SCREW | Screw | 9 | 13 |
| 22 | 585 32 40-01 | HANDLE | Handle Right | 1 | 13 |
| 23 | 585 32 36-01 | HATCH | Hatch | 1 | 13 |
| 24 | 585 32 34-01 | COVER | Cover Base | 1 | 13 |
| 25 | 597 43 58-01 | ANCHOR | 6 pcs+Key | 1 | 13 |
| 26 | 585 32 38-02 | SUPPORT | Support Base Left | 1 | 13 |
| 27 | 503 22 66-01 | SQUARE NUT | Square Nut | 4 | 13 |
| 28 | 585 32 38-01 | SUPPORT | Support Base Right | 1 | 13 |
| 29 | 535 12 93-03 | SCREW IHPANM | Screw | 4 | 13 |