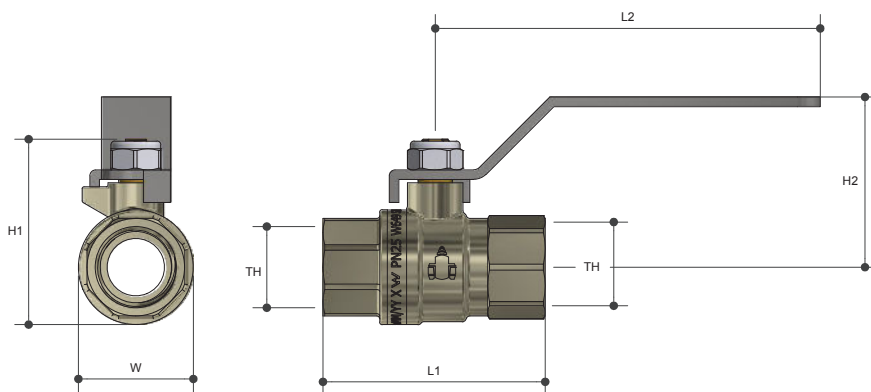


DUAL APPROVED BALL VALVE

Lever Handle FI X FI

Product Specifications



Features

Watermark and AGA approved (AS4617-Type-1)

Full bore

100% pressure tested

Available in sizes 6mm (1/4") to 100mm (4")

Blow proof spindle

Tested and certified to WMTS012

Specifications

Working temperature -20°C to 120°C

Maximum pressure rating Water 2500kPa Gas 2100kPa

Sizing Chart (MM)

	L1	L2	H1	H2	W	TH
W06F	48	87	47	44	25	Rp 1/4"
W15F	58	101	48	44	30	Rp 1/2"
W20F	66	101	48	48	37	Rp 3/4"
W25F	81	101	55	52	46	Rp 1"
W32F	91	140	80	71	58	Rp 1 1/4"
W40F	102	140	92	77	69	Rp 1 1/2"
W50F	121	140	108	85	84	Rp 2"
W65F	150	232	143	110	108	Rp 2 1/2"
W80F	177	232	166	122	130	Rp 3"
W100F	212	232	195	136	160	Rp 4"

Material Chart

Part	Material
Body	DR Brass
Seal	PTFE
Ball (15-40MM)	DR Brass
Ball (50-100MM)	Stainless Steel
Spindle (15-40MM)	DR Brass
Spindle (50-100MM)	Stainless Steel
O Ring	FKM
Handle	Stainless Steel
Lock Nut	Stainless Steel
Bonnet	DR Brass

For more information on Logi Valve, contact:
 Austworld 15 Activity Crescent, Molendinar, Queensland 4214 Australia
 P. 1300 780 430 F. 1300 780 441 E. info@austworld.com.au

Austworld Pty Ltd. All rights reserved 2018. Austworld and Logi Valve are registered trade mark belonging to Austworld Pty Ltd.

