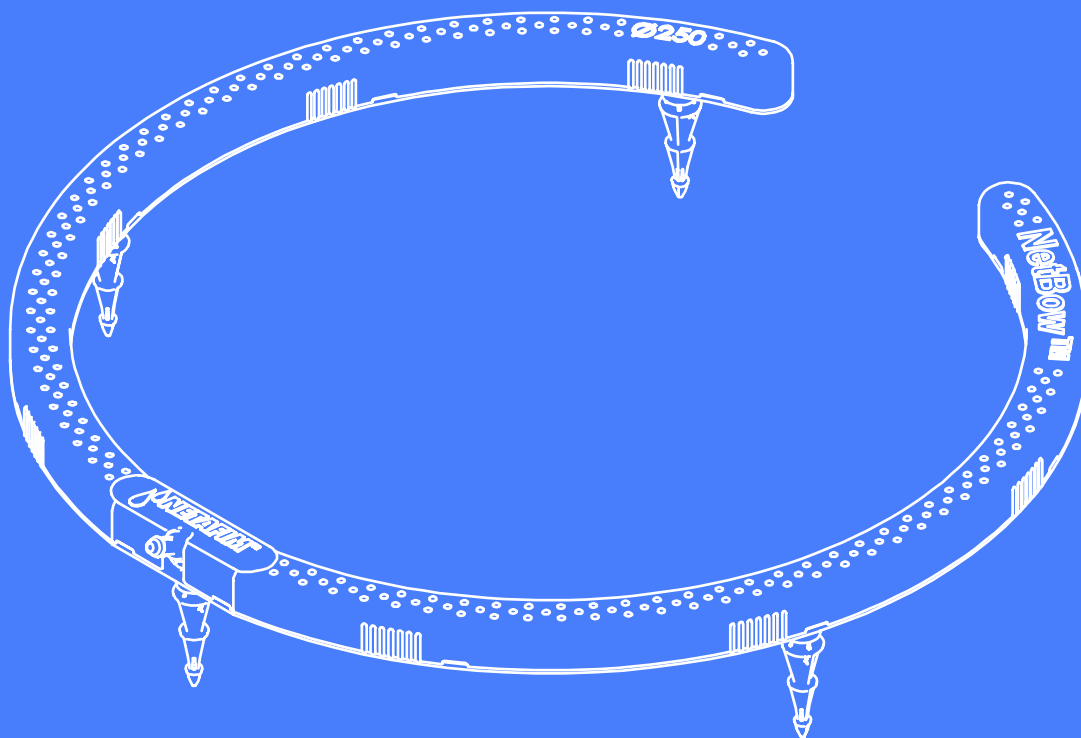


NetBow™

Container Irrigation Multi-Outlet Dropper Arc

Installation Manual



NetBow™

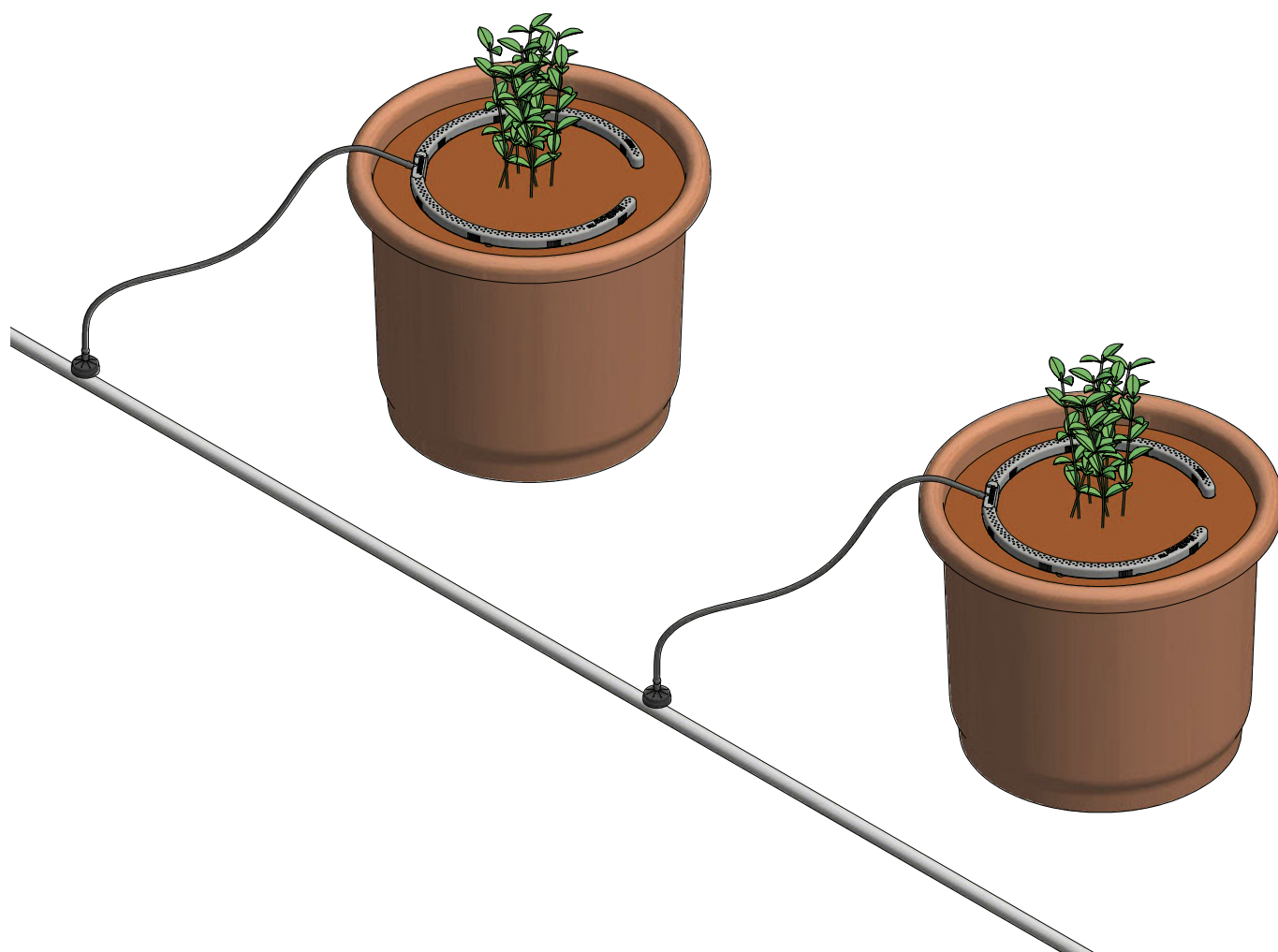
Container Irrigation Arc

An innovative user friendly container irrigation multi-outlet dripper arc with high clogging resistance and superb water distribution



Specs. & Recommendations

- Compatible with 20-40 liters (5-10 gallon) containers
- Diameter: 250mm (10 inches)
- The flow from each dripping outlet is determined by the hub dripper.
- Flow of the hub dripper should be 2-8 l/h (0.43-1.76 GPH).
If your flow/pressure is out of this range follow Netafim guidelines for online dripper design
- Max. operating pressure: 4.0 bar (58 PSI)



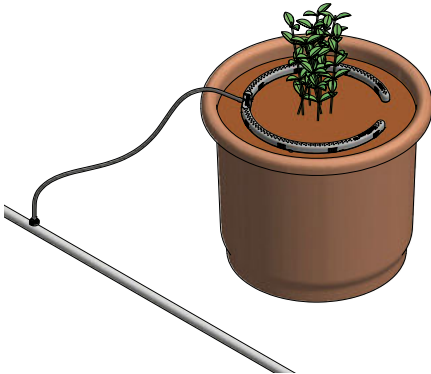
Connection options

NetBow™ can be connected to various hub dripper - PCJ, PC, or Uniram™ with Dr. Zip

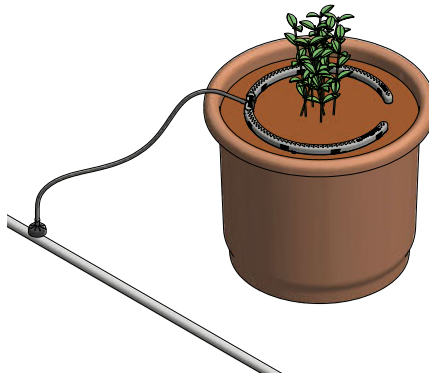
- When connected directly to water supply NetBow™ delivers 2 l/h from each one of its 8 dripping outlets (total flow rate: 16 l/h) at 1.0 bar.
- When connected to a hub dripper NetBow™ can deliver flow rate as low as ¼ l/h from each one of its 8 dripping outlets (total flow rate: 2 l/h), while maintaining sufficient velocity for self-cleaning.

NetBow™ options of hub dripper

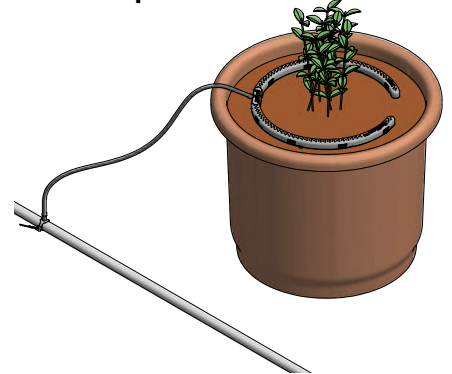
PCJ online



PC online



Uniram™ with Dr. Zip

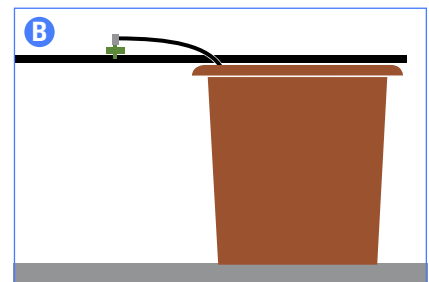
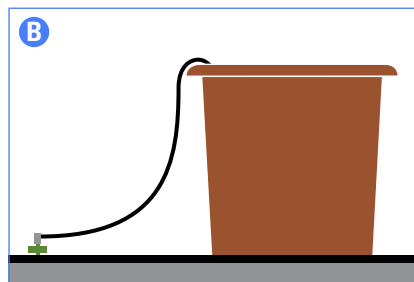
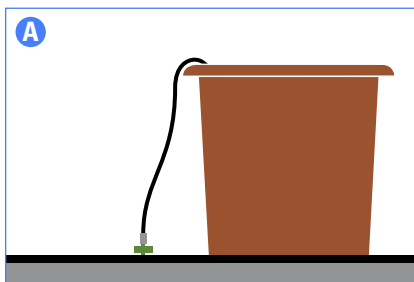


Installation

- Cut a section of 3X5mm diameter micro-tube at the required length to reach conveniently from the hub dripper to the NetBow™ inlet. Using SSPE (super soft polyethylene) micro-tube is recommended for ease of installation (pre-cut SSPE micro-tube sections of the required length with the required fittings can be ordered).
- Connect it to the barb connector of the hub dripper. If the hub dripper is fitted with a Press-Fit connector, use a Press-Fit to barb adapter (see available options on page 4).

Use the appropriate type of adaptor according to the dripperline and hub-dripper location

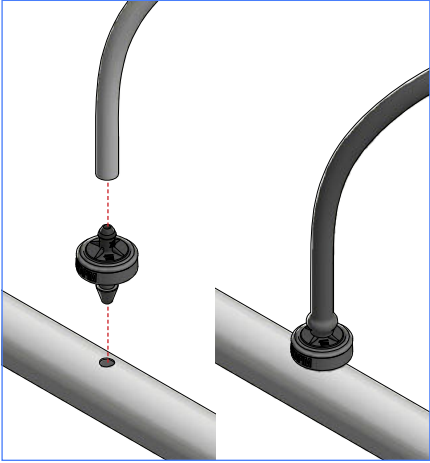
- A** If the hub dripper is at close proximity to the pot and the dripperline is located on the surface on which the pot rests, use a straight barb adapter.
- B** If the hub dripper is at a distance from the pot or the dripperline is located on top of the pot, use an elbow barb adapter.



NetBow™ options of connection to the hub dripper

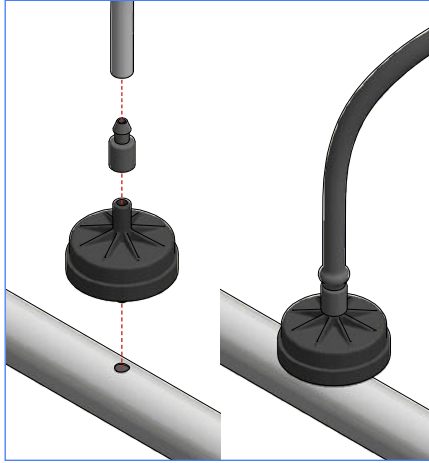
PCJ online

- PCJ with barb connector



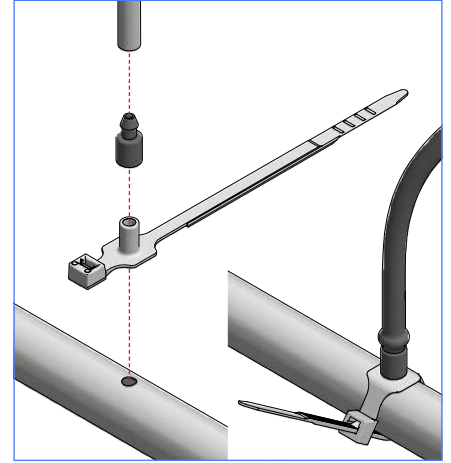
PC online

- PC with PressFit connector and straight Press-Fit to barb adaptor

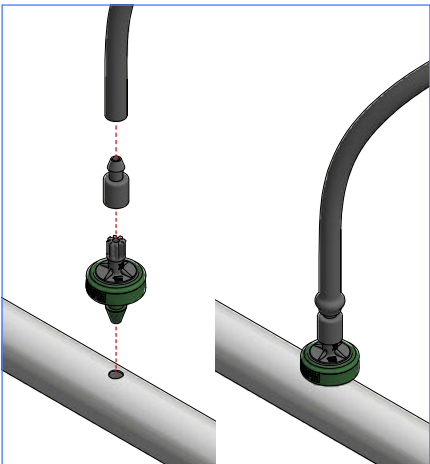


Uniram™ with Dr. Zip

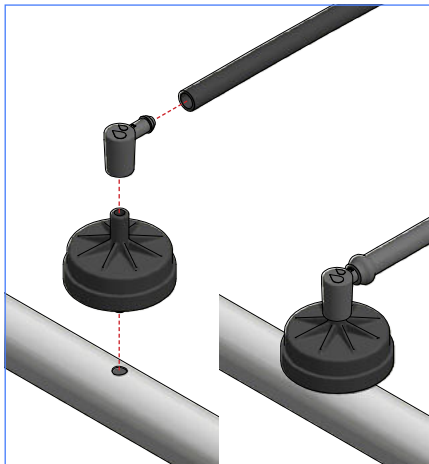
- Uniram with Dr. Zip and straight Press-Fit to barb adaptor



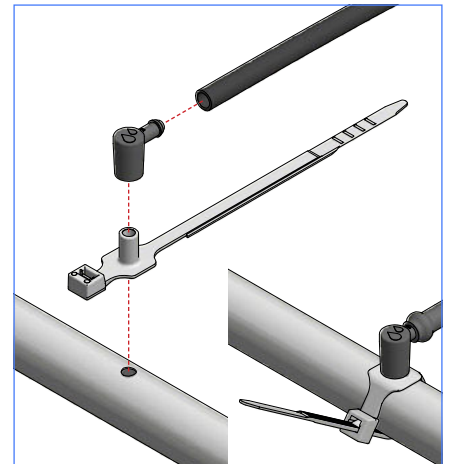
- PCJ with Press-Fit connector and straight Press-Fit to barb adaptor



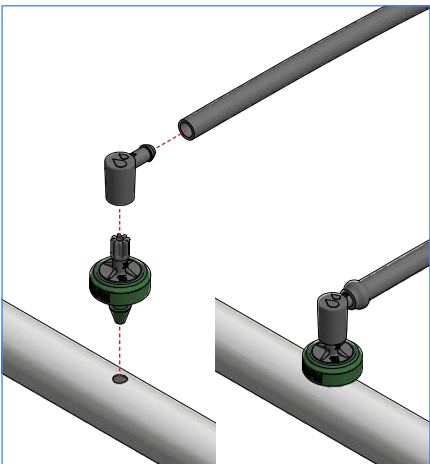
- PC with Press-Fit connector and elbow Press-Fit to barb adaptor



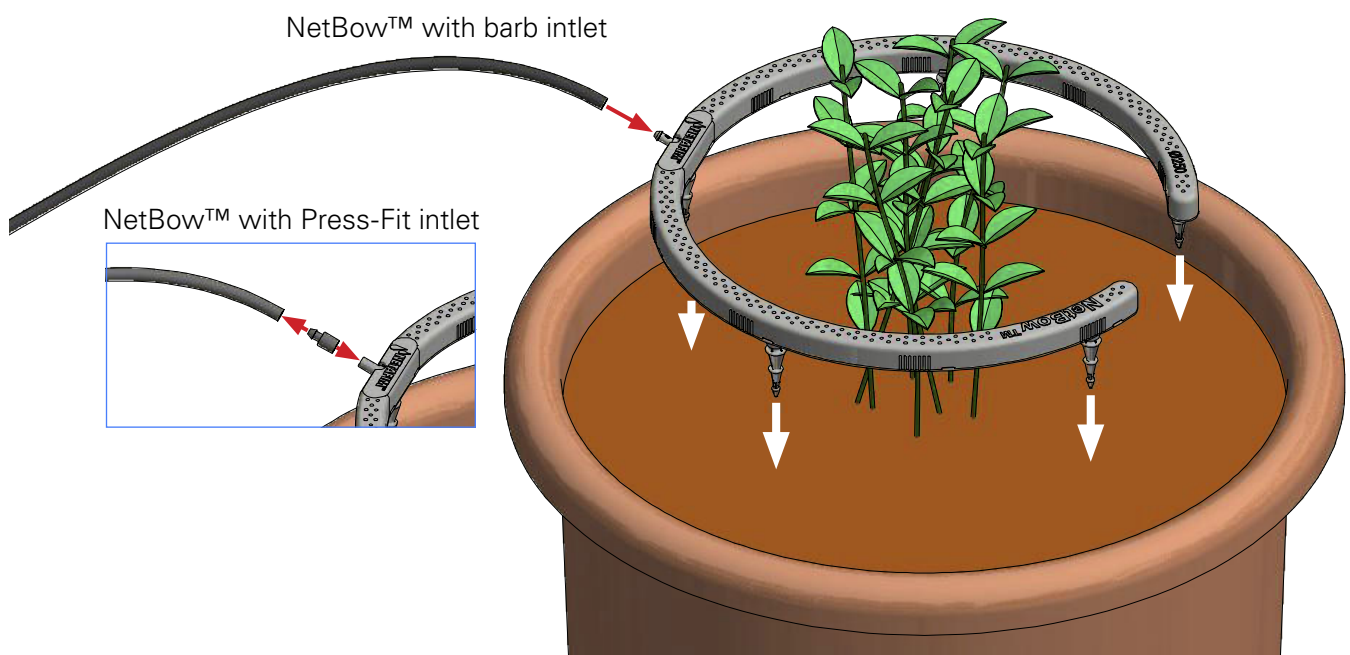
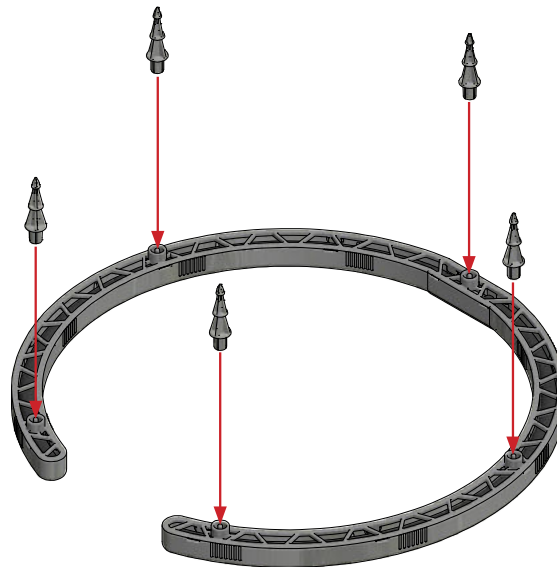
- Uniram with Dr. Zip and elbow Press-Fit to barb adaptor



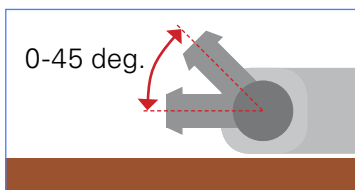
- PCJ with Press-Fit connector and elbow Press-Fit to barb adaptor



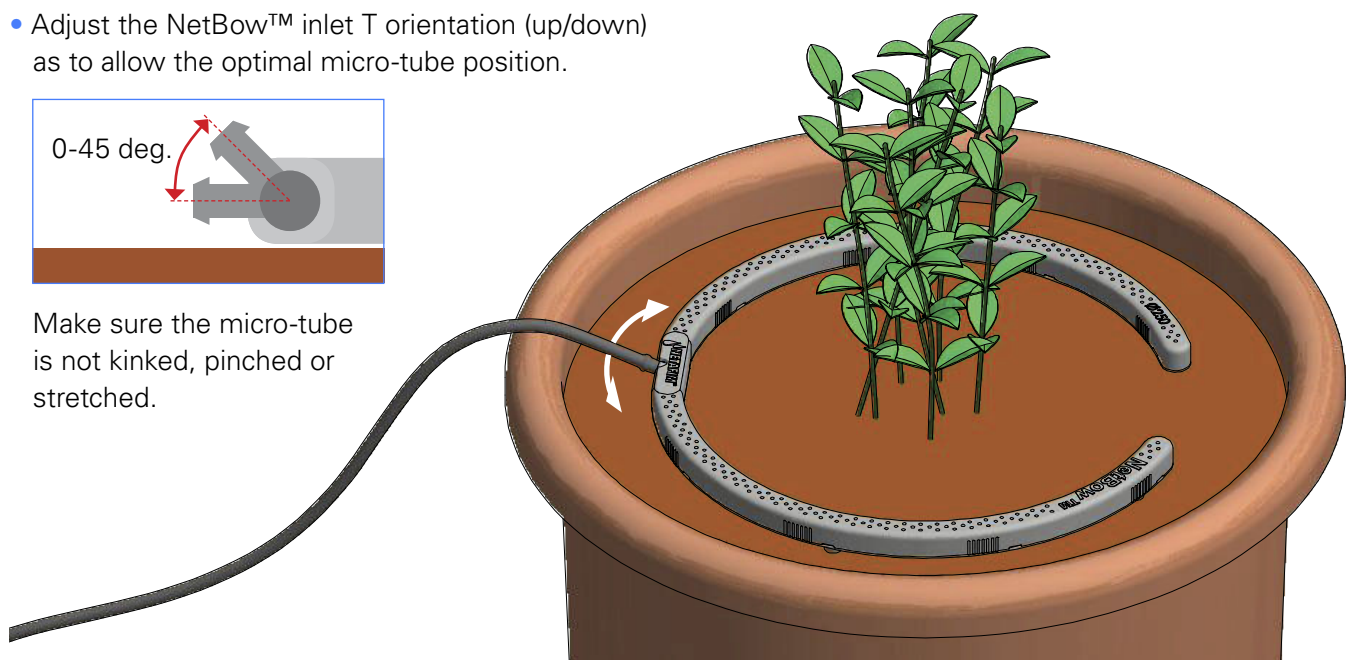
- Insert the 5 spikes into the 5 holes on the NetBow™ underside
- Place the NetBow™ on the the substrate surface in the pot, surrounding the plant location.
- Connect the free side of the micro-tube to the NetBow™ barb inlet. For NetBow™ with Press-Fit inlet use a straight Press-Fit to barb adaptor
- Insert the NetBow™ spikes into the soil so that its underside is in contact with the soil.



- Adjust the NetBow™ inlet T orientation (up/down) as to allow the optimal micro-tube position.



Make sure the micro-tube is not kinked, pinched or stretched.



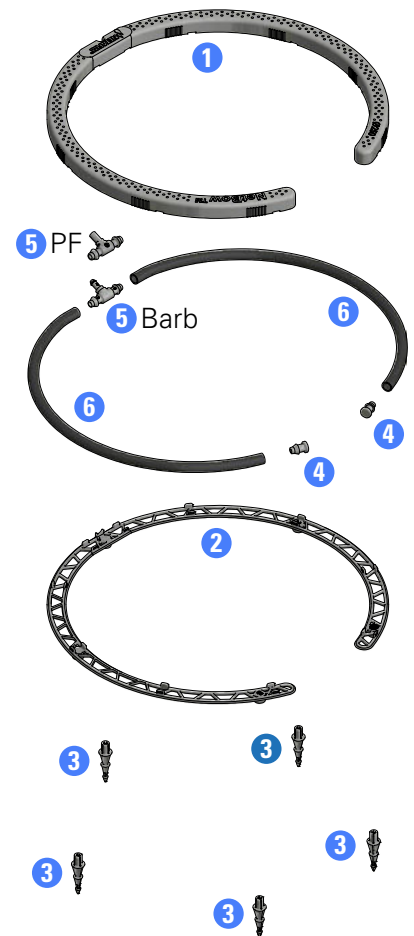
Order Details

Product order data

Product Description	Quantity per box (Units)	Box sizes (cm)	Box weight (Kg)	Boxes per pallet	Cat. No.
NetBow™ 25cm/10" 8 outlets, barb, grey	60	W 52 L 31.5 H 32	5.22	18	77470-000106
NetBow™ 25cm/10" 8 outlets, Press-Fit, grey					N/A

Spare parts

#	Part name	Description	Cat. No.
1	NetBow™ Cover	NetBow™ - 25cm/10" cover	77470-000102
2	NetBow™ Base	NetBow™ - 25cm/10" base	77470-000101
3	NetBow™ Spikes	NetBow™ - spike	77470-000103
4	NetBow™ Plug	NetBow™ - end plugs, 8 mm	77470-000104
5	NetBow™ T	NetBow™ - Tee 8X5X8 mm, barb	77470-000105
		NetBow™ - Tee 8X5X8 mm, PF	N/A
6	Microdrip Pipe	Microdrip 8 2.00l/h 0.08m 0.32m	77470-000108



Accessories

The NetBow™ can be connected directly by micro-tube to Netafim™ PC and PCJ online drippers equipped with a barb outlet, or to PC, PCJ online drippers and Uniram integral dripperlines with Dr. Zip, using one of the following Netafim™ adapters (to be ordered separately):

Product	Description	Units	Cat. No.	
Micro-tube Adapter barb - straight 3 X 5		Inlet: Female Press-Fit	1 unit	32000-001950
		Outlet: Barb, 3 X 5	50 units/bag	N/A
		Colored gray	100 units/bag	N/A
Micro-tube Adapter barb - straight 3 X 5		Inlet: Female Press-Fit	1 unit	32000-002000
		Outlet: Barb, 3 X 5	50 units/bag	32000-002010
		Colored brown	100 units/bag	32000-002020
Micro-tube Elbow adapter barb 3 X 5		Inlet: Female Press-Fit	1 unit	N/A
		Outlet: Barb, 3 X 5	50 units/bag	32000-002520
		Colored black	100 units/bag	32000-002525
Micro-tube Elbow adapter barb 3 X 5		Inlet: Female Press-Fit	1 unit	N/A
		Outlet: Barb, 3 X 5	50 units/bag	32000-002526
		Colored gray	100 units/bag	N/A
Soft PE micro-tube 3 X 5		Soft PE micro-tube bi-layer, gray outside, black inside	100 m length	40005-000202
			200 m length	40005-000201
			500 m length	40005-000200

For more information about Netafim's drippers see the drippers catalog at <http://www.netafim.com/irrigation-products-technical-materials>.

Author: Abed Masarwa, Product Management Dept., March 2020

GROW MORE WITH LESS

WWW.NETAFIM.COM