

Expandable Watering Timer

Important, please read!

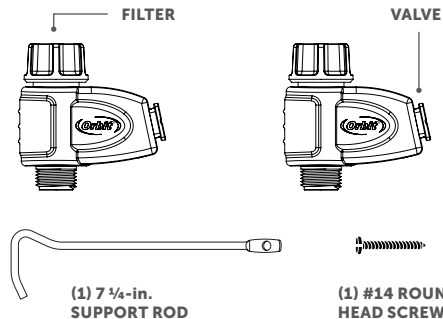
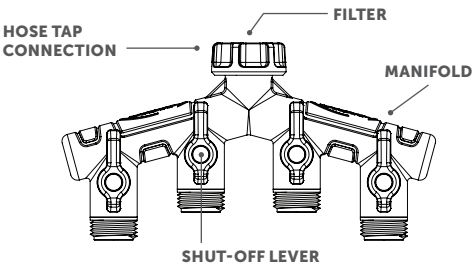
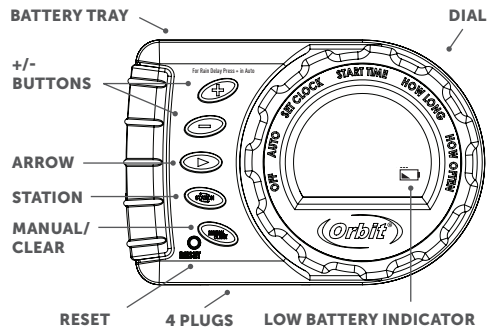


When expecting freezing temperatures, timers should be removed from the hose faucet and stored indoors to avoid potential freeze damage.



Filter traps dirt particles, prolonging life of timer. Clean filter regularly and replace if worn.

Product Features



DIAL—Rotate the dial to customize your watering schedule
+/- Buttons—Use these buttons to adjust time and program. While in AUTO press + to activate Rain Delay.
ARROW—Moves cursor around the screen during programming.
STATION—Moves between Station 1 - Station 4.
MANUAL/CLEAR—Press to water manually or to clear programming
RESET—Press to reset back to factory settings
OFF—Turn off all watering
AUTO—Timer waters according to your customized schedule
SET CLOCK—Set the time of day
START TIME—Select what time you would like to start watering
HOW LONG—Determine how long to water
HOW OFTEN—Choose how often you will water

Quick Start Guide

1. Attach manifold to an outdoor hose faucet.
2. Secure manifold to wall using the mounting hardware and instructions provided.
3. Attach up to 4 valves to the manifold outlets. Open fully each of the shut-offs with a valve attached.
4. Connect the wire from each valve to one of the numbered ports on the back of the timer.
5. Install two AA alkaline batteries into the battery tray (Remove the tray on the side of the timer by sliding or pulling it out.)

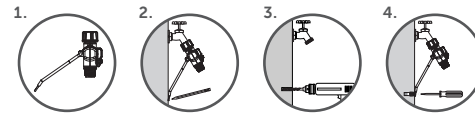
Note: Please ensure that the valves are attached to the timer before installing batteries. Once the batteries are installed the timer will immediately begin a start-up sequence noted on the screen by a circling icon.



6. Once the start-up sequence is complete; create your timer program.
7. Turn dial to AUTO
8. Slide timer onto a valve mounting bracket.
9. Turn on hose faucet.

Installation and Programming Instructions

Mounting the Manifold



1. Attach support rod to manifold by inserting it into the two mounting holes on the back of the manifold.
2. Mark where support rod touches the wall.
3. Drill a pilot hole using a 1/4-in. drill bit.
4. Attach the support rod using the screw provided.

Installing the Batteries

1. Attach up to 4 valves to the manifold outlets (the valves are electronically operated and must be attached to the timer for proper operation). Open fully each of the shut-offs with a valve attached.
2. Remove the plug and connect the wire from a valve to one of the numbered ports on the back of the timer. The numbers 1 through 4 are the "STATIONS" used while programming your timer. Attach up to 4 valves.
3. Remove the tray on the side of the timer by sliding or pulling it out.
4. Insert two AA (1.5V) alkaline batteries (not included) and replace the tray.

Note: Firmly replace the battery tray to ensure water resistance and increase battery life. You will know the battery tray is fully inserted if it does not pull out easily. Used up or dead batteries must be removed from the timer and disposed of properly. Replace batteries when low battery icon appears on display. Do not dispose of batteries in fire. Batteries may explode or leak.



5. Please ensure that the valves are attached to the timer before installing batteries. Once the batteries are installed the timer will immediately begin a start-up sequence noted on the screen by a circling icon.
6. Once the start-up sequence is complete you may begin programming.

Programming the Timer

Set Clock and Day



1. Turn dial to SET CLOCK.
2. Using the +/- buttons, set the time of day, including AM and PM. Timer advances faster if button is held down.
3. Press the ARROW button to set current day.
4. Press the +/- buttons to move between and select the current day of the week. Press the ARROW button to toggle back to the time of day.
5. Turn dial to save changes.

Start Time

A start time is the time of day that the timer will begin to water. This timer features three start times.



1. Turn dial to START TIME.
2. Press the ARROW button to move through and select a start time; A, B, or C.
3. Using the +/- buttons, set your first start time, including AM and PM. Timer advances faster if button is held down. A box is placed around each programmed start time.
4. Press the STATION button to move through and select stations; 1-4. Only stations with connected valves are shown. Press the + / - buttons to toggle a station on/off. A box is placed around each selected station.

Note: To remove a start time press CLEAR.

5. Repeat steps 2-4 to program additional start times.

Note: Only one start time is required.

6. Turn dial to save changes.

How Long



1. Turn dial to HOW LONG.
2. Press the STATION button to move through and select a station; 1-4. Only stations with connected valves are shown. A box is placed around each selected station.
3. Using the +/- buttons, select watering duration from 1 to 360 minutes for each desired station. Timer advances faster if button is held down.

Note: To remove a watering duration press CLEAR.

4. Turn dial to save changes.

How Often



1. Turn dial to HOW OFTEN.
2. Press the ARROW button to move through and select a start time A, B, and/or C.
3. Press + or - button to move the cursor down to select Days of the Week or Interval watering frequency.
4. There are two ways to set your watering frequency for each start time; Days of the Week or Interval.

Days of the week—Select specific days you want to water:

- Using the ARROW button move to the desired day.
- Press the + / - buttons to toggle the day of the week on/off.
- Select any combination of days.

Interval—Select an interval period you want to water:

- Using the ARROW button move to INT.
 - Press the + / - buttons to cycle through each interval. You may choose to interval water every 12 hours or 1 to 7 days.
5. Repeat steps 2 and 4 to program watering frequency for additional start times.
 6. Turn dial to AUTO.
 7. Slide timer onto a valve mounting bracket.
 8. Turn on hose faucet.

Congratulations!

Your timer is now programmed. Turn the dial to AUTO to allow your timer to water according to programmed time, station, duration, and frequency.

Add or Replace Valves

1. Turn off hose faucet.
2. Slide timer off of valve mounting bracket.
3. Attach up to 4 valves to the manifold outlets (the valves are electronically operated and must be attached to the timer for proper operation). Open fully each of the shut-offs with a valve attached.
4. Remove the plug and connect the wire from a valve to one of the numbered ports on the back of the timer. The numbers 1 through 4 are the "STATIONS" used while programming your timer. Attach up to 4 valves.
5. Turn the timer dial to OFF. Once the timer is OFF the timer will begin a start-up sequence noted on the screen by a circling icon.
6. Once the start-up sequence is complete you may begin programming the new valve(s).
7. When programming is complete turn the dial to AUTO to allow your timer to water according to programmed time, station, duration, and frequency.
8. Slide timer onto a valve mounting bracket.
9. Turn on hose faucet.

Additional Features

Rain Delay



Rain delay allows you to postpone watering for a set period of time. To access the rain delay, follow the steps below.

1. With the dial on AUTO, press the + button to select a delay of 1 to 7 days.
2. Screen will flash between clock and hours remaining before programmed cycle resumes.
3. To remove rain delay, turn dial to OFF and then back to AUTO.

Manual/Hand Watering



This feature allows you to manual water without interrupting your set schedule. To access this feature, follow the steps below.

1. There are two ways to manual water: all stations as programmed or selected stations.

To manual water all stations as programmed:

- With the dial on AUTO, press the MANUAL button.
- ALL will be displayed and the timer will water all stations as programmed.

To manual water specific stations or durations:

- With the dial on AUTO, press the MANUAL button.
- Press the ARROW button to move past the "ALL" selection.
- Press the STATION button to select desired station.
- Using the +/- buttons, select watering duration from 1 to 360 minutes.

Note: There may be a slight delay between the time the manual button is pressed and when watering begins.

2. Screen will flash between clock and time remaining before automatic programming resumes.
3. To stop manual watering, turn the dial to OFF.
4. Turn the dial back to AUTO to resume your programmed watering schedule.

Troubleshooting

Water does not come on at desired time.

Check if:

- Manifold shut-offs are fully open where valves are attached.
- Clock is set to correct time, including AM and PM.
- Dial is set to "Auto"
- Start time is set to desired time, including AM and PM.
- Rain Delay is on.

Timer does not water.

Check if:

- Manifold shut-offs are fully open where valves are attached.
- Timer is set to AUTO.
- Hose faucet is on.
- Batteries are low.
- Clock is set to correct time, including AM and PM.
- Rain Delay is on.

Water won't turn off.

Check if:

- HOW LONG is set to desired time.
- HOW OFTEN is set to desired interval hour or day.
- Valve was just added without start-up sequence.

Working water pressure:

- Minimum: 68 kPa
- Maximum: 689 kPa

Working temperature:

- Maximum: Do not exceed 49°C
- Minimum: Keep from freezing

Warnings:

For cold water outdoor irrigation use only.

Not for use on appliances.

Operates up to 100 psi



Customer Service
1-801-299-5555
orbitonline.com



Orbit® Irrigation Products, Inc.
North Salt Lake, UT 84054 USA

© 2015 Orbit Irrigation Products, Inc.
All rights reserved. All trade names are registered
trademarks of respective manufacturers listed.

PN 96783-24 rB