

U5KS

GREY WATER SUBMERSIBLE DRAINAGE PUMP

10/20mm* FREE PASSAGE



U5KS



FEATURES

- 10/20mm free passage.*
- Safe to run dry.
- Continuous operation.
- Low level pumping.
- Flushing device.
- Moisture sealed cable inlet.
- Built in level control.
- Max. head - 8m.
- Max. flow - 190lpm.

APPLICATIONS

- Domestic waste water (without faecal matter) such as from washing machines and dishwashers.
- Rainwater.
- Drainage; including flooded cellars and dirty water from sources such as garden ponds.
- Lightly polluted water.

* 20mm free passage possible when removable strainer has been detached.

PUMP CONSTRUCTION MATERIALS

Vertical, single-stage, submersible, foot strainer with 10mm free passage – detachable for activating low level pumping and allowing 20mm free passage. Spiral casing with 1¼" BSP (male) radial pressure branch, spiral casing with flushing device for drain cleaning, EIP technology hydraulics with open 5-blade impeller.

Pump casing:	Glass reinforced plastic
Impeller:	Glass reinforced plastic.
Wear plate:	Glass reinforced plastic.
Motor shaft:	304SS.
Mechanical seal:	Three-fold radial shaft seal ring incorporating an intermediate oil chamber.

OPERATING CONDITIONS

Drainage pump for the disposal of faecal free waste water, including rainwater, lightly polluted water and grey water containing particles up to 20mm*. Install pump vertically (hose connection possible).

pH range: >4,5 - <12.

ELECTRICAL DATA

Type	Type of current	Voltage ±10%	Frequency Hz	Motor rating kW		RPM min	Current ampere	Motor protection	Insulation class	IP Rating
				P1	P2					
U5KS	1-phase	230	50	0.52	0.38	2720	2.3	Auto	B	68

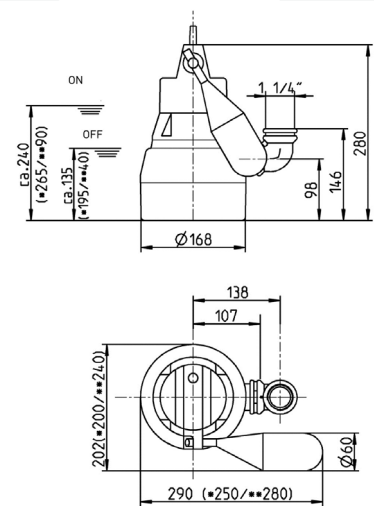
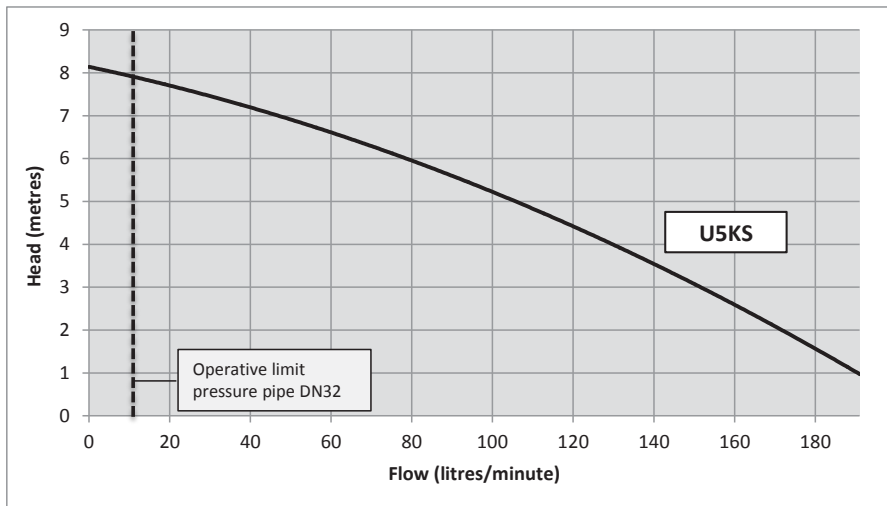
DIMENSIONS

Type	Maximum Height x Width x Depth	Discharge branch	Free passage	Cable quality	Cable length	Weight approx.	Continuous operating temperature range	Intermittent temperature maximum
U5KS	280 x 240 x 290 mm	1 1/4" BSP (male)	10/20 mm	H07RN-F	10 m	5.4 kg	0° - 35°	60°

PERFORMANCE

Type	P/No	Delivery head [m]	1	2	3	4	5	6	7	8
U5KS	JP44091	Flow rate [lpm]	191	171	150	131	108	79	43	6

PERFORMANCE CURVE



* with narrow float
** with low level



Head Office Pentair AU/NZ: 1-21 Monash Drive, Dandenong South, VIC 3175, Australia. www.pentair.com.au

All Pentair trademarks and logos are owned by Pentair, Ltd. All other brand or product names are trademarks or registered marks of their respective owners. Because we are continuously improving our products and services, Pentair reserves the right to change specifications without prior notice.

Pentair is an equal opportunity employer.

ABN 27 004 856 204 © 2012 Pentair, Ltd. All Rights Reserved.

© 2015 Pentair