

# Pinta Black Step Light with Eyelid

## PRODUCT SPECIFICATIONS

**Name:** Pinta

**Material:** Aluminium

**Colour:** Black

**CRI:** ≥80

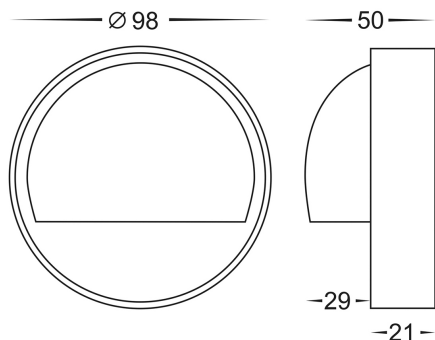
**IP Rating:** IP65

**Lamp Base:** G9, G4 or Built in LED

**Wiring:** Parallel

**Dimmable:** No

**Warranty:** 2 years replacement\*\*



PART NUMBER	COLOUR TEMP	LUMENS	INPUT VOLTAGE	BEAM ANGLE	INCLUDED GLOBES
HV2921	N/A	N/A	240v	N/A	G9 25w Max (not supplied with globes)
HV2922	N/A	N/A	12v	N/A	G4 20w Max not supplied with globes
HV2923T	3000K 4000K 5500K	160lm 170lm 180lm	240v	120°	2.3w Built in TRI Colour LED
HV2924T	3000K 4000K 5500K	160lm 170lm 180lm	12v DC	120°	2.3w Built in TRI Colour LED

12V models must be used with suitable 12v DC LED driver

\* Lumen output measured at source

\*\* See Warranty Terms and Conditions for more information

For more information contact Havit Lighting

ADDRESS:  
143 Beauchamp Road  
Matraville NSW 2036  
Australia

Tel: 02 9381 8300  
Fax: 02 9666 8881  
Email: sales@havit.com.au  
web: www.havit.com.au