

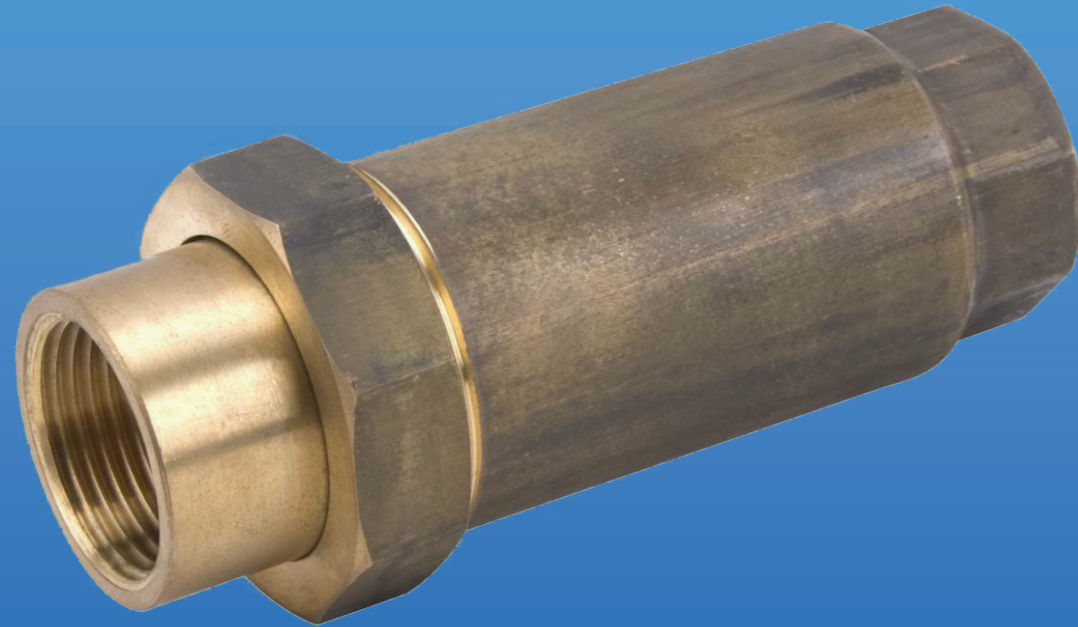


# DUAL CHECK VALVES



# DUAL CHECK VALVES

## DOV



### General

Dual Check Valves are utilized for protection from cross contamination of non potable water with potable water. They are used in low hazard conditions such as rain water tank systems and domestic meter connections.

### Features

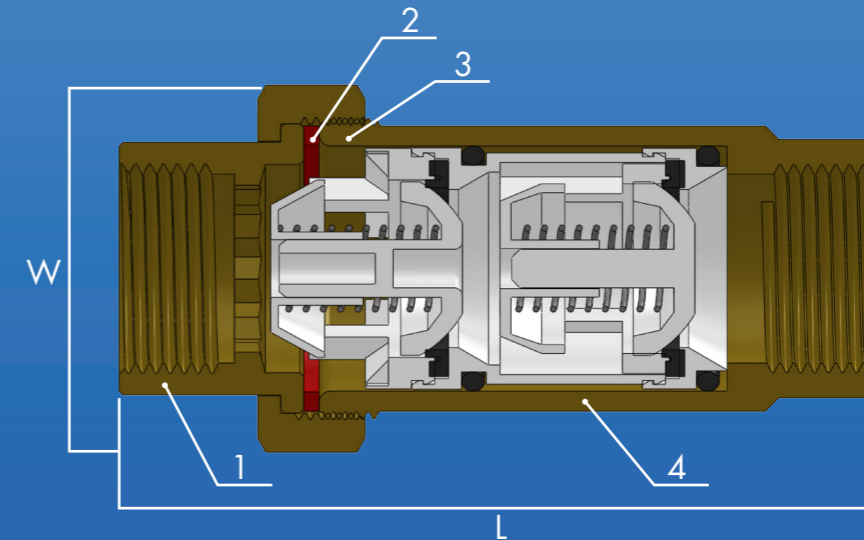
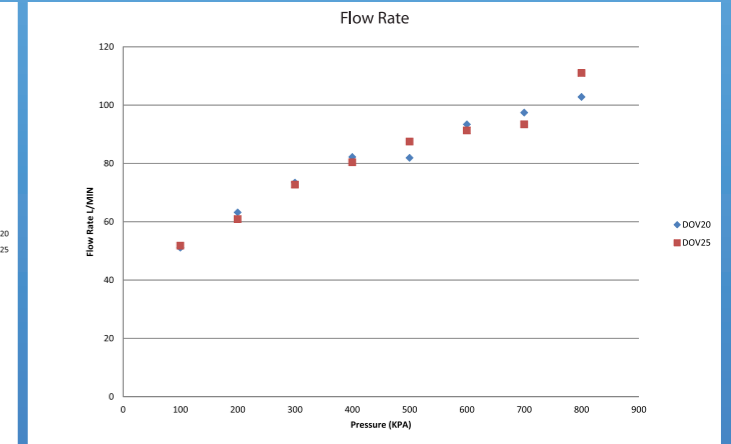
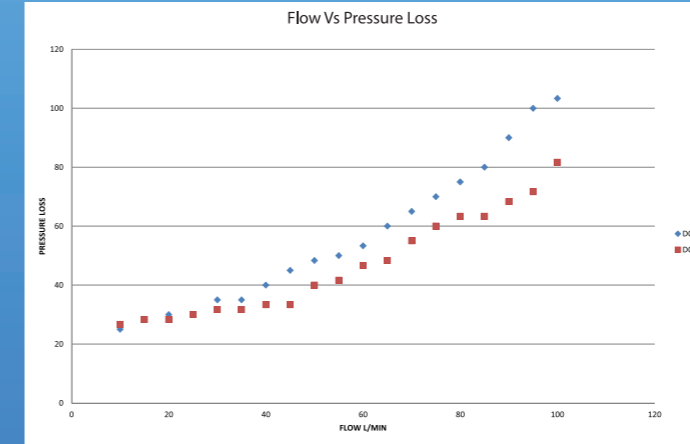
- DR Brass
- Double check valve assembly for better flow
- Compact design
- Protects against back flow and back siphonage
- Suitable for vertical or horizontal installations
- Watermark approved
- 100% factory tested for sealing operation

### Specifications

- Working temperature 0°C to 90°C
- Working pressure 60Kpa to 2000Kpa

### Installation

The Dual Check Valve should be installed to AS3500-1 and by a licensed plumber. \*Please flush lines to prevent any debris from entering check valves.



### Sizing Chart (MM)

Size	L	W
20MM	99	34
25MM	103	41

### Material Chart

Number	Part	Material
1	Body Nut	DR Brass
2	Washer	Fibre
3	Nut	DR Brass
4	Body	DR Brass