



PRESSURE REDUCTION VALVE



PRESSURE REDUCTION VALVE

PR20



Features

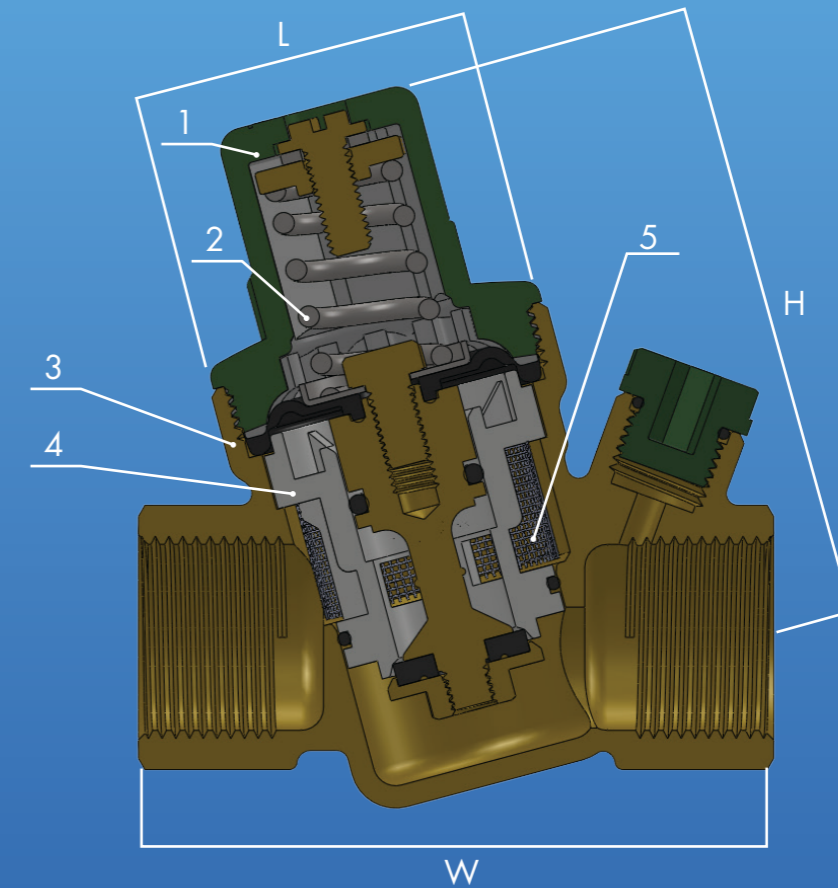
- DR Bass
- Watermark approved
- Excellent flow rate
- Protects appliances and heating systems
- Suitable for vertical or horizontal installations
- Internal strainer
- Replaceable cartridge
- Adjustable 100 - 600Kpa
- Factory set at 500Kpa
- Outlet for pressure gauge
- UV resistant cap

Specifications

- Pressure range 100 to 600Kpa
- Factory set at 500Kpa
- Maximum Inlet Pressure 1600Kpa
- Maximum temperature 60°C
- Flow rate 100L/Min at 700Kpa

General

Pressure Reduction Valves are fitted in water systems to moderate and stabilise mains water pressure, which is at times too high for domestic appliances. The valves are pre-set at 500Kpa which is the most widely used setting for domestic appliances. However the pressure reduction values can be easily adjusted to suit your needs from a range of 100Kpa to 600Kpa.



Installation

The pressure valve must be installed by a licensed plumber and in accordance with AS/NZS 3500 and relevant local requirements.

Sizing Chart (MM)

Code	H	L	W
PR20	83	46	84

Material Chart

Number	Part	Material
1	Cover	PA
2	Spring	Stainless Steel
3	Body	DR Brass
4	Cartridge	POM
5	Strainer	Stainless Steel