

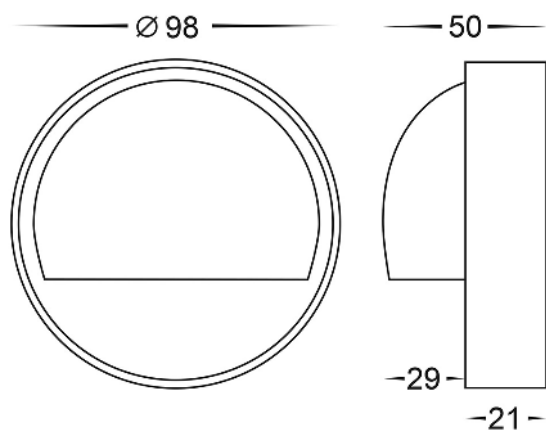
Aluminium Black Step Lights with Eyelid

PRODUCT SPECIFICATIONS

Name: Pinta
Material: Aluminium
Colour: Poly powder coated black
IP Rating: IP65
Lamp Base: G9, G4 or Built in LED
CRI: ≥80
Cable Length: 200mm (HV2923 + HV2924 only)
Wiring: Parallel
Dimmable: No
Warranty: 2 Years Replacement**



DIMENSIONS



COLOUR TEMPERATURE
Tri-Colour By Havit
3000K
4000K
5500K



Product Ordering

IMAGE	PART NUMBER	COLOURTEMP	LUMENS	INPUT	BEAM ANGLE	INCLUDED LED
	HV2921	N/A	N/A	240v AC	N/A	G9 25w Max No Globe Supplied
	HV2922	N/A	N/A	12v DC	N/A	G4 20w Max No Globe Supplied
	HV2923T	3000k 4000k 5500k	160lm 170lm 180lm	240v AC	120°	TRI Colour 2.3w Built in LED
	HV2924T	3000k 4000k 5500k	160lm 170lm 180lm	12v DC	120°	TRI Colour 2.3w Built in LED

12v DC models must be used with suitable 12v DC LED Driver

* Lumen output measured at source

** See Warranty Terms and Conditions for more information

For more information contact Havit Lighting

ADDRESS:
 143 Beauchamp Road
 Matraville NSW 2036
 Australia

Tel: 02 9381 8300
 Fax: 02 9666 8881
 Email: sales@havit.com.au
 web: www.havit.com.au