

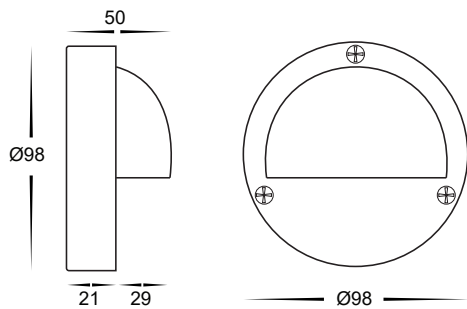
# Pinta Step Light Installation Instructions



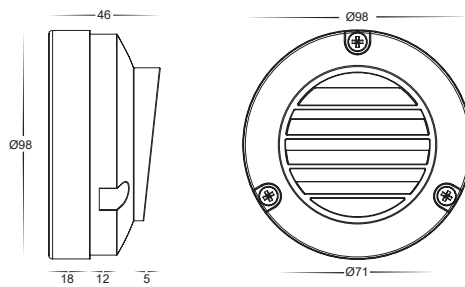
## Product Specifications

| Model No.        | HV2921               | HV2922          | HV2923T                          | HV2924T                          | HV2925T-12V                      |
|------------------|----------------------|-----------------|----------------------------------|----------------------------------|----------------------------------|
| Name             | Pinta                |                 |                                  |                                  |                                  |
| Material         | Aluminium            |                 |                                  |                                  |                                  |
| Colour           | Black                |                 |                                  |                                  |                                  |
| IP Rating        | IP65                 |                 |                                  |                                  |                                  |
| Input Voltage    | 240v AC              | 12v DC          | 240v AC                          | 12v DC                           | 12v DC                           |
| Protection Class | Ⓧ (Requires Earth)   | Ⓧ (Low Voltage) | Ⓧ (Requires Earth)               | Ⓧ (Low Voltage)                  | Ⓧ (Low Voltage)                  |
| Lamp Base        | G9                   | G4              | Built in LED                     | Built in LED                     | Built in LED                     |
| Lamp Wattage     | Max 25w              | Max 20w         | 1x 2.3w                          | 1x 2.3w                          | 1x 2.3w                          |
| Colour Temp      | No Globe Supplied    |                 | TRI Colour - 3000k, 4000k, 5500k | TRI Colour - 3000k, 4000k, 5500k | TRI Colour - 3000k, 4000k, 5500k |
| Lumens           | N/A                  |                 | 160lm, 170lm, 180lm              | 160lm, 170lm, 180lm              | 160lm, 170lm, 180lm              |
| CRI              | > 80                 |                 |                                  |                                  |                                  |
| Wiring           | Parallel             |                 |                                  |                                  |                                  |
| Dimmable         | No                   |                 |                                  |                                  |                                  |
| Warranty         | 3 Years Replacement* |                 |                                  |                                  |                                  |

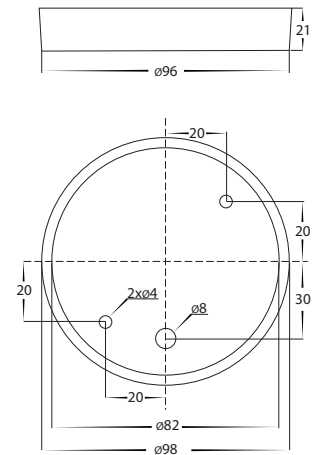
### HV2921-2-3-4 Dimensions



### HV2925 Dimensions



### Mounting Base



### Important Safety Issues:

- This product must be installed by a qualified electrician according to AS/NZS 3000.
- Ensure all electrical mains are disconnected before any installation.
- Do not exceed maximum wattage restrictions for globes: 240V G9 = 25w / 12V MR16 = 20w
- Modification of this product will void any warranty.
- Havit Lighting does not take responsibility for wrong installation, incorrect use, or use of installation material that does not belong to the system.
- When installing low voltage fittings, Voltage to fitting must be within +/- 5% of voltage required and cannot be installed more than 25m from LED Driver, if not within this allowance warranty will be voided.
- Aluminium and 304SS fittings must not be installed within 5km of any salt water environments.
- All o-rings and seals must be in place correctly to maintain warranty.
- These instructions may be updated at any time due to product improvements, Please visit website for most current installation instructions.

### Steps for Installation for HV2921 + HV2922 Models:

1. Make sure that the electrical circuit is free of voltage (master switch off)
2. Remove screws from front of fitting as set aside.
3. Install base plate in desired location, Seal all holes in the backing plate including cable entry and screw holes.
4. 240v Models - Use wire with earth; connect the earth first, then live and neutral wire
5. 12v DC Models - Using an appropriate 12v LED Driver or transformer - DO NOT CONNECT LIGHT FITTING DIRECTLY TO 240V  
Connect the cable into terminal block - Positive from cable run to positive of fitting then connect the neutral - If more than one fitting installed, wiring must be done in parallel.
6. Insert globe into fitting making sure globe does not exceed maximum wattage.
7. Reattach face onto fitting making sure seals are still in place and screws are tight to avoid water penetration into fitting
8. Apply silicon around edge of fitting to prevent any water from getting inside to electrical connections.
9. All connections must be carried out carefully, inspect all contacts before switching back on the electric circuit.

### Steps for Installation for HV2923 + HV2924 Models:

1. Make sure that the electrical circuit is free of voltage (master switch off)
2. Remove screws from front of fitting as set aside.
3. 240v Model - Use wire with earth; connect the earth first, then live and neutral wire
4. 12v DC Models - Using an appropriate 12v LED Driver - DO NOT CONNECT LIGHT FITTING DIRECTLY TO 240V
5. Connect the cable - If more than one fitting installed, wiring must be done in parallel.
6. Strip back the cable on both fitting and cable run and (for HV2903 - twist the earth cables together first) twist the positive cables together. Then connect neutral cables together
7. Solder all joints using solder and either a heat gun or butane gas torch.
8. Cover connections using an adhesive lined heat shrink or gel cap to make connection watertight. Failure to do this will void warranty.
9. Heat the heat shrink or crimp the gel cap making sure all connections are covered.
10. Install base plate in desired location, Seal all holes in the backing plate including cable entry and screw holes.
11. Fitting is preset to 3000k, To change move switch above PCB to desired colour temperature
12. Reattach face onto fitting making sure seals are still in place and screws are tight to avoid water penetration into fitting
13. Apply silicon around edge of fitting to prevent any water from getting inside to electrical connections.
14. All connections must be carried out carefully, inspect all contacts before switching back on the electric circuit.

## Must be installed by a licensed electrician

### Contact Details:

143 Beauchamp Road  
Matraville NSW 2036  
Australia  
Tel: 02 9381 8300  
Fax: 02 9666 8881  
Email: sales@havit.com.au  
Web: www.havit.com.au

### Warranty Terms & Conditions\*



### Additional Information

