

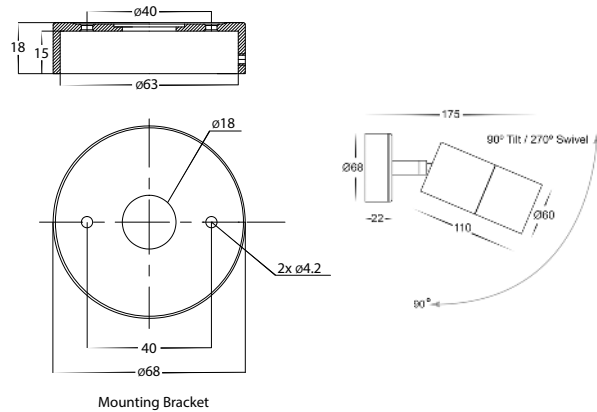
Tivah Single Adjustable 5w MR16 Installation Instructions



Product Specifications

Model No.	HV1207MR16T	HV1217MR16T	HV1227MR16T	HV1237MR16T	HV1247MR16T	HV1287MR16T	HV1297MR16T
Name	Tivah						
Material	316 Stainless Steel	Solid Copper	Aluminium	Aluminium	Aluminium	Aluminium	Solid Brass
Colour	Stainless Steel	Copper	Black	White	Silver	Titanium	Antique Brass
IP Rating	IP65						
Input Voltage	12v DC						
Lamp Base	MR16						
Lamp Wattage	5w						
Colour Temp	TRI Colour - 3000k, 4000k, 5500k						
Lumens	270lm, 285lm, 300lm						
CRI	> 80						
Wiring	Parallel						
Dimmable	No (with globe supplied)						
Warranty	2 Years Replacement*						

Dimensions:



Important Safety Issues:

- This product must be installed by a qualified electrician according to AS/NZS 3000.
- Ensure all electrical mains are disconnected before any installation.
- Do not exceed maximum wattage restrictions for globes:
240V GU10 = 35w / 12V MR16 = 20w
- Modification of this product will void any warranty.
- Havit Lighting does not take responsibility for wrong installation, incorrect use, or use of installation material that does not belong to the system.
- When installing low voltage fittings, Voltage to fitting must be within +or- 5% of voltage required and cannot be installed more than 25m from LED Driver, if not within this allowance warranty will be voided.
- Aluminium and 304SS fittings must not be installed within 2km of any salt water environments.
- When installing copper fittings, gloves must be worn to avoid any oils transferring to fitting.
- All 316 stainless steel fittings must have regular cleaning maintenance to avoid any tea staining from forming on fitting. (Warranty does not cover Tea Staining)
- All o-rings and seals must be in place correctly to maintain warranty.
- These instructions may be updated at any time due to product improvements, Please visit website for most current installation instructions.

Steps for Installation:

1. Make sure that the electrical circuit is free of voltage (master switch off)
2. Loosen allen screws on side of base and separate mounting bracket from fitting.
3. Install the backing plate securely using appropriate screws for application, Seal all holes in the backing plate including cable entry and screw holes. Failure to do so will void warranty.
4. Connect the cable - Connect live and neutral wire to a suitable 12v DC LED Driver - (DO NOT CONNECT DIRECTLY TO 240V POWER)
5. Affix the fitting to the mounting bracket and tighten allen screws, making sure these are tight to avoid any water penetration.
6. Apply silicon seal around the whole base plate to avoid any water getting into electrical connections.
7. Colour temperature and wattage is preset to 3000k, to change remove cover from fitting by twisting anti clockwise and set aside. Remove globe and select desired colour temperature by moving switch on side of globe and reinsert globe into lampholder.
8. Reattach cover by turning clockwise making sure the seals are still in place and caps are tight to avoid any water penetration.
9. Adjust fitting to desired position making sure to stop rotating when fitting cannot rotate anymore, If forced fitting will continue to rotate and cause internal cables to become entangled causing fitting to short. If this is done, warranty will be voided.
10. All connections must be carried out carefully, inspect all contacts before switching back on the electric circuit.

Steps for Changing Globe:

1. Remove the cover by twisting anti-clockwise and set aside, remove globe by also twisting anti-clockwise.
2. Re-insert the appropriate globe by inserting the 2 circular pins into the lampholder and twisting clockwise. (Make sure not to exceed max wattage, see product label for correct info)
3. Reattach cover by turning clockwise making sure the seals are still in place and caps are tight to avoid any water penetration.

Must be installed by a licensed electrician

Contact Details:

143 Beauchamp Road
Matraville NSW 2036
Australia
Tel: 02 9381 8300
Fax: 02 9666 8881
Email: sales@havit.com.au
Web: www.havit.com.au

Warranty Terms & Conditions*



Additional Information

