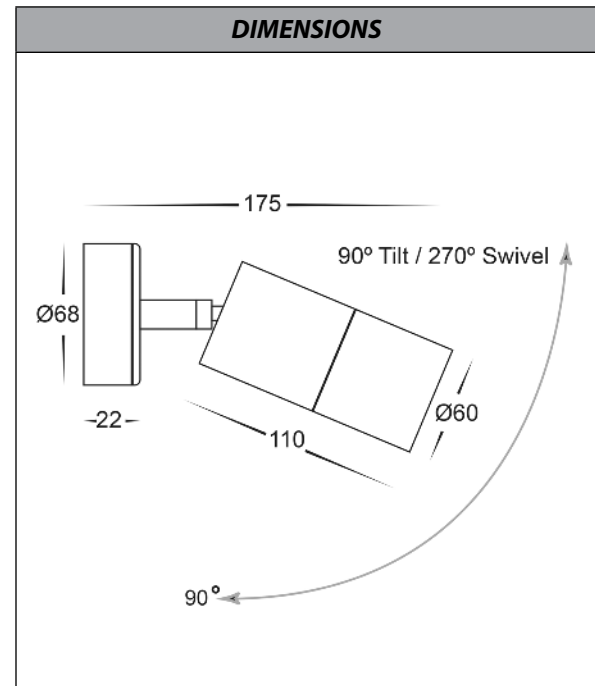
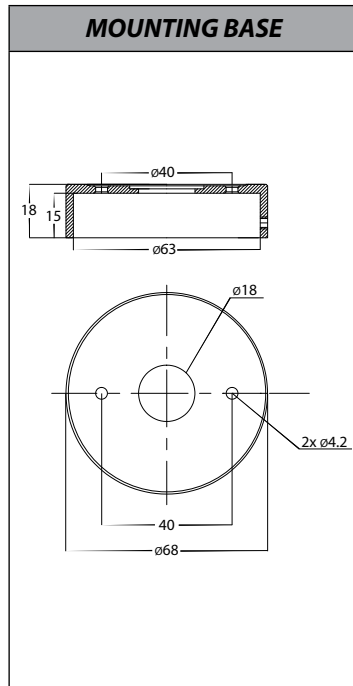


Tivah Aluminium Titanium Single Adjustable Wall Light

PRODUCT SPECIFICATIONS	
Name	Tivah
Material	Aluminium
Colour	Titanium
IP Rating	IP65
Lamp Base	GU10 or MR16
CRI	> 80
Wiring	Parallel
Dimmable	No - not with supplied globes
Warranty	2 Years Replacement



COLOUR TEMP	IP RATING	APPROVAL



OPTIONAL DIMMABLE GU10 GLOBES (sold seperately)

HV9555 Models

HV9506D

RECOMMENDED DIMMER FOR GU10 DIMMABLE GLOBES

HV9625

PART NUMBER	COLOUR TEMP	LUMENS	INPUT VOLTAGE	BEAM ANGLE	INCLUDED LED
HV1285T	3000K 4000K 5500K	240-560lm 255-595lm 270-640lm	240v AC	60°	9in1 TRI Colour 3/5/7w GU10 LED
HV1287GU10T	3000K 4000K 5500K	270lm 285lm 300lm	240v AC	120°	TRI Colour 5w GU10 LED
HV1287MR16T	3000K 4000K 5500K	270lm 285lm 300lm	12v DC	120°	TRI Colour 5w MR16 LED <small>(Must be used with a 12v DC LED Driver)</small>

For More Information Contact Havit Lighting

143 Beauchamp Road
Matraville NSW 2036
Australia

Tel: 02 9381 83000
Fax: 02 9666 888
Email: sales@havit.com.au
Web: www.havit.com.au



Warranty Terms & Conditions



Additional Information