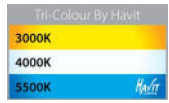


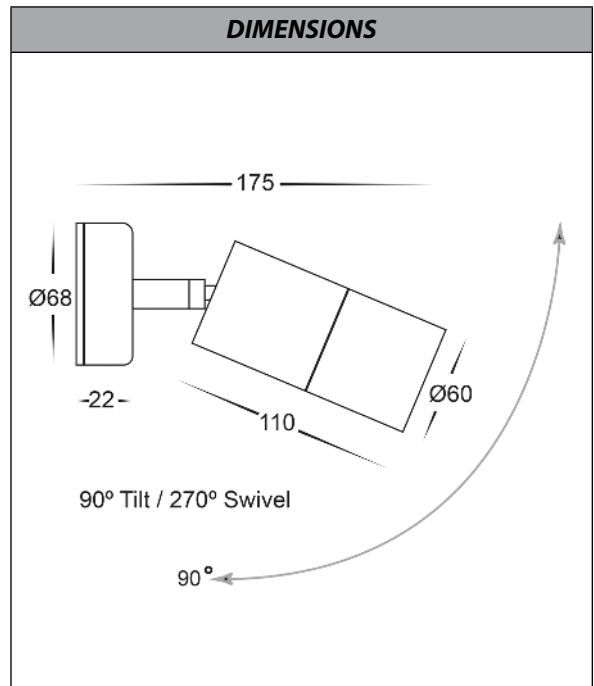
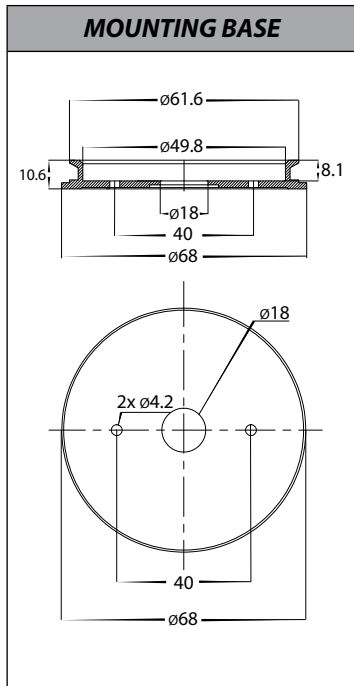


Tivah 316 Stainless Steel Single Adjustable Wall Light

PRODUCT SPECIFICATIONS	
Name	Tivah
Material	316 Stainless Steel
Colour	Stainless Steel
IP Rating	IP65
Lamp Base	GU10 or MR16
CRI	> 80
Wiring	Parallel
Dimmable	No - not with supplied globes
Warranty	2 Years Replacement






COLOUR TEMP 	IP RATING 	APPROVAL 
---	--	---



OPTIONAL DIMMABLE GU10 GLOBES (sold separately)

RECOMMENDED DIMMER FOR GU10 DIMMABLE GLOBES

PART NUMBER	COLOUR TEMP	LUMENS	INPUT VOLTAGE	BEAM ANGLE	INCLUDED LED
HV1205T	3000K 4000K 5500K	240-560lm 255-595lm 270-640lm	240v AC	60°	 9in1 TRI Colour 3/5/7w GU10 LED
HV1207GU10T	3000K 4000K 5500K	270lm 285lm 300lm	240v AC	120°	 TRI Colour 5w GU10 LED
HV1207MR16T	3000K 4000K 5500K	270lm 285lm 300lm	12v DC	120°	 TRI Colour 5w MR16 LED <small>(Must be used with a 12v DC LED Driver)</small>

For More Information Contact Havit Lighting

143 Beauchamp Road
Matraville NSW 2036
Australia

Tel: 02 9381 83000
Fax: 02 9666 888
Email: sales@havit.com.au
Web: www.havit.com.au



Warranty Terms & Conditions



Additional Information