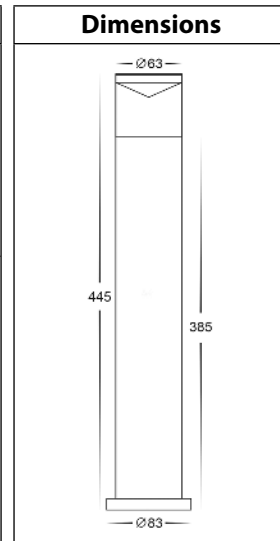
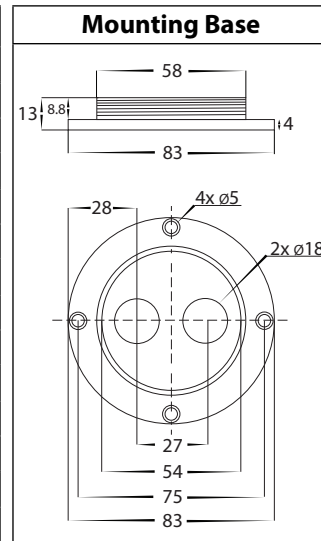


Highlite Bollard Light Installation Instructions



Product Specifications				
Model No.	HV1602T-AB	HV1602T-BLK	HV1602T-SS316	HV1602T-TTM
Name	Highlite			
Material	Solid Brass	Aluminium	316 Stainless Steel	Aluminium
Colour	Antique Brass	Black	Stainless Steel	Titanium
IP Rating	IP54			
Input Voltage	12v DC			
Lamp Base	MR16			
Lamp Wattage	1x 5w			
Colour Temp	TRI Colour - 3000k, 4000k, 5500k			
Lumens	270lm, 285lm, 300lm			
CRI	> 80			
Wiring	Parallel			
Dimmable	No			
Warranty	3 Years Replacement*			



Important Safety Issues:

- This product must be installed by a qualified electrician according to AS/NZS 3000.
- Ensure all electrical mains are disconnected before any installation.
- Modification of this product will void any warranty.
- Havit Lighting does not take responsibility for wrong installation, incorrect use, or use of installation material that does not belong to the system.
- When installing low voltage fittings, Voltage to fitting must be within +or- 5% of voltage required, if not within this allowance warranty will be voided.
- Aluminium and 304SS fittings must not be installed within 5km of any salt water environments.
- All 316 & 304 stainless steel fittings must have regular cleaning maintenance to avoid any tea staining from forming on fitting. (Warranty does not cover Tea Staining)
- All o-rings and seals must be in place correctly to maintain warranty
- When installing surface mounted bollards, base plate must be installed on concrete or concrete pad, Fitting should not be installed under ground level, all holes including cable entry must be siliconed to prevent any water penetration into fitting, silicone must also be applied around fitting at ground level. Failure to do this will void warranty
- This fitting can only be used with LED Globes.
- This form may be updated at any time due to product improvements, please check online installation form for most current version.

Steps for Installation:

1. Make sure that the electrical circuit is free of voltage (master switch off).
2. Remove baseplate from fitting by twisting anti clockwise.
3. Install baseplate in desired location using appropriate screws for application. The screws supplied are mild steel which must be replaced with higher grade if there is any chance of them being affected by water. The location of baseplate must be installed on either concrete or concrete base and cannot be installed under ground level.
4. If using extension piece, attach it to Bollard now by twisting clockwise until 2 pieces are completely together.
5. Use an appropriate 12v DC LED Driver - DO NOT CONNECT LIGHT FITTING DIRECT TO 240V
6. Strip back cable on both fittings and cable run and twist the positive cable from fitting to positive on the cable run, then connect neutral from fitting to neutral on the cable run.
7. Solder all joins using solder and either a heat gun or butane gas torch.
8. Cover connections using an adhesive lined heat shrink or gel cap to make connection watertight. Failure to do this will void warranty.
9. Heat the heat shrink or crimp the gel cap making sure all connections are covered.
10. Silicone all cable entry holes and fixing points on baseplate to avoid moisture penetration into fitting.
11. Affix the bollard to the baseplate by twisting clockwise until it stops.
12. Colour temperature is set to 3000K. To change, remove cap from fitting by twisting anti clockwise. Remove globe and select desired colour temperature by moving switch on side of globe and reinsert globe.
13. Attach cover by turning clockwise making sure the seals are still in place and caps are tight to avoid any water penetration.
14. All connections must be carried out carefully, inspect all contacts before switching back on the electric circuit.

Steps for Changing Globe:

1. Open the cover by twisting anti-clockwise and remove lamp by pulling on lamp.
2. Re-insert the appropriate globe by inserting the 2 pins into the lamp holder and pushing down until firmly in place. (Make sure not to exceed max wattage, see product label for correct info) - **Must be used with LED Globes only**
3. Attach covers by turning clockwise making sure the seals are still in place and caps are tight to avoid any water penetration.

Must be installed by a licensed electrician

Contact Details:	
143 Beauchamp Road Matraville NSW 2036 Australia	Tel: 02 9381 8300 Fax: 02 9666 8881 Email: sales@havit.com.au Web: www.havit.com.au

Warranty Terms & Conditions*

Additional Information